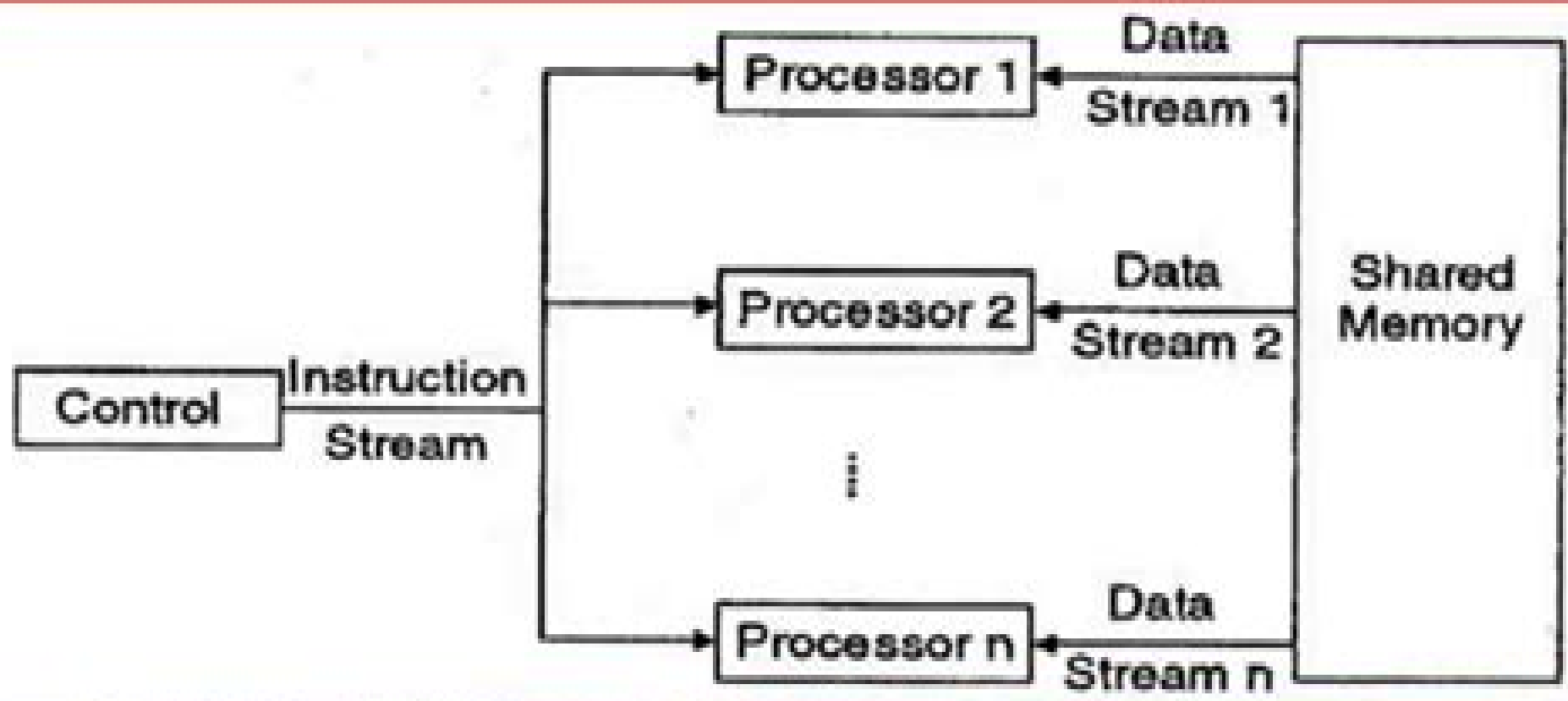


Parallel Processing



COMPUTER SCIENCE ACADEMY BY DINESH SIR



Computer Architecture And Parallel Processing

A Loxley



Computer Architecture And Parallel Processing:

Embark on a breathtaking journey through nature and adventure with Crafted by is mesmerizing ebook, **Computer Architecture And Parallel Processing** . This immersive experience, available for download in a PDF format (Download in PDF: *), transports you to the heart of natural marvels and thrilling escapades. Download now and let the adventure begin!

https://www.cruiselady.com/data/scholarship/index.jsp/breakthrough_illusion_corporate_americas_failure_to_move_from_innovation_to_mass_production.pdf

Table of Contents Computer Architecture And Parallel Processing

1. Understanding the eBook Computer Architecture And Parallel Processing
 - The Rise of Digital Reading Computer Architecture And Parallel Processing
 - Advantages of eBooks Over Traditional Books
2. Identifying Computer Architecture And Parallel Processing
 - Exploring Different Genres
 - Considering Fiction vs. Non-Fiction
 - Determining Your Reading Goals
3. Choosing the Right eBook Platform
 - Popular eBook Platforms
 - Features to Look for in an Computer Architecture And Parallel Processing
 - User-Friendly Interface
4. Exploring eBook Recommendations from Computer Architecture And Parallel Processing
 - Personalized Recommendations
 - Computer Architecture And Parallel Processing User Reviews and Ratings
 - Computer Architecture And Parallel Processing and Bestseller Lists
5. Accessing Computer Architecture And Parallel Processing Free and Paid eBooks
 - Computer Architecture And Parallel Processing Public Domain eBooks
 - Computer Architecture And Parallel Processing eBook Subscription Services
 - Computer Architecture And Parallel Processing Budget-Friendly Options

6. Navigating Computer Architecture And Parallel Processing eBook Formats
 - ePub, PDF, MOBI, and More
 - Computer Architecture And Parallel Processing Compatibility with Devices
 - Computer Architecture And Parallel Processing Enhanced eBook Features
7. Enhancing Your Reading Experience
 - Adjustable Fonts and Text Sizes of Computer Architecture And Parallel Processing
 - Highlighting and Note-Taking Computer Architecture And Parallel Processing
 - Interactive Elements Computer Architecture And Parallel Processing
8. Staying Engaged with Computer Architecture And Parallel Processing
 - Joining Online Reading Communities
 - Participating in Virtual Book Clubs
 - Following Authors and Publishers Computer Architecture And Parallel Processing
9. Balancing eBooks and Physical Books Computer Architecture And Parallel Processing
 - Benefits of a Digital Library
 - Creating a Diverse Reading Collection Computer Architecture And Parallel Processing
10. Overcoming Reading Challenges
 - Dealing with Digital Eye Strain
 - Minimizing Distractions
 - Managing Screen Time
11. Cultivating a Reading Routine Computer Architecture And Parallel Processing
 - Setting Reading Goals Computer Architecture And Parallel Processing
 - Carving Out Dedicated Reading Time
12. Sourcing Reliable Information of Computer Architecture And Parallel Processing
 - Fact-Checking eBook Content of Computer Architecture And Parallel Processing
 - Distinguishing Credible Sources
13. Promoting Lifelong Learning
 - Utilizing eBooks for Skill Development
 - Exploring Educational eBooks
14. Embracing eBook Trends
 - Integration of Multimedia Elements

- Interactive and Gamified eBooks

Computer Architecture And Parallel Processing Introduction

In this digital age, the convenience of accessing information at our fingertips has become a necessity. Whether its research papers, eBooks, or user manuals, PDF files have become the preferred format for sharing and reading documents. However, the cost associated with purchasing PDF files can sometimes be a barrier for many individuals and organizations. Thankfully, there are numerous websites and platforms that allow users to download free PDF files legally. In this article, we will explore some of the best platforms to download free PDFs. One of the most popular platforms to download free PDF files is Project Gutenberg. This online library offers over 60,000 free eBooks that are in the public domain. From classic literature to historical documents, Project Gutenberg provides a wide range of PDF files that can be downloaded and enjoyed on various devices. The website is user-friendly and allows users to search for specific titles or browse through different categories. Another reliable platform for downloading Computer Architecture And Parallel Processing free PDF files is Open Library. With its vast collection of over 1 million eBooks, Open Library has something for every reader. The website offers a seamless experience by providing options to borrow or download PDF files. Users simply need to create a free account to access this treasure trove of knowledge. Open Library also allows users to contribute by uploading and sharing their own PDF files, making it a collaborative platform for book enthusiasts. For those interested in academic resources, there are websites dedicated to providing free PDFs of research papers and scientific articles. One such website is Academia.edu, which allows researchers and scholars to share their work with a global audience. Users can download PDF files of research papers, theses, and dissertations covering a wide range of subjects. Academia.edu also provides a platform for discussions and networking within the academic community. When it comes to downloading Computer Architecture And Parallel Processing free PDF files of magazines, brochures, and catalogs, Issuu is a popular choice. This digital publishing platform hosts a vast collection of publications from around the world. Users can search for specific titles or explore various categories and genres. Issuu offers a seamless reading experience with its user-friendly interface and allows users to download PDF files for offline reading. Apart from dedicated platforms, search engines also play a crucial role in finding free PDF files. Google, for instance, has an advanced search feature that allows users to filter results by file type. By specifying the file type as "PDF," users can find websites that offer free PDF downloads on a specific topic. While downloading Computer Architecture And Parallel Processing free PDF files is convenient, its important to note that copyright laws must be respected. Always ensure that the PDF files you download are legally available for free. Many authors and publishers voluntarily provide free PDF versions of their work, but its essential to be cautious and verify the authenticity of the source before downloading Computer Architecture And Parallel Processing. In conclusion, the internet offers numerous platforms and websites that allow users to

download free PDF files legally. Whether its classic literature, research papers, or magazines, there is something for everyone. The platforms mentioned in this article, such as Project Gutenberg, Open Library, Academia.edu, and Issuu, provide access to a vast collection of PDF files. However, users should always be cautious and verify the legality of the source before downloading Computer Architecture And Parallel Processing any PDF files. With these platforms, the world of PDF downloads is just a click away.

FAQs About Computer Architecture And Parallel Processing Books

How do I know which eBook platform is the best for me? Finding the best eBook platform depends on your reading preferences and device compatibility. Research different platforms, read user reviews, and explore their features before making a choice. Are free eBooks of good quality? Yes, many reputable platforms offer high-quality free eBooks, including classics and public domain works. However, make sure to verify the source to ensure the eBook credibility. Can I read eBooks without an eReader? Absolutely! Most eBook platforms offer web-based readers or mobile apps that allow you to read eBooks on your computer, tablet, or smartphone. How do I avoid digital eye strain while reading eBooks? To prevent digital eye strain, take regular breaks, adjust the font size and background color, and ensure proper lighting while reading eBooks. What the advantage of interactive eBooks? Interactive eBooks incorporate multimedia elements, quizzes, and activities, enhancing the reader engagement and providing a more immersive learning experience. Computer Architecture And Parallel Processing is one of the best book in our library for free trial. We provide copy of Computer Architecture And Parallel Processing in digital format, so the resources that you find are reliable. There are also many Ebooks of related with Computer Architecture And Parallel Processing. Where to download Computer Architecture And Parallel Processing online for free? Are you looking for Computer Architecture And Parallel Processing PDF? This is definitely going to save you time and cash in something you should think about.

Find Computer Architecture And Parallel Processing :

[breakthrough illusion corporate americas failure to move from innovation to mass production](#)

[breve historia economica argentina s1819](#)

breakthrough spanish activity practice for beginners breakthrough activity series

[breaking down barriers through communication](#)

break of dark

breakthrough therapies crystal acupuncture

brevets et design le guide

breathing underwater spirituality and the 12 steps - audio cassette audio

breath of the desert the account of a job

bridle the wind

break the smoking habit

brief halt at mile 50

brides lifetime guide to good food and entertaining

breastfeeding special care babies

bridges of summer

Computer Architecture And Parallel Processing :

Earth Science - 1st Edition - Solutions and Answers Our resource for Earth Science includes answers to chapter exercises, as well as detailed information to walk you through the process step by step. With Expert ... McDougal Littell Earth Science Textbook Solutions & ... Get your McDougal Littell Earth Science homework done with Quizlet! Browse through thousands of step-by-step solutions to end-of-chapter ... Earth Science New York Regents Review Answer Key ... Amazon.com: Earth Science New York Regents Review Answer Key Grades 9-12 (Mcdougal Littell Earth Science): 9780618798117: Mcdougal Littell: Books. Earth Science Textbook Answers Browse bartleby's library of Earth Science textbooks to find answers to your specific homework questions. Have Earth Science homework questions? Mcdougal Littell Earth Science Test Book with Answers (03 ... Mcdougal Littell Earth Science Test Book with Answers (03,05) used for 0618499385 (1bk) · \$69.00 USD · Share this item by email. Earth Science Assessments Answer Key, 5th ed. Nov 15, 2019 — Provides over-print answers as teachers assess their students' knowledge and understanding of key concepts. Physical science interactive science textbook answers Interactive Textbook Answer Key 33 Earth Science Earth Science Answer ... Mcdougal Littell Earth Science Textbook Answers. Jan 09, 2022 ... Physical science interactive science textbook answers - iwd3.de Mcdougal Littell Earth Science Textbook Answers. LearnDataSci is reader-supported. Standards-aligned science lessons — Cover core standards in 1-2 hours of ... Holt Earth Science Textbook Answers Holt Earth Science Textbook Answers. Holt Earth Science Textbook Answers Discover all in Bartleby's homework solutions you need for the textbooks you have. THE GLASS MENAGERIE, [MUSIC: 'THE GLASS MENAGERIE' UNDER FAINTLY. Lightly.] Not one gentleman ... [MUSIC: ' THE GLASS MENAGERIE'". He stretches out his hand.] Oh, be careful - if ... The Glass Menagerie book script of the play. [SCREEN LEGEND: 'OÙ SONT LES NEIGES."'] There was young Champ Laughlin who later became vice-president of the Delta Planters. Bank. The Glass

Menagerie - Tennessee Williams (AMANDA exits through living-room curtains. TOM is left with LAURA. He stares at her stupidly for a moment. Then he crosses to shelf holding glass menagerie. The Glass Menagerie Amanda Wingfield is a faded, tragic remnant of Southern gentility who lives in poverty in a dingy St. Louis apartment with her son, Tom, and her daughter, ... The Glass Menagerie When Amanda convinces Tom to bring home from his workplace a "gentleman caller" for Laura, the illusions that Tom, Amanda, and Laura have each created in order ... The Glass Menagerie Text Scene 1: The Wingfield apartment is in the rear of the building, one of those vast hive-like conglomerations of cellular living-units that flower as. Tennessee Williams - The Glass Menagerie (Scene 3) LEGEND ON SCREEN: 'AFTER THE FIASCO' [TOM speaks from the fire-escape landing.] TOM: After the fiasco at Rubicam's Business College, the idea of getting a ... "The Glass Menagerie," Scene One and Scene Two, by ... 41 Scene 1. 352 The Wingfield apartment is in the rear of the building, one of those vast hive-like conglomerations of cellular living-units that flower as ... Tennessee Williams - The Glass Menagerie (Scene 7) A moment after the curtain rises, the lights in both rooms flicker and go out.] JIM: Hey, there, Mr Light Bulb ! [AMANDA laughs nervously. LEGEND: 'SUSPENSION ... The Glass Menagerie: Acting Edition: Tennessee Williams A new introduction by the editor of The Tennessee Williams Annual Review, Robert Bray, reappraises the play more than half a century after it won the New York ... Practice for the Kenexa Prove It Accounting Test - JobTestPrep Kenexa Prove It Accounts Payable Test - This test examines the knowledge of an accounts payable clerk or an officer who has the responsibility of processing ... Kenexa Assessment Prep - Prove It Tests Pack - JobTestPrep Prepare for your Excel, Word, Accounting, Typing, and Data Entry Kenexa Assessment (Prove It Tests) with JobTestPrep's practice tests. Start practicing now! Kenexa Prove It (2024 Guide) - Test Types The candidate may be asked the following questions: 1. Accounts Payable. Two sub-contractors have given their costs for the previous month. They have given ... Free Kenexa Prove It! Tests Preparation Kenexa Prove It Accounting test gauges your skills in accounting and includes ... Account Receivable Test, Bookkeeping Test, Account Payable Test and many more. Preparing for the Kenexa Prove It Accounting Test with ... This test, which covers a broad range of topics from basic bookkeeping to complex accounting principles, is vital for skill verification and determining job ... IBM Kenexa Prove It Test (2023 Study Guide) These tests will include the following: Accounts Payable (processing invoices and checks); Accounts Receivable (billing, cash flow, payments); Accounts ... Kenexa Prove It Tests: Free Practice & Tips - 2023 Each test consists of around forty multiple choice questions. The accounts payable test evaluates a candidate's ability to process invoices, purchasing orders, ... Accounts Payable Quiz and Test Accounts Payable Practice Quiz Questions with Test. Test your knowledge with AccountingCoach, providing free quizzes and lectures on accounting and ... Accounts payable assessment | Candidate screening test This screening test uses practical, scenario-based questions that ask candidates to solve issues that regularly come up when handling accounts payable, such as ...