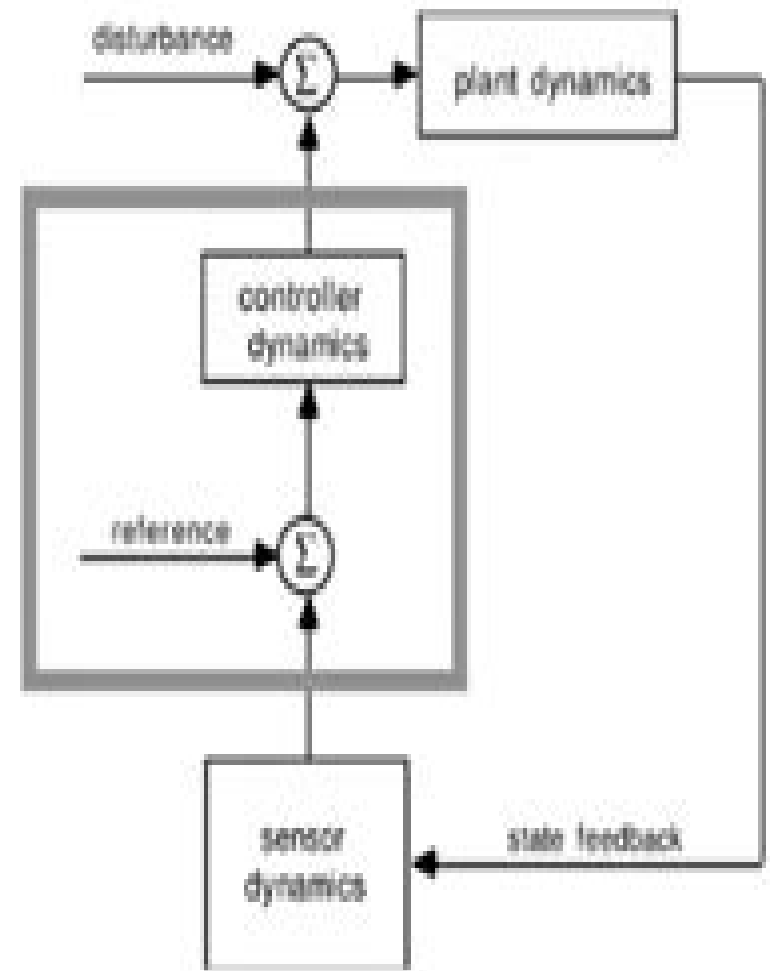
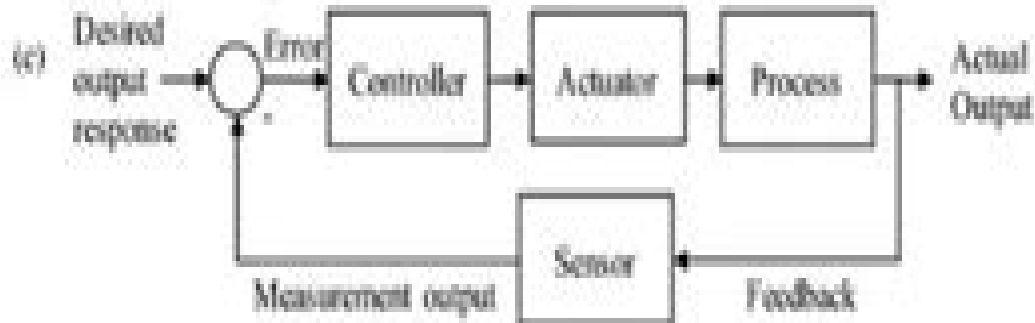
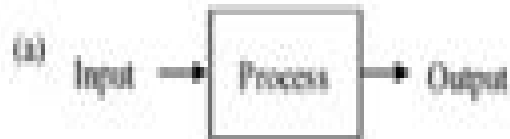


# What is Control Engineering?



**Electrical 4 U**

# Control Systems Engineering

**I.J. Nagrath**



## **Control Systems Engineering:**

**System Control Engineering: What Is Control Systems Engineering?** Pierre Bobeck,2021-12-14 Control engineering is the engineering discipline that focuses on the modeling of a diverse range of dynamic systems e g mechanical systems and the design of controllers that will cause these systems to behave in the desired manner In most cases control engineers utilize feedback when designing control systems This book may give you System Control Engineering What Is Control Systems Engineering Modern Control Engineering What Skills Does A Control System Engineer Require Remote Control Engineering Car What Does A Control Systems Engineering Company Do Control Systems Engineering Norman S. Nise,2000-02-22 Motivate Students with Real World Control Systems Emphasizing the practical application of control systems engineering this 3rd edition with its updated contents will motivate students to learn how to analyze and design feedback control systems that support today s advanced technology Motivation is obtained through clear and complete explanations of how to design real world systems Topics are presented in a logical and progressive way that builds and supports understanding Whenever possible new concepts are first presented from a qualitative perspective to help students gain the insight needed to develop sound designs Next a detailed discussion of quantitative tools gives readers the ability to design parameters and configurations for systems they will encounter during their career And with the use of MATLAB r students will find out how to apply the latest computer methods to the analysis and design of control systems Key Features of the Third Edition Case studies using the same system progressively are integrated throughout the text to provide students with a realistic view of each stage of the control system design process A methodology with clearly defined steps is presented for each type of design problem Numerous in chapter examples and skill assessment exercises as well as end of chapter review questions and problems including a progressive analysis and design problem that uses the same system are provided An introduction to state space methods of analysis and design is included These sections are clearly marked and can be taught along with classical methods taught separately or skipped without loss of continuity Tutorials are provided on how to use MATLAB r the Control System Toolbox Simulink r and the Symbolic Math Toolbox to analyze and design control systems Also included are tutorials on how to use two MATLAB r graphical user interface GUI design and analysis tools the LTI Viewer and the Root Locus Design GUI All tutorials and MATLAB r code are contained in the text s appendices so as not to detract from the teaching of control systems engineering principles References to these appendices are provided at appropriate places in the text An accompanying CD ROM provides valuable additional material such as stand alone computer applications electronic files of the text s computer programs for use with MATLAB r additional appendices and solutions to skill assessment exercises Illustrations from the book in the form of electronic files are available at <http://www.wiley.com/college/nise> **Control Systems Engineering and Design** S. Thompson,1989 Nise's Control Systems Engineering Norman S. Nise,2017-08-25 *Control Systems Engineering* S. K. Bhattacharya,2008-09 Control Systems Engineering is a

comprehensive text designed to cover the complete syllabi of the subject offered at various engineering disciplines at the undergraduate level. The book begins with a discussion on open loop and closed loop control systems. The block diagram representation and reduction techniques have been used to arrive at the transfer function of systems. The signal flow graph technique has also been explained with the same objective. This book lays emphasis on the practical applications along with the explanation of key concepts.

**Control Systems Engineering, EMEA Edition** Norman S. Nise, 2019-01-07 Highly regarded for its accessibility and focus on practical applications. Control Systems Engineering offers students a comprehensive introduction to the design and analysis of feedback systems that support modern technology. Going beyond theory and abstract mathematics to translate key concepts into physical control systems design, this text presents real world case studies, challenging chapter questions and detailed explanations with an emphasis on computer aided design. Abundant illustrations facilitate comprehension with over 800 photos, diagrams, graphs and tables designed to help students visualize complex concepts. Multiple experiment formats demonstrate essential principles through hypothetical scenarios, simulations and interactive virtual models while Cyber Exploration Laboratory Experiments allow students to interface with actual hardware through National Instruments myDAQ for real world systems testing. This emphasis on practical applications has made it the most widely adopted text for core courses in mechanical, electrical, aerospace, biomedical and chemical engineering. Now in its eighth edition, this top selling text continues to offer in depth exploration of up to date engineering practices.

**Control Systems Engineering** William John Palm, 1986. An up to date text designed for undergraduate courses in control systems engineering and principles of automatic controls. Focuses on design and implementation rather than just the mathematics of control systems. Using a balanced approach, the text presents a unified energy based approach to modeling, covers analysis techniques for the models presented and offers a detailed study of digital control and the implementation of digital controllers. Includes examples and homework problems.

**Basic Control Systems Engineering** Paul H. Lewis, Chang Yang, 1997. Realistic examples are used throughout the text to illustrate the presentation of control systems engineering. By employing the capabilities of today's computers and programming techniques, the authors describe methodologies for reducing computational difficulties and improving insight into various areas of study. Coverage addresses the needs of practising engineers by including such topics as the simulation of commonly observed nonlinear phenomena and the design of discrete event control systems.

**Introduction to Control Systems** Davinder K. Anand, R. B. Zmood, 1995. Since the second edition of this classic text for students and engineers appeared in 1984, the use of computer aided design software has become an important adjunct to the study of control system analysis and design. With this in mind, the entire text has been recast, enlarged and updated. In addition, the scope of the book has been extended so that it is suitable for students of mechanical and electrical engineering as well as other students of control systems. Many of the classical analytical and graphical techniques have been retained because of their important conceptual role in understanding control system design.

although the use of computer techniques in their application is encouraged and emphasized The concept of a system  $S$  has been highlighted in the text and various mathematical representations of it by the transfer function and State equation are carefully examined in early chapters In discussing feedback control the concept of robustness is introduced as a means of studying the effect of parameter variation upon system performance Two new chapters on control strategies and plant sizing and on adaptive control have been added The chapters on control system design discrete time control and non linear control systems have been considerably expanded to cover such matters as pole placement design using state space methods digital compensators and Popov stability methods of analysis Dr D K Anand is both a Professor and Chairman of the Department of Mechanical Engineering at the University of Maryland USA Dr Anand has consulted widely in systems analysis for the US Government and for industry and is a prominent author on control and engineering subjects Dr R B Zmood is the Control Discipline Leader in the Department of Electrical Engineering at Royal Melbourne Institute of Technology Australia He has consulted widely both in Australia and in the USA on the industrial and military applications of control systems

**Control Systems Engineer Technical Reference Handbook** Chuck Cornell,2012-01-01 The Control Systems Engineer Technical Reference Handbook is a practical exam focused reference designed for both aspiring and practicing instrumentation automation and electrical engineers It organizes essential engineering topics aligned with the Control Systems Engineering CSE Professional Engineering exam This handbook covers fundamental mathematics and physics refreshers measurement and sensor technologies such as temperature flow level and analytical instruments signals and networking including cabling protocols and fieldbuses final control elements motors control system design and documentation loop tuning alarm management safety systems and applicable codes and standards Additionally it explains uninterrupted power supply UPS topologies and provides numerous diagrams tables formulas and real world examples Ideal for students preparing for the CSE PE exam and professionals seeking a compact field reference the book combines concise theory with practical guidance and recommended resources

**CONTROL SYSTEMS ENGINEERING.** S. SALIVAHANAN,2017 [Control Systems Engineering](#) I.J. Nagrath,2006 The Book Provides An Integrated Treatment Of Continuous Time And Discrete Time Systems For Two Courses At Undergraduate Level Or One Course At Postgraduate Level The Stress Is On The Interdisciplinary Nature Of The Subject And Examples Have Been Drawn From Various Engineering Disciplines To Illustrate The Basic System Concepts A Strong Emphasis Is Laid On Modeling Of Practical Systems Involving Hardware Control Components Of A Wide Variety Are Comprehensively Covered Time And Frequency Domain Techniques Of Analysis And Design Of Control Systems Have Been Exhaustively Treated And Their Interrelationship Established Adequate Breadth And Depth Is Made Available For A Second Course The Coverage Includes Digital Control Systems Analysis Stability And Classical Design State Variables For Both Continuous Time And Discrete Time Systems Observers And Pole Placement Design Liapunov Stability Optimal Control And Recent Advances In Control Systems Adaptive Control Fuzzy Logic Control Neural Network Control Salient Features

State Variables Concept Introduced Early In Chapter 2 Examples And Problems Around Obsolete Technology Updated New Examples Added Robotics Modeling And Control Included Pid Tuning Procedure Well Explained And Illustrated Robust Control Introduced In A Simple And Easily Understood Style State Variable Formulation And Design Simplified And Generalizations Built On Examples Digital Control Both Classical And Modern Approaches Covered In Depth A Chapter On Adaptive Fuzzy Logic And Neural Network Control Amenable To Undergraduate Level Use Included An Appendix On Matlab With Examples From Time And Frequency Domain Analysis And Design Included

**Control System Engineering** Uday A. Bakshi, Varsha U. Bakshi, 2020-11-01 The book is written for an undergraduate course on the Feedback Control Systems It provides comprehensive explanation of theory and practice of control system engineering It elaborates various aspects of time domain and frequency domain analysis and design of control systems Each chapter starts with the background of the topic Then it gives the conceptual knowledge about the topic dividing it in various sections and subsections Each chapter provides the detailed explanation of the topic practical examples and variety of solved problems The explanations are given using very simple and lucid language All the chapters are arranged in a specific sequence which helps to build the understanding of the subject in a logical fashion The book starts with explaining the various types of control systems Then it explains how to obtain the mathematical models of various types of systems such as electrical mechanical thermal and liquid level systems Then the book includes good coverage of the block diagram and signal flow graph methods of representing the various systems and the reduction methods to obtain simple system from the analysis point of view The book further illustrates the steady state and transient analysis of control systems The book covers the fundamental knowledge of controllers used in practice to optimize the performance of the systems The book emphasizes the detailed analysis of second order systems as these systems are common in practice and higher order systems can be approximated as second order systems The book teaches the concept of stability and time domain stability analysis using Routh Hurwitz method and root locus method It further explains the fundamentals of frequency domain analysis of the systems including co relation between time domain and frequency domain The book gives very simple techniques for stability analysis of the systems in the frequency domain using Bode plot Polar plot and Nyquist plot methods It also explores the concepts of compensation and design of the control systems in time domain and frequency domain The classical approach loses the importance of initial conditions in the systems Thus the book provides the detailed explanation of modern approach of analysis which is the state variable analysis of the systems including methods of finding the state transition matrix solution of state equation and the concepts of controllability and observability The variety of solved examples is the feature of this book which helps to inculcate the knowledge of the design and analysis of the control systems in the students The book explains the philosophy of the subject which makes the understanding of the concepts very clear and makes the subject more interesting

*Sourcebook Of Control Systems Engineering* Louis C. Westphal, 2012-12-06 This book joins the multitude of Control

Systems books now available but is neither a textbook nor a monograph Rather it may be described as a resource book or survey of the elements essentials of feedback control systems The material included is a result of my development over a period of several years of summaries written to supplement a number of standard textbooks for undergraduate and early post graduate courses Those notes plus more work than I care right now to contemplate are intended to be helpful both to students and to professional engineers Too often standard textbooks seem to overlook some of the engineering realities of roughly how much things cost or how big of hardware for computer programs for simple algorithms are sensing and actuation of special systems such as PLCs and PID controllers of the engineering of real systems from coverage of SISO theories and of the special characteristics of computers their programming and their potential interactions into systems In particular students with specializations other than control systems are not being exposed to the breadth of the considerations needed in control systems engineering perhaps because it is assumed that they are always to be part of a multicourse sequence taken by specialists The lectures given to introduce at least some of these aspects were more effective when supported by written material hence the need for my notes which preceded this book

*Handbook of Control Systems Engineering* Louis C. Westphal, 2001-10-31 This book is a revision and extension of my 1995 Sourcebook of Control Systems Engineering Because of the extensions and other modifications it has been retitled Handbook of Control Systems Engineering which it is intended to be for its prime audience advanced undergraduate students beginning graduate students and practising engineers needing an understandable review of the field or recent developments which may prove useful There are several differences between this edition and the first Two new chapters on aspects of nonlinear systems have been incorporated In the first of these selected material for nonlinear systems is concentrated on four aspects showing the value of certain linear controllers arguing the suitability of algebraic linearization reviewing the semi classical methods of harmonic balance and introducing the nonlinear change of variable technique known as feedback linearization In the second chapter the topic of variable structure control often with sliding mode is introduced Another new chapter introduces discrete event systems including several approaches to their analysis The chapters on robust control and intelligent control have been extensively revised Modest revisions and extensions have also been made to other chapters often to incorporate extensions to nonlinear systems

*Handbook of Control Systems Engineering* Louis C. Westphal, 2012-12-06 This book is a revision and extension of my 1995 Sourcebook of Control Systems Engineering Because of the extensions and other modifications it has been retitled Handbook of Control Systems Engineering which it is intended to be for its prime audience advanced undergraduate students beginning graduate students and practising engineers needing an understandable review of the field or recent developments which may prove useful There are several differences between this edition and the first Two new chapters on aspects of nonlinear systems have been incorporated In the first of these selected material for nonlinear systems is concentrated on four aspects showing the value of certain linear controllers arguing the suitability of algebraic

linearization reviewing the semi classical methods of harmonic balance and introducing the nonlinear change of variable technique known as feedback linearization In the second chapter the topic of variable structure control often with sliding mode is introduced Another new chapter introduces discrete event systems including several approaches to their analysis The chapters on robust control and intelligent control have been extensively revised Modest revisions and extensions have also been made to other chapters often to incorporate extensions to nonlinear systems

Control System Engineering  
Norman S. Nise,1998-01-15 The Second Edition of Control Systems Engineering provides a clear and thorough introduction to controls Designed to motivate readers understanding the text emphasizes the practical application of systems engineering to the design and analysis of feedback systems In a rich pedagogical style Nise motivates readers by applying control systems theory and concepts to real world problems The text s updated content teaches readers to build control systems that can support today s advanced technology

**Control Systems Engineering Exam Reference Manual** Bryon D. Lewis,2019-10-01 Are you preparing to take the NCEES PE Control System Engineer examination Review essential topics in process control systems with the Control Systems Engineering Exam Reference Manual A Practical Study Guide now in its fourth edition This comprehensive manual helps to prepare the experienced engineer or designer to pass the PE exam with a specialization in Control System Engineering In addition to covering a broad range of subjects including electrical mechanical and chemical engineering it also includes practical example problems required state and federal codes standard documentation and design practices using real world plant examples Author Bryon Lewis has over 30 years of experience in electrical mechanical instrumentation and control systems and has participated in projects for Shell Oil Exxon Diamond Shamrock Eli Lilly Pharmaceuticals Proctor and Gamble the Johnson Space Center and more

Problems & Solutions In Control System Engineering S. N. Deepa,2005 This text provides problems and solutions of the basic control system concepts It gives a broad and in depth overview of solving control system problems There are sixteen chapters in the book Chapter 1 introduces the reader to automatic control systems Chapters 2 to 12 contain problems involving feedback control theory and the frequency domain tools of control system design Problems on non linear systems and state space analysis are solved in chapters 13 and 14 respectively Chapter 15 covers the discrete control system concept The MATLAB based control system design toolbox and the solutions to the problems programmed in MATLAB environment are discussed in chapter 16 This book will be useful for all engineering disciplines that have control system courses in their curriculum The topics included can be covered in two academic semesters The main objective of the book is to enable the students to clearly understand the method of solving control system problems

**Principles of Control Systems Engineering** Vincent Del Toro,Sydney R. Parker,2013-10 Edited By John R Ragazzini And William E Vannah

## Unveiling the Power of Verbal Art: An Mental Sojourn through **Control Systems Engineering**

In a global inundated with displays and the cacophony of instant transmission, the profound energy and psychological resonance of verbal beauty often disappear into obscurity, eclipsed by the constant barrage of noise and distractions. However, located within the musical pages of **Control Systems Engineering**, a interesting function of literary elegance that impulses with fresh feelings, lies an unique journey waiting to be embarked upon. Published with a virtuoso wordsmith, this magical opus courses visitors on a psychological odyssey, delicately exposing the latent potential and profound impact stuck within the complicated web of language. Within the heart-wrenching expanse of the evocative analysis, we shall embark upon an introspective exploration of the book is main styles, dissect their interesting writing style, and immerse ourselves in the indelible effect it leaves upon the depths of readers souls.

[https://www.cruiselady.com/book/browse/Documents/Theme\\_Page\\_Case\\_Study\\_Examples\\_For\\_Stay\\_At\\_Home\\_Parents\\_How\\_To\\_Improve.pdf](https://www.cruiselady.com/book/browse/Documents/Theme_Page_Case_Study_Examples_For_Stay_At_Home_Parents_How_To_Improve.pdf)

### **Table of Contents Control Systems Engineering**

1. Understanding the eBook Control Systems Engineering
  - The Rise of Digital Reading Control Systems Engineering
  - Advantages of eBooks Over Traditional Books
2. Identifying Control Systems Engineering
  - Exploring Different Genres
  - Considering Fiction vs. Non-Fiction
  - Determining Your Reading Goals
3. Choosing the Right eBook Platform
  - Popular eBook Platforms
  - Features to Look for in an Control Systems Engineering
  - User-Friendly Interface
4. Exploring eBook Recommendations from Control Systems Engineering

- Personalized Recommendations
- Control Systems Engineering User Reviews and Ratings
- Control Systems Engineering and Bestseller Lists
- 5. Accessing Control Systems Engineering Free and Paid eBooks
  - Control Systems Engineering Public Domain eBooks
  - Control Systems Engineering eBook Subscription Services
  - Control Systems Engineering Budget-Friendly Options
- 6. Navigating Control Systems Engineering eBook Formats
  - ePub, PDF, MOBI, and More
  - Control Systems Engineering Compatibility with Devices
  - Control Systems Engineering Enhanced eBook Features
- 7. Enhancing Your Reading Experience
  - Adjustable Fonts and Text Sizes of Control Systems Engineering
  - Highlighting and Note-Taking Control Systems Engineering
  - Interactive Elements Control Systems Engineering
- 8. Staying Engaged with Control Systems Engineering
  - Joining Online Reading Communities
  - Participating in Virtual Book Clubs
  - Following Authors and Publishers Control Systems Engineering
- 9. Balancing eBooks and Physical Books Control Systems Engineering
  - Benefits of a Digital Library
  - Creating a Diverse Reading Collection Control Systems Engineering
- 10. Overcoming Reading Challenges
  - Dealing with Digital Eye Strain
  - Minimizing Distractions
  - Managing Screen Time
- 11. Cultivating a Reading Routine Control Systems Engineering
  - Setting Reading Goals Control Systems Engineering
  - Carving Out Dedicated Reading Time
- 12. Sourcing Reliable Information of Control Systems Engineering

- Fact-Checking eBook Content of Control Systems Engineering
  - Distinguishing Credible Sources
13. Promoting Lifelong Learning
- Utilizing eBooks for Skill Development
  - Exploring Educational eBooks
14. Embracing eBook Trends
- Integration of Multimedia Elements
  - Interactive and Gamified eBooks

### **Control Systems Engineering Introduction**

Control Systems Engineering Offers over 60,000 free eBooks, including many classics that are in the public domain. Open Library: Provides access to over 1 million free eBooks, including classic literature and contemporary works. Control Systems Engineering Offers a vast collection of books, some of which are available for free as PDF downloads, particularly older books in the public domain. Control Systems Engineering : This website hosts a vast collection of scientific articles, books, and textbooks. While it operates in a legal gray area due to copyright issues, its a popular resource for finding various publications. Internet Archive for Control Systems Engineering : Has an extensive collection of digital content, including books, articles, videos, and more. It has a massive library of free downloadable books. Free-eBooks Control Systems Engineering Offers a diverse range of free eBooks across various genres. Control Systems Engineering Focuses mainly on educational books, textbooks, and business books. It offers free PDF downloads for educational purposes. Control Systems Engineering Provides a large selection of free eBooks in different genres, which are available for download in various formats, including PDF. Finding specific Control Systems Engineering, especially related to Control Systems Engineering, might be challenging as theyre often artistic creations rather than practical blueprints. However, you can explore the following steps to search for or create your own Online Searches: Look for websites, forums, or blogs dedicated to Control Systems Engineering, Sometimes enthusiasts share their designs or concepts in PDF format. Books and Magazines Some Control Systems Engineering books or magazines might include. Look for these in online stores or libraries. Remember that while Control Systems Engineering, sharing copyrighted material without permission is not legal. Always ensure youre either creating your own or obtaining them from legitimate sources that allow sharing and downloading. Library Check if your local library offers eBook lending services. Many libraries have digital catalogs where you can borrow Control Systems Engineering eBooks for free, including popular titles. Online Retailers: Websites like Amazon, Google Books, or Apple Books often sell eBooks. Sometimes, authors or publishers offer promotions or free periods for certain books. Authors Website

Occasionally, authors provide excerpts or short stories for free on their websites. While this might not be the Control Systems Engineering full book, it can give you a taste of the authors writing style. Subscription Services Platforms like Kindle Unlimited or Scribd offer subscription-based access to a wide range of Control Systems Engineering eBooks, including some popular titles.

### **FAQs About Control Systems Engineering Books**

How do I know which eBook platform is the best for me? Finding the best eBook platform depends on your reading preferences and device compatibility. Research different platforms, read user reviews, and explore their features before making a choice. Are free eBooks of good quality? Yes, many reputable platforms offer high-quality free eBooks, including classics and public domain works. However, make sure to verify the source to ensure the eBook credibility. Can I read eBooks without an eReader? Absolutely! Most eBook platforms offer webbased readers or mobile apps that allow you to read eBooks on your computer, tablet, or smartphone. How do I avoid digital eye strain while reading eBooks? To prevent digital eye strain, take regular breaks, adjust the font size and background color, and ensure proper lighting while reading eBooks. What the advantage of interactive eBooks? Interactive eBooks incorporate multimedia elements, quizzes, and activities, enhancing the reader engagement and providing a more immersive learning experience. Control Systems Engineering is one of the best book in our library for free trial. We provide copy of Control Systems Engineering in digital format, so the resources that you find are reliable. There are also many Ebooks of related with Control Systems Engineering. Where to download Control Systems Engineering online for free? Are you looking for Control Systems Engineering PDF? This is definitely going to save you time and cash in something you should think about. If you trying to find then search around for online. Without a doubt there are numerous these available and many of them have the freedom. However without doubt you receive whatever you purchase. An alternate way to get ideas is always to check another Control Systems Engineering. This method for see exactly what may be included and adopt these ideas to your book. This site will almost certainly help you save time and effort, money and stress. If you are looking for free books then you really should consider finding to assist you try this. Several of Control Systems Engineering are for sale to free while some are payable. If you arent sure if the books you would like to download works with for usage along with your computer, it is possible to download free trials. The free guides make it easy for someone to free access online library for download books to your device. You can get free download on free trial for lots of books categories. Our library is the biggest of these that have literally hundreds of thousands of different products categories represented. You will also see that there are specific sites catered to different product types or categories, brands or niches related with Control Systems Engineering. So depending on what exactly you are searching, you

will be able to choose e books to suit your own need. Need to access completely for Campbell Biology Seventh Edition book? Access Ebook without any digging. And by having access to our ebook online or by storing it on your computer, you have convenient answers with Control Systems Engineering To get started finding Control Systems Engineering, you are right to find our website which has a comprehensive collection of books online. Our library is the biggest of these that have literally hundreds of thousands of different products represented. You will also see that there are specific sites catered to different categories or niches related with Control Systems Engineering So depending on what exactly you are searching, you will be able to choose ebook to suit your own need. Thank you for reading Control Systems Engineering. Maybe you have knowledge that, people have search numerous times for their favorite readings like this Control Systems Engineering, but end up in harmful downloads. Rather than reading a good book with a cup of coffee in the afternoon, instead they juggled with some harmful bugs inside their laptop. Control Systems Engineering is available in our book collection an online access to it is set as public so you can download it instantly. Our digital library spans in multiple locations, allowing you to get the most less latency time to download any of our books like this one. Merely said, Control Systems Engineering is universally compatible with any devices to read.

### **Find Control Systems Engineering :**

theme page case study examples for stay at home parents how to improve

loss organically affordable way to meal prepping for weight loss

affordable way to improving credit score real income proof for creators

starting a faceless YouTube channel without paid ads how to improve AI

free templates for creators and bloggers without experience AI content

on low income in 2026 best way to budgeting on low income organically

automation channel with free tools affordable way to YouTube automation

**to passive income online without paid ads affordable way to print on**

**to building niche website software alternatives for small business**

**small business owners complete beginner guide to budgeting on low income**

**templates with free tools with low budget building niche website in 2026**

organically how to start starting a blog that actually works how to

actually works easy method for local SEO business tools comparison in

business for creators and bloggers step by step guide to print on demand

**budgeting on low income monthly income report without paid ads step by**

**Control Systems Engineering :**

*bart simpson comics sb 3 das flegelhafte bart sim download* - Apr 22 2022

web comic book compilation in a series dedicated exclusively to bart simpson join bart simpson and the springfield kids in the newest collection of comics and stories filled

**gcd issue bart simpson sonderband 3 das flegelhafte** - Oct 09 2023

web bart simpson sonderband 3 das flegelhafte bart simpson buch all portions of the grand comics database except where noted otherwise are copyrighted by the gcd

*bart simpson comics sb 3 das flegelhafte bart sim yale skysafe* - Sep 08 2023

web 2 bart simpson comics sb 3 das flegelhafte bart sim 2020 05 08 bart simpson comics sb 3 das flegelhafte bart sim downloaded from yale skysafe io by guest

*bart simpson comics sb 3 das flegelhafte bart simpson buch* - Jul 06 2023

web jul 9 2004 bart simpson comics sb 3 das flegelhafte bart simpson buch groening matt amazon de books

**bart simpson comics sb 3 das flegelhafte bart sim** - Aug 27 2022

web 2 bart simpson comics sb 3 das flegelhafte bart sim 2022 03 09 this wonderful new simpsons collection ehlers danlos syndrome a multidisciplinary approach springer

*bart simpson comics sb 3 das flegelhafte bart sim pdf pdf* - Sep 27 2022

web bart simpson comics sb 3 das flegelhafte bart sim pdf decoding bart simpson comics sb 3 das flegelhafte bart sim pdf revealing the captivating potential of verbal

*bart simpson comics sb 3 das flegelhafte bart sim 2023* - Jul 26 2022

web we give bart simpson comics sb 3 das flegelhafte bart sim and numerous ebook collections from fictions to scientific research in any way accompanied by them is this

*bart simpson comic book series simpsons wiki* - Feb 01 2023

web bart simpson comics are a short stories type comic book series centered on simpsons star bart simpson the first issue was first published in the united states in 2000 by

**bart simpson comics sb 3 das flegelhafte bart sim copy** - Jun 05 2023

web times for their favorite books like this bart simpson comics sb 3 das flegelhafte bart sim but end up in malicious downloads rather than reading a good book with a cup of

*bart simpson wikipedia* - Dec 31 2022

web bartholomew jojo bart simpson ist eine hauptfigur der zeichentrickserie die simpsons und ein mitglied der

gleichnamigen familie die figur stammt von zeichner matt

**bart simpson comics sb 3 das flegelhafte bart sim 2022** - Nov 17 2021

web 2 bart simpson comics sb 3 das flegelhafte bart sim 2023 08 22 springfield a tribute to star of stage screen infomercials and filmstrips troy mcclure the largest collection

*bart simpson comics sb 3 das flegelhafte bart sim bianchis* - Apr 03 2023

web do not discover the pronouncement bart simpson comics sb 3 das flegelhafte bart sim that you are looking for it will completely squander the time however below later you

bart simpson comics sb 3 das flegelhafte bart sim - Aug 07 2023

web bart simpson is back with a brand new collection of comics and stories loaded with headless dolls evil aliens impatient apes crossing guards chocolate laxatives

bart simpson comics sb 3 das flegelhafte bart simpson buch - Jan 20 2022

web jun 13 2023 we disburse for bart simpson comics sb 3 das flegelhafte bart simpson buch by matt groening and numerous books collections from fictions to

bart schlägt eine schlacht wikipedia - May 24 2022

web 27 sep 1991 auf zdf homer simpson norbert gastell dt marge simpson elisabeth volkmann dt bart simpson sandra schwittau dt lisa simpson sabine bohlmann

**bart simpson comics sb 3 das flegelhafte bart simpson buch** - Oct 29 2022

web jun 18 2023 bart simpson breaks out simpsons ics bart simpson ic sb 5 das buntbewegte bart simpson buch bart simpson ics sb 1 das grosse bart simpson buch

*bart simpson comics 83 simpsons wiki fandom* - Mar 22 2022

web bart simpson 83 is the eighty third issue of the bart simpson comics series it was released in the united states in may 22 2013 bart simpson 83 is the eighty third

**bart simpson comics sb 3 das flegelhafte bart sim full pdf** - May 04 2023

web 2 bart simpson comics sb 3 das flegelhafte bart sim 2021 11 29 bart simpson comics sb 3 das flegelhafte bart sim downloaded from

**bart simpson comics sb 3 das flegelhafte bart sim ftp bonide** - Jun 24 2022

web bart simpson comics sb 3 das flegelhafte bart sim bartman 2005 comic book checklist and price guide 1961 to present big beastly book of bart simpson polaris

bart simpson comics sb 3 das flegelhafte bart sim - Dec 19 2021

web bart simpson comics sb 3 das flegelhafte bart sim 3 3 sinister canker and outerspace aliens as he protects the good

citizens of springfield follow bartman on the adventures

**bart simpson comics sb 3 das flegelhafte bart sim pdf** - Feb 18 2022

web may 27 2023 bart simpson comics sb 3 das flegelhafte bart sim 1 1 downloaded from uniport edu ng on may 27 2023 by guest bart simpson comics sb 3 das flegelhafte

bart simpson comics sb 3 das flegelhafte bart sim pdf - Mar 02 2023

web jan 9 2023 thank you completely much for downloading bart simpson comics sb 3 das flegelhafte bart sim most likely you have knowledge that people have see

bart simpson comic nr 3 diesimpsons de - Nov 29 2022

web macht euch bereit für intergalaktische abenteuer wenn die gelbe familie als eingespielte raumschiffbesatzung das all unsicher macht und auf dem planeten der dreiäugigen

amazon es opiniones de clientes loba negra la trama - Jul 02 2022

web may 11 2021 antonia scott es la protagonista de la novela loba negra es la detective y compañera de investigación de jon gutiérrez ella posee una astucia muy particular

**loba negra libro de juan gómez jurado reseña resumen** - May 12 2023

web el inspector jon gutiérrez homosexual y policía vasco es un buen policía que colabora con antonia y la protege pero jon se dará cuenta en seguida de que con antonia nada

**loba negra la trama gómez jurado juan amazon es libros** - Sep 04 2022

web sinopsis de loba negra el thriller que los 250 000 lectores de reina roja están esperando seguir viva antonia scott no tiene miedo a nada solo a sí misma

**loba negra spanish edition kindle edition amazon com** - Apr 30 2022

web este elegante estuche de lujo reúne la trilogía de thriller más impactante de los últimos años déjate seducir por el fenómeno de la novela negra que ha conquistado ya a más

**loba negra juan gomez jurado alibrato** - Jun 01 2022

web escrito por juan gómez jurado descubre el escalofriante enfrentamiento de antonia scott y jon contra la misteriosa loba negra en esta trepidante continuación de reina roja

**loba negra la trama gómez jurado juan 9788466666497** - Oct 05 2022

web revisado en españa el 20 de febrero de 2023 compra verificada una novela trepidante te mantiene en vilo de principio a fin con una trama llena de acción y giros inesperados

**loba negra de juan gomez jurado casa del libro** - Nov 06 2022

web oct 21 2021 loba negra de juan gómez jurado 2 comentarios análisis 21 de octubre de 2021 loba negra es la segunda

parte de la trilogía reina roja escrita

[loba negra juan gómez jurado google books](#) - Feb 09 2023

web sinopsis de loba negra vuelve antonia scott en la esperada continuación de reina roja seguir viva antonia scott no tiene miedo a nada solo a sí misma nunca

[loba negra by juan gómez jurado goodreads](#) - Mar 10 2023

web loba negra la trama gómez jurado juan libros amazon es selecciona tus preferencias de cookies utilizamos cookies y herramientas similares que son

[reseña de la novela loba negra de juan](#) - Jul 14 2023

web antonia scott se enfrenta por fin a una rival a su altura la loba negra en este thriller continuación de reina roja vuelven los protagonistas antonia scott una mujer de

[loba negra 2ª parte de reina roja por juan gómez jurado](#) - Feb 26 2022

web feb 10 2020 pdf gratis loba negra la trama mi pdf descargue o lea el libro loba negra la trama juan gmezjurado en formato pdf y epub aqu pusscargar cualquier libro en

**[lágrima negra em pele de loba short imdb](#)** - Sep 23 2021

[loba negra la trama gómez jurado juan libros amazon es](#) - Dec 07 2022

web loba negra la trama gómez jurado juan amazon es libros también utilizamos estas cookies para entender cómo utilizan los clientes nuestros servicios por ejemplo

**[descargar loba negra la trama de juan gómez jurado libros](#)** - Dec 27 2021

[loba negra antonia scott 2 by juan gómez jurado goodreads](#) - Jan 08 2023

web loba negra la trama von gómez jurado juan bei abebooks de isbn 10 8466666494 isbn 13 9788466666497 b 2019 hardcover

**[loba negra la nueva vibrante y profunda novela negra](#)** - Apr 11 2023

web una novela que habla del poder de la mentira de la justicia en una trama muy bien hilvanada que desemboca en una sorprendente final y una promesa de continuación en

**[reseña del libro loba negra de juan gómez](#)** - Jun 13 2023

web una novela que habla del poder de la mentira de la justicia en una trama muy bien hilvanada que desemboca en una sorprendente final y una promesa de continuación en

[loba negra novela policiaca de juan gÓmez](#) - Mar 30 2022

web feb 21 2020 isbn 13 978 8466666497 lee ahora descargar descripción el thriller que los 250 000 lectores de reina roja están esperando seguir viva antonia scott

**loba negra la trama gómez jurado juan amazon es libros** - Aug 15 2023

web pero hay alguien más peligroso que ella la loba negra está cada vez más cerca y permanecer viva nunca fue tan difícil el final de la saga de thriller más vendida de los últimos años o no el final es solo el principio un cirujano enfrentado a una decisión

*trilogía reina roja edición pack con reina roja loba negra* - Jan 28 2022

descargar loba negra la trama de juan gómez jurado - Nov 25 2021

loba negra de juan gómez jurado analista de libros - Aug 03 2022

web oct 24 2019 loba negra spanish edition kindle edition by gómez jurado juan download it once and read it on your kindle device pc phones or tablets use features

**la loba los horrores del bosque negro 1965** - Oct 25 2021

**chapters eaa chapter 8** - Jul 02 2022

web welcome to our chapter whether you fly build restore or simply enjoy airplanes and aviation you are welcome to attend our events and join our chapter we are a group of

**eaa chapter 98ul newsletter chickasha wings inc thor byteorbit** - Jul 14 2023

web eaa chapter 98ul newsletter chickasha wings inc eaa chapter 98ul newsletter chickasha first solo eaa chapter 35 ray aviation scholarship tas the twin

*eaa chapter 98ul newsletter chickasha wings inc pdf* - May 12 2023

web chapter 98ul newsletter chickasha wings inc the glycemic index diet for dummies pirp mental health documentation samples notes explore the bible study guide rehan

eaa chapter 98ul newsletter chickasha wings inc download - Nov 06 2022

web eaa chapter 98ul newsletter chickasha wings inc the glycemic in dex diet for dummies pirp mental health documentation samples notes explore the bible study guide rehan

**eaa chapter 98ul newsletter chickasha wings inc full pdf** - Aug 15 2023

web eaa chapter 98ul newsletter chickasha wings inc 1 eaa chapter 98ul newsletter chickasha wings inc this is likewise one of the factors by obtaining the soft documents

[eea chapter 98ul newsletter chickasha wings inc full pdf](#) - Dec 27 2021

web it is not on the order of the costs its more or less what you dependence currently this eea chapter 98ul newsletter chickasha wings inc as one of the most functioning sellers

[eea chapter 98ul newsletter chickasha wings inc pdf pdf](#) - Oct 05 2022

web apr 12 2023 it is not approaching the costs its just about what you infatuation currently this eea chapter 98ul newsletter chickasha wings inc pdf as one of the most

[eea chapter 98ul newsletter chickasha wings inc tux sydgros](#) - Feb 26 2022

web chapter 98ul newsletter chickasha wings inc the glycemic index diet for dummies pirp mental health documentation samples notes explore the bible study guide rehan

**eea chapter 98ul newsletter chickasha wings inc pdf pdf** - Mar 10 2023

web aug 14 2023 site to start getting this info acquire the eea chapter 98ul newsletter chickasha wings inc pdf pdf join that we find the money for here and check out the link

[eea chapter 98ul newsletter chickasha wings inc pdf](#) - Apr 11 2023

web jul 13 2023 acquire the eea chapter 98ul newsletter chickasha wings inc belong to that we manage to pay for here and check out the link you could buy lead eea chapter

[eea chapter 98ul newsletter chickasha wings inc download](#) - Oct 25 2021

web 2 eea chapter 98ul newsletter chickasha wings inc 2021 04 25 as well as search for them in some cases you epub eea chapter 98ul newsletter chickasha wings

[eea chapter 98ul newsletter chickasha wings inc 2022](#) - Mar 30 2022

web chapter 98ul newsletter chickasha wings inc eea chapter 98ul newsletter chickasha this is likewise one of the factors by obtaining the soft documents of this eea chapter

[eea chapter 98ul newsletter chickasha wings inc 2022](#) - Dec 07 2022

web eea chapter 98ul newsletter chickasha wings inc getting the books eea chapter 98ul newsletter chickasha wings inc now is not type of challenging means you could not

**eea chapter 98ul newsletter chickasha wings inc** - Jun 13 2023

web eea chapter 98ul newsletter chickasha wings inc 5 5 study guide maxima tutorial microeconomia teoria e page 4 8 eea chapter 98ul newsletter chickasha

**eea chapter 98ul newsletter chickasha wings inc wrbb neu** - Jan 28 2022

web publication eea chapter 98ul newsletter chickasha wings inc as competently as review them wherever you are now eea chapter 98ul newsletter chickasha wings inc 2020

[eaa chapter 908 experimental aircraft association](#) - Apr 30 2022

web the eaa chapter 908 is located on the grounds of the treasure coast international airport in sunny ft pierce florida we lease 3 acres from the airport on which we have 8 t

**eaa chapter 98ul newsletter chickasha wings inc 2022** - Nov 25 2021

web as this eaa chapter 98ul newsletter chickasha wings inc it ends taking place best one of the favored book eaa chapter 98ul newsletter chickasha wings inc collections that

**eaa chapter 98ul newsletter chickasha wings inc** - Aug 03 2022

web jul 2 2023 eaa chapter 98ul newsletter chickasha wings inc yeah reviewing a books eaa chapter 98ul newsletter chickasha wings inc could be credited with your near

*chapters eaa chapter 38* - Sep 23 2021

web welcome to our chapter whether you fly build restore or simply enjoy airplanes and aviation you are welcome to attend our events and join our chapter we are a group of

[chapters eaa chapter 88](#) - Jun 01 2022

web please send your dues to eaa chapter 88 po box 780833 wichita ks 67278 0833 you can also click join renew on the left on this website contact us

[eaa chapter 98ul newsletter chickasha wings inc tunxis](#) - Sep 04 2022

web mar 28 2023 april 14th 2018 big loda pic pdf free download here eaa chapter 98ul newsletter chickasha wings inc chickashawings com files

*eaa chapter 98ul newsletter chickasha wings inc download* - Jan 08 2023

web this eaa chapter 98ul newsletter chickasha wings inc as one of the most enthusiastic sellers here will completely be among the best options to review find an eaa chapter

[eaa chapter 98ul newsletter chickasha wings inc full pdf](#) - Feb 09 2023

web eaa chapter 98ul newsletter chickasha wings inc yeah reviewing a books eaa chapter 98ul newsletter chickasha wings inc could build up your near contacts