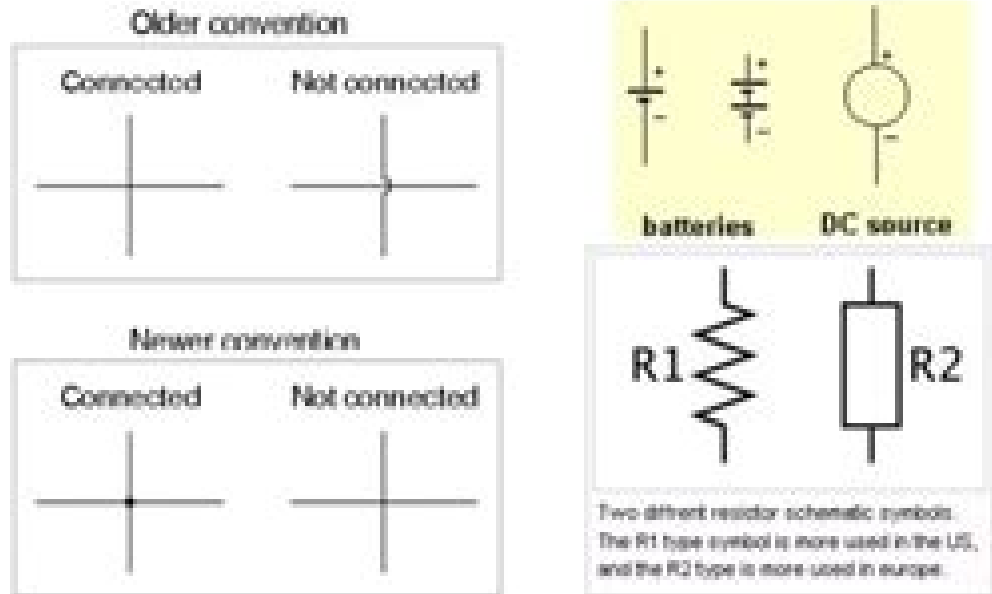
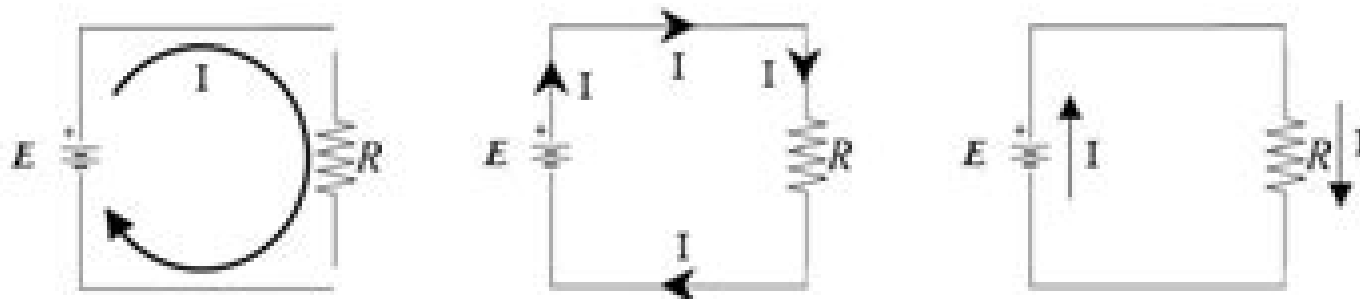


Basic circuit theory

- Conventions - schematics



- While analysing a state of a circuit, one also writes the direction of current and the polarity of voltage in a schematic



Basic Circuit Theory

Wushow Chou, V. P. Verma



Basic Circuit Theory:

Basic Circuit Theory Lawrence P. Huelsman, 1984 New edition of a standard textbook first published in 1972 Intended for EE or computer engineers at the sophomore or junior level Annotation copyrighted by Book News Inc Portland OR **Basic Electric Circuit Theory** Isaak D. Mayergoyz, W. Lawson, 2012-12-02 This is the only book on the market that has been conceived and deliberately written as a one semester text on basic electric circuit theory As such this book employs a novel approach to the exposition of the material in which phasors and ac steady state analysis are introduced at the beginning This allows one to use phasors in the discussion of transients excited by ac sources which makes the presentation of transients more comprehensive and meaningful Furthermore the machinery of phasors paves the road to the introduction of transfer functions which are then used in the analysis of transients and the discussion of Bode plots and filters Another salient feature of the text is the consolidation into one chapter of the material concerned with dependent sources and operational amplifiers Dependent sources are introduced as linear models for transistors on the basis of small signal analysis In the text PSpice simulations are prominently featured to reinforce the basic material and understanding of circuit analysis Key Features Designed as a comprehensive one semester text in basic circuit theory Features early introduction of phasors and ac steady state analysis Covers the application of phasors and ac steady state analysis Consolidates the material on dependent sources and operational amplifiers Places emphasis on connections between circuit theory and other areas in electrical engineering Includes PSpice tutorials and examples Introduces the design of active filters Includes problems at the end of every chapter Priced well below similar books designed for year long courses **Basic Circuit Theory** Lawrence P. Huelsman, 1972

Basic Circuit Theory Charles A. Desoer, 1969 **Basic Circuit Theory** Charles A. Desoer, Ernest S. Kuh, 1966

Electrical Circuit Analysis Julio Giaimo, 2021-03-12 This book is designed as an introductory course in Electrical and Electronic fundamental knowledge of electrical circuits In this book we provide a concise introduction to basic Circuit analysis Basic knowledge of Calculus and some Physics are the only prerequisites required to follow the topics discussed in the book We've tried to explain the various fundamental concepts of Circuit theory most simply without an overreliance on math Also we have tried to connect the various topics with real life situations wherever possible This way even first timers can learn the basics of Circuit theory with minimum effort Hopefully the students will enjoy this different approach to Circuit Analysis The various concepts of the subject are arranged logically and explained in a simple reader friendly language with illustrative figures **Circuit Theory & Basic Electrical & Electronics Engineering** Dr. Arun Kumar Yadav , Dr. Aarti Rahul Salunke, Dr. Manthan S. Manavadaria , Dr Hans John Dacruz, 2025-09-23 This book provides a comprehensive foundation in Circuit Theory and Basic Electrical and Electronics Engineering covering essential concepts of electric circuits network theorems AC DC analysis semiconductor devices and electronic components It serves as an ideal guide for engineering students to understand analyze and design fundamental electrical and electronic systems effectively Basic

Circuit Theory J.D. Mayergoyz, *Foundations of Electric Circuits* J. R. Cogdell, 1999 Extracted from the highly successful *Foundations of Electrical Engineering* by the same author this book designed for a non major one semester course with coverage of electric circuits introduces concepts and vocabulary that are defined clearly and accurately key unifying ideas in electric circuits are identified with icons in the margins and problem solving techniques are presented in the many examples The book presents basic circuit analysis techniques first and second order transient analysis AC circuit theory transient and steady state circuit analysis based on complex numbers and an introduction to electric power systems The presentation assumes knowledge of basic physics and calculus and is ideal for electrical engineering students with one course in circuits Used with *Foundations of Electronics* this book is ideal for a one semester course in circuits and electronics for physics engineering or computer science students

FEATURES BENEFITS Emphasis is placed on clear definitions of concepts and vocabulary Problems are offered at three levels What if problems extending examples in the text with answers Check our understanding problems after each major section with answers and extensive end of chapter problems identified with chapter sections with answers for odd problems Full pedagogical tools chapter objectives marginal aids chapter summaries chapter glossaries tied to context and a complete index

Schaum's Outline of Basic Circuit Analysis, Second Edition John O'Malley, 2011-02-17 The ideal review for your basic circuit analysis course More than 40 million students have trusted Schaum's Outlines for their expert knowledge and helpful solved problems Written by renowned experts in their respective fields Schaum's Outlines cover everything from math to science nursing to language The main feature for all these books is the solved problems Step by step authors walk readers through coming up with solutions to exercises in their topic of choice 700 solved problems Outline format supplies a concise guide to the standard college course in basic circuits Clear concise explanations of all electric circuits concepts Appropriate for the following courses Basic Circuit Analysis Electrical Circuits Electrical Engineering Circuit Analysis Introduction to Circuit Analysis AC DC Circuits Supports and supplements the bestselling textbooks in circuits Easily understood review of basic circuit analysis Supports all the major textbooks for basic circuit analysis courses

Basic Circuit Theory [by] Charles A. Desoer [and] Ernest S. Kuh Charles A. Desoer, 1966

Basic Circuit Theory Lawrence P. Huelsman, 1990 Basic Electric Circuit Theory Walter Wallace Lewis, 1958

Basic Electric Circuit Analysis David E. Johnson, John L. Hilburn, Johnny Ray Johnson, 1978

Fundamentals of Circuit Theory Norman Balabanian, 2012-03-01

Electrical Circuit Theory and Technology John Bird, 2010-08-31 A fully comprehensive text for courses in electrical principles circuit theory and electrical technology providing 800 worked examples and over 1000 further problems for students to work through at their own pace This book is ideal for students studying engineering for the first time as part of BTEC National and other pre degree vocational courses especially where progression to higher levels of study is likely as well as Higher Nationals Foundation Degrees and first year undergraduate modules Now in its third edition this best selling textbook has been updated with developments in key areas such as

semiconductors transistors and fuel cells along with brand new material on ABCD parameters and Fourier's Analysis Greater emphasis is placed on real world situations in order to ensure the reader can relate the theory to actual engineering practice In addition the text has been restructured throughout so that 175 Exercises now appear at regular intervals which the student can work through to test their learning of essential concepts and check their progress

Circuit Analysis for Complete Idiots David Smith, 2019-07-29 In today's world there's an electronic gadget for everything and inside these gadgets are circuits little components wired together to perform some meaningful function Have you wondered how a led display sign works or how a calculator works or toy cars work How is it possible All because of electrical circuits These tiny components when arranged in certain manner can do wonders Fascinating isn't it Our fascination with gadgets and reliance on machinery is only growing day by day and hence from an engineering perspective it is absolutely crucial to be familiar with the analysis and designing of such Circuits at the very least one should be able to identify components Circuit analysis is one of basic subjects in engineering and particularly important for Electrical and Electronics students So circuit analysis is a good starting point for anyone wanting to get into the field It is a very easy subject to learn and understand but for this reason most of us end up taking the subject lightly and therefore misunderstand many key ideas This will lead to a lot of headache in other subjects In this book we provide a concise introduction into basic Circuit analysis A basic knowledge of Calculus and some Physics are the only prerequisites required to follow the topics discussed in the book We've tried to explain the various fundamental concepts of Circuit theory in the simplest manner without an over reliance on math Also we have tried to connect the various topics with real life situations wherever possible This way even first timers can learn the basics of Circuit theory with minimum effort Hopefully the students will enjoy this different approach to Circuit Analysis The various concepts of the subject are arranged logically and explained in a simple reader friendly language with illustrative figures We have covered basic topics extensively and given an introduction to advanced topics like s domain analysis This book will hopefully serve as inspiration to learn Circuit theory and in turn Electrical engineering in greater depths

Solutions to Problems in Basic Circuit Theory, by C.A. Desoer and E.S. Kuh Wushow Chou, V. P. Verma, 1969

Solutions, Basic Circuit Theory with Digital Computation Lawrence P. Huelsman, 1972 Basic Electrical Circuit Theory Ronald Lowe, Jack William Mansell, 1967

Embark on a breathtaking journey through nature and adventure with is mesmerizing ebook, Witness the Wonders in **Basic Circuit Theory** . This immersive experience, available for download in a PDF format (Download in PDF: *), transports you to the heart of natural marvels and thrilling escapades. Download now and let the adventure begin!

https://www.cruiselady.com/book/scholarship/HomePages/Child_centred_Education.pdf

Table of Contents Basic Circuit Theory

1. Understanding the eBook Basic Circuit Theory
 - The Rise of Digital Reading Basic Circuit Theory
 - Advantages of eBooks Over Traditional Books
2. Identifying Basic Circuit Theory
 - Exploring Different Genres
 - Considering Fiction vs. Non-Fiction
 - Determining Your Reading Goals
3. Choosing the Right eBook Platform
 - Popular eBook Platforms
 - Features to Look for in an Basic Circuit Theory
 - User-Friendly Interface
4. Exploring eBook Recommendations from Basic Circuit Theory
 - Personalized Recommendations
 - Basic Circuit Theory User Reviews and Ratings
 - Basic Circuit Theory and Bestseller Lists
5. Accessing Basic Circuit Theory Free and Paid eBooks
 - Basic Circuit Theory Public Domain eBooks
 - Basic Circuit Theory eBook Subscription Services
 - Basic Circuit Theory Budget-Friendly Options
6. Navigating Basic Circuit Theory eBook Formats

- ePub, PDF, MOBI, and More
- Basic Circuit Theory Compatibility with Devices
- Basic Circuit Theory Enhanced eBook Features
- 7. Enhancing Your Reading Experience
 - Adjustable Fonts and Text Sizes of Basic Circuit Theory
 - Highlighting and Note-Taking Basic Circuit Theory
 - Interactive Elements Basic Circuit Theory
- 8. Staying Engaged with Basic Circuit Theory
 - Joining Online Reading Communities
 - Participating in Virtual Book Clubs
 - Following Authors and Publishers Basic Circuit Theory
- 9. Balancing eBooks and Physical Books Basic Circuit Theory
 - Benefits of a Digital Library
 - Creating a Diverse Reading Collection Basic Circuit Theory
- 10. Overcoming Reading Challenges
 - Dealing with Digital Eye Strain
 - Minimizing Distractions
 - Managing Screen Time
- 11. Cultivating a Reading Routine Basic Circuit Theory
 - Setting Reading Goals Basic Circuit Theory
 - Carving Out Dedicated Reading Time
- 12. Sourcing Reliable Information of Basic Circuit Theory
 - Fact-Checking eBook Content of Basic Circuit Theory
 - Distinguishing Credible Sources
- 13. Promoting Lifelong Learning
 - Utilizing eBooks for Skill Development
 - Exploring Educational eBooks
- 14. Embracing eBook Trends
 - Integration of Multimedia Elements
 - Interactive and Gamified eBooks

Basic Circuit Theory Introduction

In today's digital age, the availability of Basic Circuit Theory books and manuals for download has revolutionized the way we access information. Gone are the days of physically flipping through pages and carrying heavy textbooks or manuals. With just a few clicks, we can now access a wealth of knowledge from the comfort of our own homes or on the go. This article will explore the advantages of Basic Circuit Theory books and manuals for download, along with some popular platforms that offer these resources. One of the significant advantages of Basic Circuit Theory books and manuals for download is the cost-saving aspect. Traditional books and manuals can be costly, especially if you need to purchase several of them for educational or professional purposes. By accessing Basic Circuit Theory versions, you eliminate the need to spend money on physical copies. This not only saves you money but also reduces the environmental impact associated with book production and transportation. Furthermore, Basic Circuit Theory books and manuals for download are incredibly convenient. With just a computer or smartphone and an internet connection, you can access a vast library of resources on any subject imaginable. Whether you're a student looking for textbooks, a professional seeking industry-specific manuals, or someone interested in self-improvement, these digital resources provide an efficient and accessible means of acquiring knowledge. Moreover, PDF books and manuals offer a range of benefits compared to other digital formats. PDF files are designed to retain their formatting regardless of the device used to open them. This ensures that the content appears exactly as intended by the author, with no loss of formatting or missing graphics. Additionally, PDF files can be easily annotated, bookmarked, and searched for specific terms, making them highly practical for studying or referencing. When it comes to accessing Basic Circuit Theory books and manuals, several platforms offer an extensive collection of resources. One such platform is Project Gutenberg, a nonprofit organization that provides over 60,000 free eBooks. These books are primarily in the public domain, meaning they can be freely distributed and downloaded. Project Gutenberg offers a wide range of classic literature, making it an excellent resource for literature enthusiasts. Another popular platform for Basic Circuit Theory books and manuals is Open Library. Open Library is an initiative of the Internet Archive, a non-profit organization dedicated to digitizing cultural artifacts and making them accessible to the public. Open Library hosts millions of books, including both public domain works and contemporary titles. It also allows users to borrow digital copies of certain books for a limited period, similar to a library lending system. Additionally, many universities and educational institutions have their own digital libraries that provide free access to PDF books and manuals. These libraries often offer academic texts, research papers, and technical manuals, making them invaluable resources for students and researchers. Some notable examples include MIT OpenCourseWare, which offers free access to course materials from the Massachusetts Institute of Technology, and the Digital Public Library of America, which provides a vast collection of digitized books and historical documents. In conclusion, Basic Circuit Theory books and manuals for download have transformed the way we access information. They provide a cost-effective and

convenient means of acquiring knowledge, offering the ability to access a vast library of resources at our fingertips. With platforms like Project Gutenberg, Open Library, and various digital libraries offered by educational institutions, we have access to an ever-expanding collection of books and manuals. Whether for educational, professional, or personal purposes, these digital resources serve as valuable tools for continuous learning and self-improvement. So why not take advantage of the vast world of Basic Circuit Theory books and manuals for download and embark on your journey of knowledge?

FAQs About Basic Circuit Theory Books

How do I know which eBook platform is the best for me? Finding the best eBook platform depends on your reading preferences and device compatibility. Research different platforms, read user reviews, and explore their features before making a choice. Are free eBooks of good quality? Yes, many reputable platforms offer high-quality free eBooks, including classics and public domain works. However, make sure to verify the source to ensure the eBook credibility. Can I read eBooks without an eReader? Absolutely! Most eBook platforms offer web-based readers or mobile apps that allow you to read eBooks on your computer, tablet, or smartphone. How do I avoid digital eye strain while reading eBooks? To prevent digital eye strain, take regular breaks, adjust the font size and background color, and ensure proper lighting while reading eBooks. What the advantage of interactive eBooks? Interactive eBooks incorporate multimedia elements, quizzes, and activities, enhancing the reader engagement and providing a more immersive learning experience. Basic Circuit Theory is one of the best book in our library for free trial. We provide copy of Basic Circuit Theory in digital format, so the resources that you find are reliable. There are also many Ebooks of related with Basic Circuit Theory. Where to download Basic Circuit Theory online for free? Are you looking for Basic Circuit Theory PDF? This is definitely going to save you time and cash in something you should think about.

Find Basic Circuit Theory :

[child-centred education](#)

children can be taught to obey

[children of the corn](#)

~~child care family benefits and working parents a study in comparative policy~~

[child abuse a community concern](#)

children and youth interdisciplinary perspectives

children of the sun

child abuse tort claims against public bodies a comparative law view

childbirth a christian perspective ethics s

children of aids african orphan crisis

chief seattle 3rd printing

chief sunrise john mcgraw and me

child welfare research review

chez eddy living heart cookbook

children of the street

Basic Circuit Theory :

Infiniti M Owners Manual Owners Manual - Infiniti M35/M45 2007, View this Book Online Now · Download this file now, 1/19/2007. Owners Manual - Infiniti M35/M45 2007 (French), View this ... 2007 Infiniti M45/M35 Owner Guide Before driving your vehicle, read your. Owner's Manual carefully. This will ensure familiarity with controls and maintenance requirements, assisting you in ... 2007 Infiniti M45, M35 Owners Manual Book reviews, interviews, editors' picks, and more. Infiniti M35 Manual: Books 2006 Infiniti M45 M35 Navigation only Owners Manual · 2006 Infiniti M35 and M45 Owner's Manual Original · 2007 Infiniti M45, M35 Owners Manual · 2008 Infiniti M45 ... INFINITI Manuals and Guides Visit site to download your INFINITI vehicle's manuals and guides and access important details regarding the use and care of your particular model & year. 2007 INFINITI M35 M45 Service Repair Manual Aug 15, 2019 — This manual contains maintenance and repair procedure for the 2007 INFINITI M35/M45. In order to assure your safety and the efficient ... 2007 Infiniti M45 / M35 Owner's Owners Manual - eBay 2007 Infiniti M45/M35 Owner's Manual. We specialize in: Owner's Manuals, Transponder Chip Keys. Manufacturer and After-Market Keyless Remotes. Infiniti M35 - 2007) user manual (English - 390 pages) User manual. View the manual for the Infiniti M35 - 2007) here, for free. This manual comes under the category cars and has been rated by 1 people with an ... 2007 Infiniti M45 M35 User Guide Owner's Manual This is the Owners Manual for a 2007 Infiniti M45 / M35. If you have any questions or need any other parts for your vehicle, please message me. 2007 infiniti m35 m45 service repair manual | PDF Feb 27, 2021 — This manual contains maintenance and repair procedure for the 2007 INFINITI M35/M45. In. Medical-Surgical Nursing: Critical Thinking ... This book is the Single volume of Medical-Surgical Nursing: Critical Thinking in Client Care and is a clear presentation of patient care, with its ... Medical-Surgical Nursing: Critical Thinking in Client Care ... This book is the Single volume of Medical-Surgical Nursing: Critical Thinking in Client Care and is a clear presentation of patient care, ... Medical-Surgical Nursing: Critical Thinking in Client Care, ...

Medical-Surgical Nursing: Critical Thinking in Client Care Vol. 1 4th Edition. Lemone. Published by Prentice Hall, USA (2007). ISBN 10: 0131713094 ISBN 13 ... Medical Surgical Nursing: Critical... book by Priscilla LeMone Medical-Surgical Nursing, Volume 2: Critical Thinking in Client Care. Priscilla LeMone, Karen M. Burke ; Study Guide for Medical-Surgical Nursing Care. Karen M. Medical-surgical nursing: critical thinking in client ... Edition: 4th ed. Physical Desc: 2 volumes (various pagings) : illustrations, portrait 1 DVD-ROM 4 3/4 in., Also available in a single vol. version. Status ... Medical surgical nursing, critical thinking in client ... This book is the Single volume of Medical-Surgical Nursing: Critical Thinking in Client Care and is a clear presentation of patient care, with its consistent ... Medical-Surgical Nursing Critical Thinking in Client Care, Single ... Publisher Description. This book is the Single volume of Medical-Surgical Nursing: Critical Thinking in Client Care and is a clear presentation of patient care, ... Medical-Surgical Nursing: Critical Thinking in Client Care This book is the Single volume of Medical-Surgical Critical Thinking in Client Care and is a clear presentation of patient care, with its consistent format ... Medical-Surgical Nursing: Critical Thinking in Client Care ... Medical-Surgical Nursing: Critical Thinking in Client Care, Single Volume (4th E ; Condition. Good ; Quantity. 3 sold. 3 available ; Item Number. 302334993460. Critical Thinking in Client Care, Single Volume (4th Edition) Priscilla LeMone is the author of 'Medical-Surgical Nursing: Critical Thinking in Client Care, Single Volume (4th Edition)', published 2007 under ISBN ... ECHO BOARDS- SECOND EDITION-A Prep Guide for the ... CCI tests candidates abilities in one Test. Echo Boards has you covered to help you PASS your CCI Board Examination! This Book includes end chapter questions ... Registered Cardiac Sonographer (RCS) - CCI The RCS examination is designed to assess knowledge and skills in current practice. CCI provides an overview of the examination content including knowledge and ... Self-Assessment Exam - CCI - Cardiovascular Credentialing CCI's self-assessment exams are a resource in preparation for credentialing examinations. Available 24 hours a day via internet access. Adult Echocardiography Registry Review Prepare for success on the ARDMS or CCI Adult Echo Registry Exam using the registry review courses and practice exams on our website. Study the course with ... RCS Exam Overview This Examination Overview is meant to assist you as a prospective candidate of the Registered Cardiac Sonographer (RCS) credential- ing program. CCI echo test questions Folder Quizlet has study tools to help you learn anything. Improve your grades and ... CCI echo test questions. Sort or filter these sets. CCI Echocardiography ... CCI RCS Study Guide Flashcards Study with Quizlet and memorize flashcards containing terms like Cavitation is, The 6 intensities from highest to lowest are, What tricuspid valve leaflets ... Adult Echocardiography Registry Review - Gold Package Adult Echocardiography Registry Review Online Course provides a comprehensive review for successful certification exam completion. The adult cardiac ultrasound ... Any recommendations for materials CCI RCS exam Which websites are the best and exactly near actual CCI RCS: Exam edge or Ultrasound Board Review ... Hello do you still have the study guide?