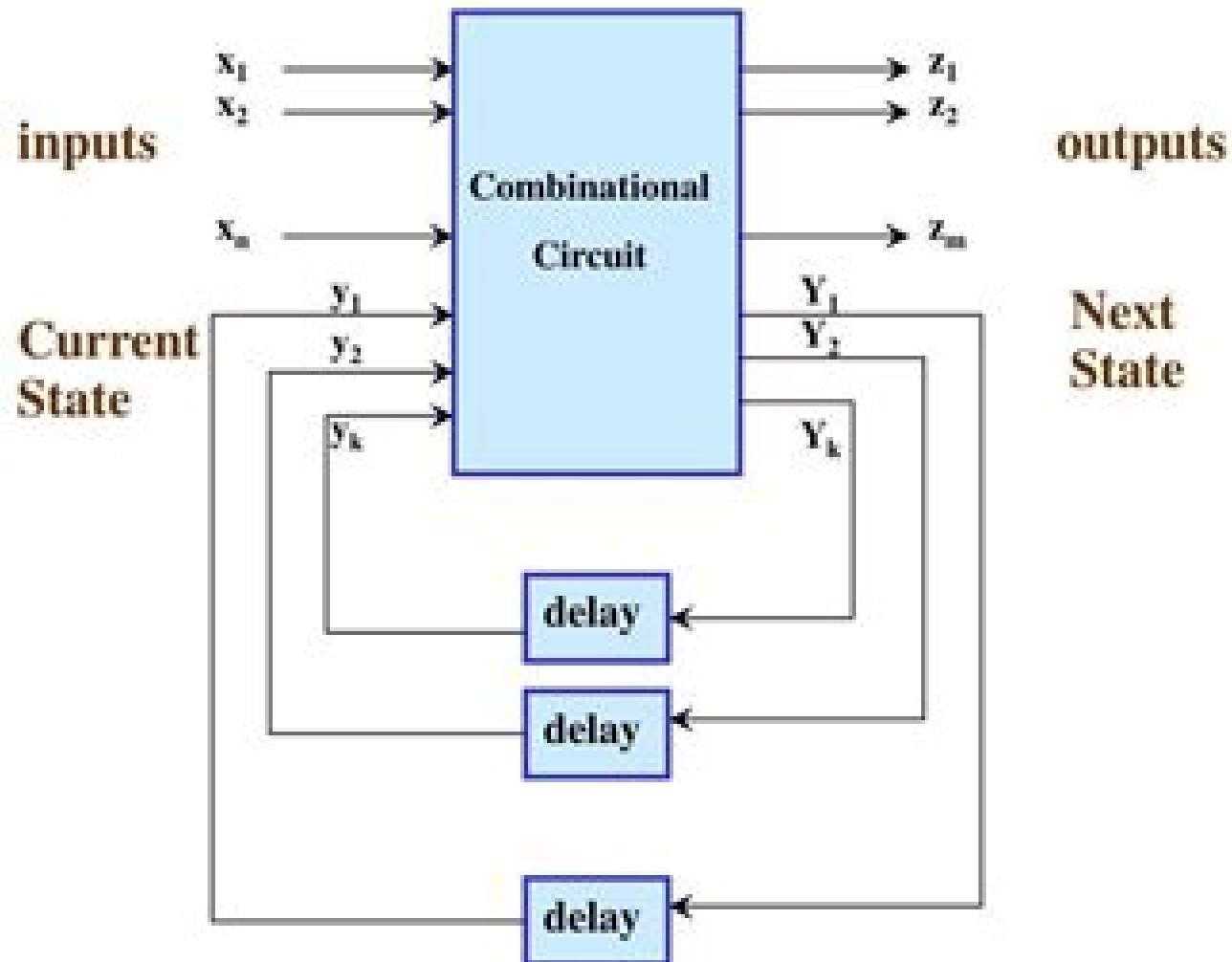


# Asynch. Sequential Circuit



# Asynchronous Circuits

**B Lingard**



## **Asynchronous Circuits:**

## Unveiling the Energy of Verbal Art: An Mental Sojourn through **Asynchronous Circuits**

In a world inundated with displays and the cacophony of instantaneous conversation, the profound power and emotional resonance of verbal beauty frequently disappear in to obscurity, eclipsed by the continuous barrage of sound and distractions. Yet, set within the lyrical pages of **Asynchronous Circuits**, a charming work of fictional elegance that pulses with raw thoughts, lies an remarkable journey waiting to be embarked upon. Penned with a virtuoso wordsmith, this mesmerizing opus books visitors on a mental odyssey, softly revealing the latent potential and profound affect stuck within the delicate internet of language. Within the heart-wrenching expanse of the evocative analysis, we will embark upon an introspective exploration of the book is central subjects, dissect their charming publishing type, and immerse ourselves in the indelible impression it leaves upon the depths of readers souls.

[https://www.cruiselady.com/book/scholarship/Download\\_PDFS/A\\_Concise\\_Survey\\_Of\\_French\\_Literature.pdf](https://www.cruiselady.com/book/scholarship/Download_PDFS/A_Concise_Survey_Of_French_Literature.pdf)

### **Table of Contents Asynchronous Circuits**

1. Understanding the eBook Asynchronous Circuits
  - The Rise of Digital Reading Asynchronous Circuits
  - Advantages of eBooks Over Traditional Books
2. Identifying Asynchronous Circuits
  - Exploring Different Genres
  - Considering Fiction vs. Non-Fiction
  - Determining Your Reading Goals
3. Choosing the Right eBook Platform
  - Popular eBook Platforms
  - Features to Look for in an Asynchronous Circuits
  - User-Friendly Interface
4. Exploring eBook Recommendations from Asynchronous Circuits
  - Personalized Recommendations

- Asynchronous Circuits User Reviews and Ratings
- Asynchronous Circuits and Bestseller Lists
- 5. Accessing Asynchronous Circuits Free and Paid eBooks
  - Asynchronous Circuits Public Domain eBooks
  - Asynchronous Circuits eBook Subscription Services
  - Asynchronous Circuits Budget-Friendly Options
- 6. Navigating Asynchronous Circuits eBook Formats
  - ePub, PDF, MOBI, and More
  - Asynchronous Circuits Compatibility with Devices
  - Asynchronous Circuits Enhanced eBook Features
- 7. Enhancing Your Reading Experience
  - Adjustable Fonts and Text Sizes of Asynchronous Circuits
  - Highlighting and Note-Taking Asynchronous Circuits
  - Interactive Elements Asynchronous Circuits
- 8. Staying Engaged with Asynchronous Circuits
  - Joining Online Reading Communities
  - Participating in Virtual Book Clubs
  - Following Authors and Publishers Asynchronous Circuits
- 9. Balancing eBooks and Physical Books Asynchronous Circuits
  - Benefits of a Digital Library
  - Creating a Diverse Reading Collection Asynchronous Circuits
- 10. Overcoming Reading Challenges
  - Dealing with Digital Eye Strain
  - Minimizing Distractions
  - Managing Screen Time
- 11. Cultivating a Reading Routine Asynchronous Circuits
  - Setting Reading Goals Asynchronous Circuits
  - Carving Out Dedicated Reading Time
- 12. Sourcing Reliable Information of Asynchronous Circuits
  - Fact-Checking eBook Content of Asynchronous Circuits

- Distinguishing Credible Sources
13. Promoting Lifelong Learning
- Utilizing eBooks for Skill Development
  - Exploring Educational eBooks
14. Embracing eBook Trends
- Integration of Multimedia Elements
  - Interactive and Gamified eBooks

### **Asynchronous Circuits Introduction**

Free PDF Books and Manuals for Download: Unlocking Knowledge at Your Fingertips In today's fast-paced digital age, obtaining valuable knowledge has become easier than ever. Thanks to the internet, a vast array of books and manuals are now available for free download in PDF format. Whether you are a student, professional, or simply an avid reader, this treasure trove of downloadable resources offers a wealth of information, conveniently accessible anytime, anywhere. The advent of online libraries and platforms dedicated to sharing knowledge has revolutionized the way we consume information. No longer confined to physical libraries or bookstores, readers can now access an extensive collection of digital books and manuals with just a few clicks. These resources, available in PDF, Microsoft Word, and PowerPoint formats, cater to a wide range of interests, including literature, technology, science, history, and much more. One notable platform where you can explore and download free Asynchronous Circuits PDF books and manuals is the internet's largest free library. Hosted online, this catalog compiles a vast assortment of documents, making it a veritable goldmine of knowledge. With its easy-to-use website interface and customizable PDF generator, this platform offers a user-friendly experience, allowing individuals to effortlessly navigate and access the information they seek. The availability of free PDF books and manuals on this platform demonstrates its commitment to democratizing education and empowering individuals with the tools needed to succeed in their chosen fields. It allows anyone, regardless of their background or financial limitations, to expand their horizons and gain insights from experts in various disciplines. One of the most significant advantages of downloading PDF books and manuals lies in their portability. Unlike physical copies, digital books can be stored and carried on a single device, such as a tablet or smartphone, saving valuable space and weight. This convenience makes it possible for readers to have their entire library at their fingertips, whether they are commuting, traveling, or simply enjoying a lazy afternoon at home. Additionally, digital files are easily searchable, enabling readers to locate specific information within seconds. With a few keystrokes, users can search for keywords, topics, or phrases, making research and finding relevant information a breeze. This efficiency saves time and effort, streamlining the learning process and allowing individuals to focus on extracting the information they

need. Furthermore, the availability of free PDF books and manuals fosters a culture of continuous learning. By removing financial barriers, more people can access educational resources and pursue lifelong learning, contributing to personal growth and professional development. This democratization of knowledge promotes intellectual curiosity and empowers individuals to become lifelong learners, promoting progress and innovation in various fields. It is worth noting that while accessing free Asynchronous Circuits PDF books and manuals is convenient and cost-effective, it is vital to respect copyright laws and intellectual property rights. Platforms offering free downloads often operate within legal boundaries, ensuring that the materials they provide are either in the public domain or authorized for distribution. By adhering to copyright laws, users can enjoy the benefits of free access to knowledge while supporting the authors and publishers who make these resources available. In conclusion, the availability of Asynchronous Circuits free PDF books and manuals for download has revolutionized the way we access and consume knowledge. With just a few clicks, individuals can explore a vast collection of resources across different disciplines, all free of charge. This accessibility empowers individuals to become lifelong learners, contributing to personal growth, professional development, and the advancement of society as a whole. So why not unlock a world of knowledge today? Start exploring the vast sea of free PDF books and manuals waiting to be discovered right at your fingertips.

## **FAQs About Asynchronous Circuits Books**

**What is a Asynchronous Circuits PDF?** A PDF (Portable Document Format) is a file format developed by Adobe that preserves the layout and formatting of a document, regardless of the software, hardware, or operating system used to view or print it. **How do I create a Asynchronous Circuits PDF?** There are several ways to create a PDF: Use software like Adobe Acrobat, Microsoft Word, or Google Docs, which often have built-in PDF creation tools. Print to PDF: Many applications and operating systems have a "Print to PDF" option that allows you to save a document as a PDF file instead of printing it on paper. Online converters: There are various online tools that can convert different file types to PDF. **How do I edit a Asynchronous Circuits PDF?** Editing a PDF can be done with software like Adobe Acrobat, which allows direct editing of text, images, and other elements within the PDF. Some free tools, like PDFescape or Smallpdf, also offer basic editing capabilities. **How do I convert a Asynchronous Circuits PDF to another file format?** There are multiple ways to convert a PDF to another format: Use online converters like Smallpdf, Zamzar, or Adobe Acrobats export feature to convert PDFs to formats like Word, Excel, JPEG, etc. Software like Adobe Acrobat, Microsoft Word, or other PDF editors may have options to export or save PDFs in different formats. **How do I password-protect a Asynchronous Circuits PDF?** Most PDF editing software allows you to add password protection. In Adobe Acrobat, for instance, you can go to "File" -> "Properties"

-> "Security" to set a password to restrict access or editing capabilities. Are there any free alternatives to Adobe Acrobat for working with PDFs? Yes, there are many free alternatives for working with PDFs, such as: LibreOffice: Offers PDF editing features. PDFsam: Allows splitting, merging, and editing PDFs. Foxit Reader: Provides basic PDF viewing and editing capabilities. How do I compress a PDF file? You can use online tools like Smallpdf, ILovePDF, or desktop software like Adobe Acrobat to compress PDF files without significant quality loss. Compression reduces the file size, making it easier to share and download. Can I fill out forms in a PDF file? Yes, most PDF viewers/editors like Adobe Acrobat, Preview (on Mac), or various online tools allow you to fill out forms in PDF files by selecting text fields and entering information. Are there any restrictions when working with PDFs? Some PDFs might have restrictions set by their creator, such as password protection, editing restrictions, or print restrictions. Breaking these restrictions might require specific software or tools, which may or may not be legal depending on the circumstances and local laws.

### **Find Asynchronous Circuits :**

a concise survey of french literature.

*a day of surprises*

~~a colour atlas of periodontal surgery~~

**a coloring of ships**

a daughters love remembering my father my teacher and my friend s

~~a fear remover a fun restorer~~

~~a coven of vampires~~

*a comprehensive guide to digital photographic output*

a duck so small

**a fiesta at twilight**

**a dream impossible**

a critical look at the idea of boot camp as a correctional reform

~~a fearful thing~~

a concept approach to spanish

*a complete history of world cup cricket*

**Asynchronous Circuits :**

*tsa cbt test your intro to a job at tsa tsa study guide* - Jul 24 2022

web the tsa cbt tests an individual s knowledge of airport safety and security issues such as passenger screening procedures aviation security regulations and operations the test consists of multiple choice questions from various subject areas and requires applicants to demonstrate their understanding of tsa procedures who is the tsa cbt test for

*tsa practice test prep terminal* - May 02 2023

web oct 12 2023 the transportation security administration tsa test also known as the tsa x ray ort object recognition test tsa cbt computer based test or tsa tso transportation security officer screener test is an essential part of the selection process for those seeking to work at airports particularly in the role of transportation security

**tsa practice test 2023 free tsa practice test guide** - Mar 20 2022

web jun 24 2023 a tsa practice test is one of the best steps to ensure that you are ready for the tsa test this article will show you how to study for the tsa cbt test in the most efficient way possible summary use the free tsa practice resources listed below to get your job with the tsa

[tsa test preparation youtube](#) - May 22 2022

web jun 15 2018 tsa test preparation start on your journey to make a difference as a tso officer conquer the first step in the interview process the tsa cbt test tsatestprep com tsa cbt t

[tsa cbt test a complete guide to passing the exam](#) - Apr 01 2023

web what is the tsa cbt test the tsa computer based test cbt is an exam that assesses candidates on two primary subjects their ability to clearly interpret x ray images and their fluency in the english language tsa computer based test 60 english skills and 100 x ray image questions transportation security administration testing center

**tsa practice test 2023 free tsa practice test guide tsa cbt** - Aug 25 2022

web what is the tsa cbt test like when taking this tsa test be prepared to face two complex categories writers my assessment 60 questions x ray 100 questions the exam details are as hunts 160 total questions 2 5 hours to finish the exam will be pick at a testing center tsa examine writing skills assessment

[tsa cbt test writing skills assessment english test tsa](#) - Jan 30 2023

web the first section of tsa cbt test is the english test it is composed of about 60 multiple choice questions with a time limit and is divided into three categories vocabulary reading comprehension written communication start practicing now this page is a part of a serie about the tsa cbt test vocabulary

[free tsa cbt practice test answers for all versions](#) - Aug 05 2023

web sep 12 2023 tsa cbt test practice free tsa practice test free tsa cbt test practice guide for both x ray and newer test

version last update sep 12th 2023 tso candidates may receive one of two tsa cbt test versions x ray questions an english test section the original version 3 aptitude tests lasting 25 45 mins the new

[tsa cbt x ray test 2023 prep guide with practice questions](#) - Feb 28 2023

web the transportation security authority computer based test tsa cbt also known as the transportation security officer computer based test tso test is one of the first steps you ll take in the tso application process take practice test what is the test like how can i

**tsa cbt test prep the definitive practice guide for 2023** - Jun 03 2023

web what to expect on the tsa cbt test the tsa computer based test cbt you receive may be one of two variations of the test the tsa cbt x ray and english test takes 2 5 hours and is divided into five sessions with breaks between them contains 100 images in the x ray object recognition test ort section and 50 60 questions in the written section

[free tsa practice test english and x ray sample questions](#) - Oct 27 2022

web free tsa practice test english and x ray sample questions table of contents this page includes free tsa practice test questions and answers that will help you prepare for the tsa computer based test tsa cbt it covers the following topics english vocabulary 4 questions written communication 4 questions

**tsa cbt test threat categories free tests tsa career** - Sep 25 2022

web tsa cbt test faqs testimonials get all the best pointers and tips to help you answer questions in the different threat categories weapons drugs and tools you will encounter in the tsa cbt x ray image test and see how you do on our free practice questions

[tsa cbt practice test with study guide free samples and tips](#) - Oct 07 2023

web the transportation security authority computer based test tsa cbt test which can also be referred to as the transportation security officer test tso test is one of the early obstacles in the tsa hiring process the tsa uses the results of the tsa testing to easily parse out quality candidates

**tsa prep booster tsa cbt test prep course prep terminal** - Dec 29 2022

web oct 12 2023 bestseller 4 6 1589 reviews 8876 students last updated oct 12 2023 overview curriculum reviews changes in tsa selection procedure may 2023 and preterminal s updated course this course has undergone extensive updates to incorporate the most recent changes in the tsa exam

[how to pass the cbt exam youtube](#) - Apr 20 2022

web mar 30 2021 how to pass tsa cbt x ray test the tsa guy 29k views 11 months ago prepare for the tsa cbt test tsa test prep 129k views 2 years ago pass nmc cbt with ease all you need to

**tsa cbt test practice tests complete explanation tsa** - Sep 06 2023

web the tsa computer based test tsa cbt test is a test divided into two sections english language proficiency and x ray image interpretation skills the maximum duration of the test is 2 5 hours but many candidates finish well before this time limit

*tsa test prep prepare for the transportation security* - Nov 27 2022

web learn about the organization the different jobs you can have the application process and how to excel on the tsa cbt exams welcome to the tsa test prep site this site covers everything you need to know about landing a great career with the [free tsa cbt test practice 2023 prep guide at iprep](#) - Feb 16 2022

web jan 28 2020 free tsa cbt practice test in this tsa cbt xray sample exercise your goal is to perceive whether cameras or shoes are found in the following plays of luggage klicken are a several examples of cameras plus shoes more they appear through x ray scanning study this examples the later move on to the sampler items

**tsa cbt x ray test ort practice info and tips 2023** - Jun 22 2022

web dec 24 2019 find out how to pass the tsa computer based test and learn how to detect objects in x ray images to learn more and practice jobtestprep com ts

**free tsa cbt test practice 2023 prep guide by iprep** - Jul 04 2023

web jan 28 2020 the tsa cbt is a crucial step in the tsa hiring process designed to assess a candidate s suitability for a role in ensuring the safety and security of travelers across the united states here s a snapshot of what the test entails

[katharina von medici wissen digital de](#) - May 22 2022

web katharina von medici aus wissen digital de französische königin 13 april 1519 in florenz 5 januar 1589 in blois datei kron2046 jpg heinrich ii mit familie sie

**katharina von medici strategin der macht und pion copy** - Dec 17 2021

web geprägt und den lauf der geschichte verändert haben und hebt den spezifischen punkt weiblicher macht hervor der mit klugem kalkül und großer opferbereitschaft einherging

**katharina von medici strategin der macht und pionierin der** - Jan 30 2023

web katharina von medici strategin der macht und pionierin der neuzeit finden sie alle bücher von appel sabine bei der büchersuchmaschine eurobuch com können sie

**katharina von medici strategin der macht und pionierin der** - Oct 07 2023

web katharina von medici strategin der macht und pionierin der neuzeit appel sabine isbn 9783608961980 kostenloser versand für alle bücher mit versand und verkauf

**katharina von medici strategin der macht und pionierin der neuzeit** - Apr 01 2023

web katharina von medici strategin der macht und pionierin der neuzeit ebook written by sabine appel read this book using google play books app on your pc android ios

**katharina von medici strategin der macht und pionierin der** - Feb 28 2023

web katharina von medici strategin der macht und pionierin der neuzeit ebook appel sabine amazon de kindle store

**katharina von medici strategin der macht und pionierin der** - Jun 03 2023

web katharina von medici strategin der macht und pionierin der neuzeit author sabine appel publisher klett cotta 2018 isbn 3608961984 9783608961980 length 474

**katharina von medici strategin der macht und pion store spiralny** - Jul 24 2022

web katharina von medici strategin der macht und pion downloaded from store spiralny com by guest koch small the code of capital business expert press

*katharina von medici strategin der macht und pion wrbb neu* - Aug 25 2022

web this online declaration katharina von medici strategin der macht und pion can be one of the options to accompany you taking into account having further time it will not waste

**katharina von medici strategin der macht und pion copy** - Nov 15 2021

web oct 8 2023 katharina von medici strategin der macht und pion 2 7 downloaded from uniport edu ng on october 8 2023 by guest established easy to understand varieties

katharina von medici strategin der macht und pionierin der - May 02 2023

web katharina von medici gestaltete als moderne realpolitikerin über jahrzehnte die geschicke europas in einer epoche der gewaltsamen umbrüche so eines der

*katharina von medici strategin der macht und pionierin der* - Jul 04 2023

web in den lebensbeschreibungen goethes nietzsches und schopenhauers heinrichs viii oder der madame de staël lädt die autorin zum spaziergang durch werk und leben

item detail library search emory libraries - Nov 27 2022

web katharina von medici strategin der macht und pionierin der neuzeit sabine appel subjects genre subjects catherine de médicis queen consort of henry ii king of

katharina von medici strategin der macht und pionierin der - Aug 05 2023

web katharina ist teenager und die welt der medici die welt in und um florenz das sich unter lorenzo dem prächtigen zum schmuckstück der welt aufschwung ist wieder in

**katharina von medici strategin der macht und pion** - Mar 20 2022

web katharina von medici strategin der macht und pion katharina von medici strategin der macht und pion 2 downloaded from ceu social on 2021 04 09 by guest a

**katharina von medici strategin der macht und pion pdf** - Sep 25 2022

web das konzept der deutungsmacht fragt nach der macht zur deutung und der macht der deutung es reagiert damit auf die latente machtvergessenheit hermeneutischer

*amazon de kundenrezensionen katharina von medici strategin* - Dec 29 2022

web katharina von medici strategin der macht und pionierin der neuzeit kundenrezensionen 4 3 von 5 sternern 27 globale bewertungen katharina von

**pdf katharina von medici strategin der macht und pion** - Oct 27 2022

web katharina von medici strategin der macht und pion der wanderer wien 1814 1873 dec 07 2020 a london bibliography of the social sciences may 12 2021 vols 1 4

**katharina von medici strategin der macht und pion copy** - Apr 20 2022

web aug 28 2023 katharina von medici strategin der macht und pion is available in our book collection an online access to it is set as public so you can download it instantly

**katharina von medici strategin der macht und pionierin der** - Sep 06 2023

web renaissancefürstin und wegbereiterin der neuzeit anschaulich schildert sabine appel leben und handeln einer der faszinierendsten und umstrittensten herrscherinnen

**katharina von medici strategin der macht und pion uniport edu** - Feb 16 2022

web oct 7 2023 katharina von medici strategin der macht und pion 2 8 downloaded from uniport edu ng on october 7 2023 by guest medici kleine leiden des ehestandes

katharina von medici strategin der macht und pion uniport edu - Jan 18 2022

web katharina von medici strategin der macht und pion 1 5 downloaded from uniport edu ng on october 9 2023 by guest katharina von medici strategin der macht und pion as

**katharina von medici strategin der macht und pion** - Jun 22 2022

web katharina von medici strategin der macht und pion artistry in bronze innsbrucker historische studien bibliographie internationale des recensions de la littérature savante

**2019 2020 pocket planner nifty two year mermaid** - Dec 13 2022

web mya 2020 2021 nifty 2 year monthly pocket planner and organizer with phone book password log notes two year 24 months agenda and calendar floral

**pdf 2019 2020 2 year pocket planner nifty two year ma** - Apr 17 2023

web your planner designed and printed in usa 2019 2020 2 year pocket planner may 04 2020 2019 2020 monthly pocket planner our on trend stylish pocket planners are

**2019 2020 2 year pocket planner nifty two year ma copy** - Sep 10 2022

web 2019 2020 2 year pocket planner nifty two year ma right here we have countless ebook 2019 2020 2 year pocket planner nifty two year ma and collections to check

**2022 2024 dönemi yatırım genelgesi ve eki yatırım programı** - Apr 05 2022

web i ĞÇĞndekĖler aÇiklamalar ii

mya 2020 2021 nifty 2 year monthly pocket planner and - Nov 12 2022

web 2019 2020 nifty horse lover two year monthly pocket planner with phone book password log and notebook cute small at a glance calendar organizer and agenda

*2019 2020 2 year pocket planner nifty two year ma pdf* - Jan 14 2023

web their favorite readings like this 2019 2020 2 year pocket planner nifty two year ma but end up in infectious downloads rather than enjoying a good book with a cup of tea in

*2019 2020 2 year pocket planner nifty two year ma copy* - Feb 03 2022

web feb 3 2022 2 sınıf 21 hafta günlük planlar 20 Şubat 24 Şubat 2 sınıf 21 hafta günlük planlar 19 ve 20 hafta birleşimi 2 sınıf 10 hafta günlük planlar 2 sınıf

2019 2020 2 year pocket planner nifty two year ma pdf pdf - Mar 16 2023

web apr 29 2023 2019 2020 2 year pocket planner nifty two year ma pdf is within reach in our digital library an online access to it is set as public so you can download it instantly

**2019 2020 2 year pocket planner nifty two year ma htaccess** - Jul 08 2022

web publication 2019 2020 2 year pocket planner nifty two year ma pdf that you are looking for it will unquestionably squander the time however below taking into account you visit

*2019 2020 2 year pocket planner nifty two year ma pdf brian* - Oct 31 2021

2 sınıf 20 hafta günlük plânlar egitimhane com - Jan 02 2022

web 2021 2022 2 sınıf yıllık planları matematik meb hayat bilgisi meb türkçe koza

2019 2020 2 year pocket planner nifty two year ma canadian - Aug 09 2022

web you could quickly download this 2019 2020 2 year pocket planner nifty two year ma after getting deal so taking into consideration you require the book swiftly you can

2019 2020 pocket planner nifty dark purple two year mermaid - Jul 20 2023

web 2019 2020 pocket planner nifty dark purple two year mermaid scale monthly pocket planner with phone book password log and notebook pretty calendar organizer and

2019 2020 2 year pocket planner nifty two year ma arthur l - Jun 19 2023

web 2019 2020 2 year pocket planner nifty two year ma is available in our digital library an online access to it is set as public so you can download it instantly our books collection

**2019 2020 2 year pocket planner nifty two year marble gold** - Aug 21 2023

web 2019 2020 2 year pocket planner nifty two year marble gold planner with phone book password log and notebook pretty marble veins 24 month may 28th 2020 these 2

**2019 2020 nifty horse lover two year monthly pocket planner** - Oct 11 2022

web 2019 2020 2 year pocket planner stop wishing start doing 2019 2020 2 year pocket diary make shit happen pocket planner 2019 2020 month to view uk edition 2019

pocket planner 2020 2021 nifty two year monthly pocket - May 18 2023

web pocket planner 2020 2021 nifty two year monthly pocket planner schedule agenda 2 year organizer calendar with inspirational quotes phone book vision board

2019 2020 2 year pocket planner nifty two year ma pdf john m - Jun 07 2022

web developed and refined over two years of onsite training with excel users around the world and the key lessons from those seminars costing thousands of dollars per day are now

**2 sınıf yıllık planları 2021 2022 mustafa turan** - Dec 01 2021

web may 21 2023 2019 2020 2 year pocket planner nifty two year ma pdf yeah reviewing a book 2019 2020 2 year pocket planner nifty two year ma pdf could increase your

**2019 2020 2 year pocket planner nifty two year ma canadian** - May 06 2022

web sep 10 2021 2022 2024 dönemi yatırım programı hazırlıkları ile ilgili 2021 19 sayılı cumhurbaşkanlığı

**hesap açma megep meb gov tr** - Mar 04 2022

web practically what you need currently this 2019 2020 2 year pocket planner nifty two year ma as one of the most on the go sellers here will very be along with the best options to

**2020 2021 pocket planner nifty two year 24 months monthly** - Feb 15 2023

web 2020 2021 pocket planner nifty two year 24 months monthly pocket planner and agenda 2 year organizer with phone book password log notebook pretty cartoon