

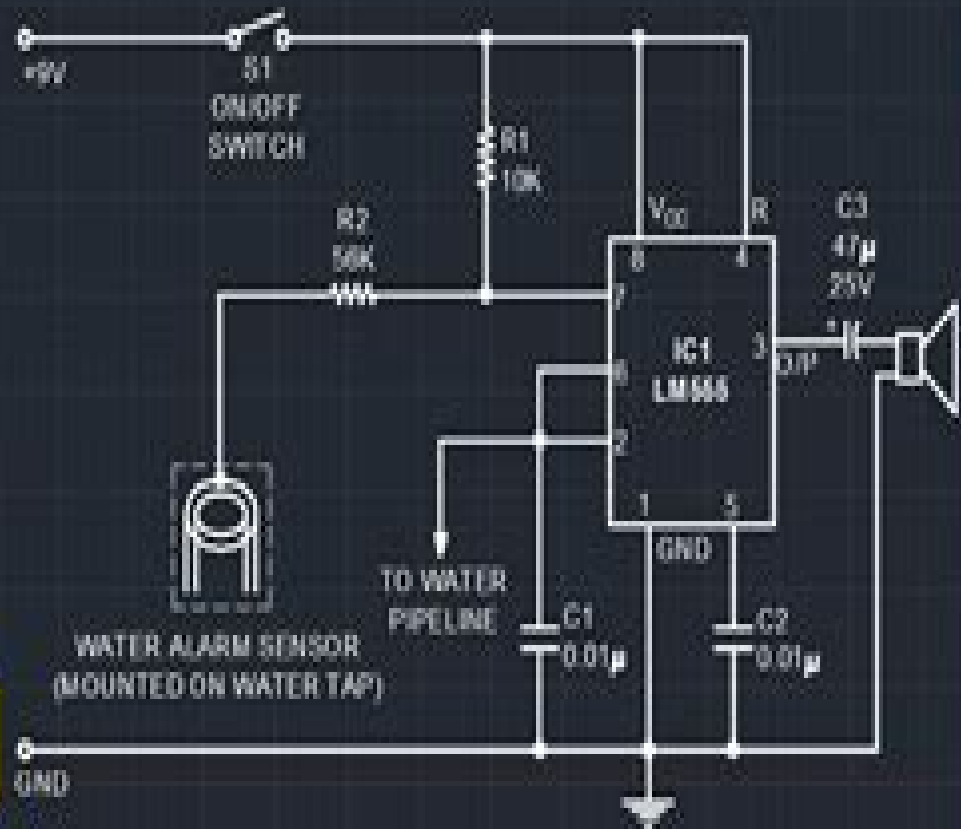


AutoCAD

Tutorial for

Electronics

Engineering



Autocad For Electronics A Tutorial

Y Pai



Autocad For Electronics A Tutorial:

AutoCad for Electronics Thomas Tumilty, 1995-12 Using AutoCAD at an introductory level this tutorial demonstrates the basic building blocks of mechanical and electrical drafting for electronics applications Throughout the text students develop the manufacturing drawings for a single project using AutoCAD to design the printed circuit boards layout schematic diagrams and produce assembly drawings AutoCAD Electrical 2021: A Tutorial Approach, 2nd Edition Prof. Sham Tickoo, 2020-10-20 The AutoCAD Electrical 2021 A Tutorial Approach is a tutorial based book that introduces the readers to AutoCAD Electrical 2021 software designed specifically for creating professional electrical control drawings The book has a wide range of tutorials covering the tools and features of AutoCAD Electrical such as schematic drawings panel drawings parametric and nonparametric PLC modules ladder diagrams Circuit Builder point to point wiring diagrams report generation creation of symbols and so on These tutorials will enable the users to create innovative electrical control drawings with ease Moreover the tutorials used ensure that the users can relate the information provided in this book with the practical industry designs The chapters in this book are arranged in a pedagogical sequence that makes it very effective in learning the features and capabilities of the software Salient Features Consists of 13 chapters that are organized in a pedagogical sequence Brief coverage of AutoCAD Electrical 2021 concepts and techniques Tutorial approach to explain the concepts of AutoCAD Electrical 2021 Step by step instructions to guide the users through the learning process More than 38 tutorials and one student project Additional information throughout the book in the form of notes and tips Self Evaluation Tests and Review Questions at the end of each chapter to help the users assess their knowledge Table of Contents Chapter 1 Introduction to AutoCAD Electrical 2021 Chapter 2 Working with Projects and Drawings Enhanced Chapter 3 Working with Wires Chapter 4 Creating Ladders Enhanced Chapter 5 Schematic Components Enhanced Chapter 6 Schematic Editing Chapter 7 Connectors Point To Point Wiring Diagrams and Circuits Chapter 8 Panel Layouts Enhanced Chapter 9 Schematic and Panel Reports Chapter 10 PLC Modules Chapter 11 Terminals Enhanced Chapter 12 Settings Configuration Templates and Plotting Chapter 13 Creating Symbols Student Project Index About the Authors CAD/CIM Technologies Prof Sham Tickoo of Purdue University Northwest and the team of dedicated contributing authors at CAD/CIM Technologies are committed to bring you the best Textbooks eBooks and free teaching and learning resources on CAD CAM CAE Computer Programming and Applications GIS Civil Animation and Visual Effects and related technologies We strive to be the first and the best That is our promise and our goal Our team of authors consists of highly qualified and experienced Engineers who have a strong academic and industrial background They understand the needs of the students the faculty and the challenges the students face when they start working in the industry All our books have been structured in a way that facilitates teaching and learning and also exposes students to real world applications The textbooks apart from providing comprehensive study material are well appreciated for the simplicity of content clarity of style and the in depth coverage of the subject

AutoCAD Electrical 2026 with Videos: A Tutorial Approach, 7th Edition Prof. Sham Tickoo, 2025-10-28 The AutoCAD Electrical 2026 with Videos A Tutorial Approach is a tutorial based book that introduces the readers to AutoCAD Electrical 2026 software designed specifically for creating professional electrical control drawings The book has a wide range of tutorials covering the tools and features of AutoCAD Electrical such as schematic drawings panel drawings parametric and nonparametric PLC modules ladder diagrams Circuit Builder point to point wiring diagrams report generation creation of symbols and so on These tutorials will enable the users to create innovative electrical control drawings with ease Moreover the tutorials used ensure that the users can relate the information provided in this book with the practical industry designs The chapters in this book are arranged in a pedagogical sequence that makes it very effective in learning the features and capabilities of the software In this edition the author has covered enhancements in topics such as project properties copying projects catalog database bill of material reports terminal strips and so on Salient Features Consists of 13 chapters that are organized in a pedagogical sequence Brief coverage of AutoCAD Electrical 2026 concepts and techniques Tutorial approach to explain the concepts of AutoCAD Electrical 2026 Step by step instructions to guide the users through the learning process More than 42 tutorials and one student project Consists of 50 tutorial videos which will make understanding of tutorials much easier and effective Additional information throughout the book in the form of notes and tips Self Evaluation Tests Review Questions and Exercises at the end of each chapter to help the users assess their knowledge Table of Contents Chapter 1 Introduction to AutoCAD Electrical 2026 Chapter 2 Working with Projects and Drawings Chapter 3 Working with Wires Chapter 4 Creating Ladders Chapter 5 Schematic Components Chapter 6 Schematic Editing Chapter 7 Connectors Point To Point Wiring Diagrams and Circuits Chapter 8 Panel Layouts Chapter 9 Schematic and Panel Reports Chapter 10 PLC Modules Chapter 11 Terminals Chapter 12 Settings Configuration Templates and Plotting Chapter 13 Creating Symbols Student Project Index

AutoCAD Electrical 2020: A Tutorial Approach Prof. Sham Tickoo, 2020 The AutoCAD Electrical 2020 A Tutorial Approach is a tutorial based book that introduces the readers to AutoCAD Electrical 2020 software designed specifically for creating professional electrical control drawings The book has a wide range of tutorials covering the tools and features of AutoCAD Electrical such as schematic drawings panel drawings parametric and nonparametric PLC modules ladder diagrams Circuit Builder point to point wiring diagrams report generation creation of symbols and so on These tutorials will enable the users to create innovative electrical control drawings with ease Moreover the tutorials used ensure that the users can relate the information provided in this book with the practical industry designs The chapters in this book are arranged in a pedagogical sequence that makes it very effective in learning the features and capabilities of the software Salient Features Consists of 13 chapters that are organized in a pedagogical sequence Brief coverage of AutoCAD Electrical 2020 concepts and techniques Tutorial approach to explain the concepts of AutoCAD Electrical 2020 Step by step instructions to guide the users through the learning process More than 35 tutorials and one student project Additional

information throughout the book in the form of notes and tips Self Evaluation Tests and Review Questions at the end of each chapter to help the users assess their knowledge Table of Contents Chapter 1 Introduction to AutoCAD Electrical 2020 Chapter 2 Working with Projects and Drawings Chapter 3 Working with Wires Chapter 4 Creating Ladders Chapter 5 Schematic Components Chapter 6 Schematic Editing Chapter 7 Connectors Point To Point Wiring Diagrams and Circuits Chapter 8 Panel Layouts Chapter 9 Schematic and Panel Reports Chapter 10 PLC Modules Chapter 11 Terminals Chapter 12 Settings Configuration Templates and Plotting Chapter 13 Creating Symbols Student Project Index

Whitaker's Book List ,1991 **Printed Circuit Board Design Using AutoCAD** Chris Schroeder,1998 Introduction to PCB Design Schematic Drafting Single Sided PCB Design Double Sided PCB Design Surface Mount PCB Design Importing Gerber Files for Manufacturing Documentation Importing HPGL Files for Manufacturing Documentation Importing Gerber Artwork Files for Viewing Importing Excellon Format NC Drill Data Converting HPGL to Gerber Format Appendix A Gerber Format Appendix B Excellon Format Appendix C HPGL Format Appendix D Information about the Disk Supplied with the Book Index

Paperbound Books in Print ,1992 [Subject Guide to Books in Print](#) ,2001 **InfoWorld** ,1988-03-21 InfoWorld is targeted to Senior IT professionals Content is segmented into Channels and Topic Centers InfoWorld also celebrates people companies and projects

American Book Publishing Record Cumulative 1998 R R Bowker Publishing,1999-03

Vocational and Technical Resources for Community College Libraries Mary Ann Laun,1995 **Forthcoming Books** Rose Army,1999-08 **SolidWorks 2010 Bible** Matt Lombard,2010-03-05 The only guide you need to learn the leading 3D solid modeler program SolidWorks This in depth guide goes into extensive detail not just on how the software works but in many cases why it works the way it does SolidWorks is a powerful 3D solid modeling system that is popular with CAD users everywhere but to become really proficient at the more involved functionality in SolidWorks one really needs specialized training or a comprehensive book like the SolidWorks Bible Thoroughly covers SolidWork features using real world examples Author Matt Lombard is well known and well respected in the SolidWorks community and host a popular SolidWorks blog called [deizgnstuff](#) Get the guidance you need to efficiently learn and master SolidWorks Note CD ROM DVD and other supplementary materials are not included as part of eBook file

AutoCAD Electrical 2022: A Tutorial Approach, 3rd Edition Prof. Sham Tickoo,2022-01-05 The AutoCAD Electrical 2022 A Tutorial Approach is a tutorial based book that introduces the readers to AutoCAD Electrical 2022 software designed specifically for creating professional electrical control drawings The book has a wide range of tutorials covering the tools and features of AutoCAD Electrical such as schematic drawings panel drawings parametric and nonparametric PLC modules ladder diagrams Circuit Builder and point to point wiring diagrams report generation creation of symbols and so on These tutorials will enable the users to create innovative electrical control drawings with ease Moreover the tutorials are used to ensure that the users can relate the information provided in this book with the practical industry designs The chapters in this book are arranged in a pedagogical sequence

that makes it very effective in learning the features and capabilities of the software To enhance the knowledge of users in this edition the author has added some new tutorials on concepts such as Customizing the Templates and Title block as well as on tools such as Show Wire Sequence and Insert Wblocked Circuit Salient Features Consists of 13 chapters that are organized in a pedagogical sequence Brief coverage of AutoCAD Electrical 2022 concepts and techniques Tutorial approach to explain the concepts of AutoCAD Electrical 2022 Step by step instructions guide the users through the learning process More than 38 tutorials and one student project Additional information throughout the book in the form of notes and tips Self Evaluation Tests and Review Questions at the end of each chapter to help the users assess their knowledge Table of Contents Chapter 1 Introduction to AutoCAD Electrical 2022 Chapter 2 Working with Projects and Drawings Enhanced Chapter 3 Working with Wires Chapter 4 Creating Ladders Chapter 5 Schematic Components Chapter 6 Schematic Editing Chapter 7 Connectors Point To Point Wiring Diagrams and Circuits Enhanced Chapter 8 Panel Layouts Chapter 9 Schematic and Panel Reports Chapter 10 PLC Modules Chapter 11 Terminals Chapter 12 Settings Configuration Templates and Plotting Chapter 13 Creating Symbols Student Project Index AutoCAD Electrical 2024: A Tutorial Approach, 5th Edition Prof. Sham Tickoo,2023-12-06 The AutoCAD Electrical 2024 A Tutorial Approach is a tutorial based book that introduces the readers to AutoCAD Electrical 2024 software designed specifically for creating professional electrical control drawings The book has a wide range of tutorials covering the tools and features of AutoCAD Electrical such as schematic drawings panel drawings parametric and nonparametric PLC modules ladder diagrams Circuit Builder point to point wiring diagrams report generation creation of symbols and so on These tutorials will enable the users to create innovative electrical control drawings with ease Moreover the tutorials used ensure that the users can relate the information provided in this book with the practical industry designs The chapters in this book are arranged in a pedagogical sequence that makes it very effective in learning the features and capabilities of the software In this edition a new feature Symbol list report has been added Also the author has covered enhancements in topics such as Wire type synchronization and Markup Assist Salient Features Consists of 13 chapters that are organized in a pedagogical sequence Brief coverage of AutoCAD Electrical 2024 concepts and techniques Tutorial approach to explain the concepts of AutoCAD Electrical 2024 Step by step instructions to guide the users through the learning process More than 38 tutorials and one student project Additional information throughout the book in the form of notes and tips Self Evaluation Tests and Review Questions at the end of each chapter to help the users assess their knowledge Table of Contents Chapter 1 Introduction to AutoCAD Electrical 2024 Chapter 2 Working with Projects and Drawings Chapter 3 Working with Wires Chapter 4 Creating Ladders Chapter 5 Schematic Components Chapter 6 Schematic Editing Chapter 7 Connectors Point To Point Wiring Diagrams and Circuits Chapter 8 Panel Layouts Chapter 9 Schematic and Panel Reports Chapter 10 PLC Modules Chapter 11 Terminals Chapter 12 Settings Configuration Templates and Plotting Chapter 13 Creating Symbols Student Project Index **AutoCAD Electrical 2025: A Tutorial Approach, 6th Edition**

Prof. Sham Tickoo,2024-12-11 The AutoCAD Electrical 2025 A Tutorial Approach is a tutorial based book that introduces the readers to AutoCAD Electrical 2025 software designed specifically for creating professional electrical control drawings The book has a wide range of tutorials covering the tools and features of AutoCAD Electrical such as schematic drawings panel drawings parametric and nonparametric PLC modules ladder diagrams Circuit Builder point to point wiring diagrams report generation creation of symbols and so on These tutorials will enable the users to create innovative electrical control drawings with ease Moreover the tutorials used ensure that the users can relate the information provided in this book with the practical industry designs The chapters in this book are arranged in a pedagogical sequence that makes it very effective in learning the features and capabilities of the software In this edition the author has covered enhancements in topics such as Wire type synchronization Automatic reports and Symbol list reports Salient Features Consists of 13 chapters that are organized in a pedagogical sequence Brief coverage of AutoCAD Electrical 2025 concepts and techniques Tutorial approach to explain the concepts of AutoCAD Electrical 2025 Step by step instructions to guide the users through the learning process More than 38 tutorials and one student project Additional information throughout the book in the form of notes and tips Self Evaluation Tests and Review Questions at the end of each chapter to help the users assess their knowledge Table of Contents Chapter 1 Introduction to AutoCAD Electrical 2025 Chapter 2 Working with Projects and Drawings Chapter 3 Working with Wires Chapter 4 Creating Ladders Chapter 5 Schematic Components Chapter 6 Schematic Editing Chapter 7 Connectors Point To Point Wiring Diagrams and Circuits Chapter 8 Panel Layouts Chapter 9 Schematic and Panel Reports Chapter 10 PLC Modules Chapter 11 Terminals Chapter 12 Settings Configuration Templates and Plotting Chapter 13 Creating Symbols Student Project Index *Scientific and Technical Aerospace Reports* ,1986 **The British National Bibliography** Arthur James Wells,2005 Autocad Electronics Tumility,1996-01-01 *InfoWorld* ,1985-11-25 InfoWorld is targeted to Senior IT professionals Content is segmented into Channels and Topic Centers InfoWorld also celebrates people companies and projects

This book delves into Autocad For Electronics A Tutorial. Autocad For Electronics A Tutorial is a crucial topic that must be grasped by everyone, from students and scholars to the general public. This book will furnish comprehensive and in-depth insights into Autocad For Electronics A Tutorial, encompassing both the fundamentals and more intricate discussions.

1. The book is structured into several chapters, namely:
 - Chapter 1: Introduction to Autocad For Electronics A Tutorial
 - Chapter 2: Essential Elements of Autocad For Electronics A Tutorial
 - Chapter 3: Autocad For Electronics A Tutorial in Everyday Life
 - Chapter 4: Autocad For Electronics A Tutorial in Specific Contexts
 - Chapter 5: Conclusion
 2. In chapter 1, the author will provide an overview of Autocad For Electronics A Tutorial. This chapter will explore what Autocad For Electronics A Tutorial is, why Autocad For Electronics A Tutorial is vital, and how to effectively learn about Autocad For Electronics A Tutorial.
 3. In chapter 2, this book will delve into the foundational concepts of Autocad For Electronics A Tutorial. This chapter will elucidate the essential principles that need to be understood to grasp Autocad For Electronics A Tutorial in its entirety.
 4. In chapter 3, the author will examine the practical applications of Autocad For Electronics A Tutorial in daily life. This chapter will showcase real-world examples of how Autocad For Electronics A Tutorial can be effectively utilized in everyday scenarios.
 5. In chapter 4, this book will scrutinize the relevance of Autocad For Electronics A Tutorial in specific contexts. The fourth chapter will explore how Autocad For Electronics A Tutorial is applied in specialized fields, such as education, business, and technology.
 6. In chapter 5, this book will draw a conclusion about Autocad For Electronics A Tutorial. This chapter will summarize the key points that have been discussed throughout the book.
- This book is crafted in an easy-to-understand language and is complemented by engaging illustrations. It is highly recommended for anyone seeking to gain a comprehensive understanding of Autocad For Electronics A Tutorial.

https://www.cruiselady.com/results/book-search/fetch.php/Easter_Program_Builder_11_Easter_Program_Builder.pdf

Table of Contents Autocad For Electronics A Tutorial

1. Understanding the eBook Autocad For Electronics A Tutorial
 - The Rise of Digital Reading Autocad For Electronics A Tutorial
 - Advantages of eBooks Over Traditional Books
2. Identifying Autocad For Electronics A Tutorial
 - Exploring Different Genres
 - Considering Fiction vs. Non-Fiction
 - Determining Your Reading Goals
3. Choosing the Right eBook Platform
 - Popular eBook Platforms
 - Features to Look for in an Autocad For Electronics A Tutorial
 - User-Friendly Interface
4. Exploring eBook Recommendations from Autocad For Electronics A Tutorial
 - Personalized Recommendations
 - Autocad For Electronics A Tutorial User Reviews and Ratings
 - Autocad For Electronics A Tutorial and Bestseller Lists
5. Accessing Autocad For Electronics A Tutorial Free and Paid eBooks
 - Autocad For Electronics A Tutorial Public Domain eBooks
 - Autocad For Electronics A Tutorial eBook Subscription Services
 - Autocad For Electronics A Tutorial Budget-Friendly Options
6. Navigating Autocad For Electronics A Tutorial eBook Formats
 - ePub, PDF, MOBI, and More
 - Autocad For Electronics A Tutorial Compatibility with Devices
 - Autocad For Electronics A Tutorial Enhanced eBook Features
7. Enhancing Your Reading Experience
 - Adjustable Fonts and Text Sizes of Autocad For Electronics A Tutorial
 - Highlighting and Note-Taking Autocad For Electronics A Tutorial
 - Interactive Elements Autocad For Electronics A Tutorial
8. Staying Engaged with Autocad For Electronics A Tutorial

- Joining Online Reading Communities
 - Participating in Virtual Book Clubs
 - Following Authors and Publishers Autocad For Electronics A Tutorial
9. Balancing eBooks and Physical Books Autocad For Electronics A Tutorial
 - Benefits of a Digital Library
 - Creating a Diverse Reading Collection Autocad For Electronics A Tutorial
 10. Overcoming Reading Challenges
 - Dealing with Digital Eye Strain
 - Minimizing Distractions
 - Managing Screen Time
 11. Cultivating a Reading Routine Autocad For Electronics A Tutorial
 - Setting Reading Goals Autocad For Electronics A Tutorial
 - Carving Out Dedicated Reading Time
 12. Sourcing Reliable Information of Autocad For Electronics A Tutorial
 - Fact-Checking eBook Content of Autocad For Electronics A Tutorial
 - Distinguishing Credible Sources
 13. Promoting Lifelong Learning
 - Utilizing eBooks for Skill Development
 - Exploring Educational eBooks
 14. Embracing eBook Trends
 - Integration of Multimedia Elements
 - Interactive and Gamified eBooks

Autocad For Electronics A Tutorial Introduction

In today's digital age, the availability of Autocad For Electronics A Tutorial books and manuals for download has revolutionized the way we access information. Gone are the days of physically flipping through pages and carrying heavy textbooks or manuals. With just a few clicks, we can now access a wealth of knowledge from the comfort of our own homes or on the go. This article will explore the advantages of Autocad For Electronics A Tutorial books and manuals for download, along with some popular platforms that offer these resources. One of the significant advantages of Autocad For Electronics A Tutorial books and manuals for download is the cost-saving aspect. Traditional books and manuals can be costly, especially if

you need to purchase several of them for educational or professional purposes. By accessing Autocad For Electronics A Tutorial versions, you eliminate the need to spend money on physical copies. This not only saves you money but also reduces the environmental impact associated with book production and transportation. Furthermore, Autocad For Electronics A Tutorial books and manuals for download are incredibly convenient. With just a computer or smartphone and an internet connection, you can access a vast library of resources on any subject imaginable. Whether you're a student looking for textbooks, a professional seeking industry-specific manuals, or someone interested in self-improvement, these digital resources provide an efficient and accessible means of acquiring knowledge. Moreover, PDF books and manuals offer a range of benefits compared to other digital formats. PDF files are designed to retain their formatting regardless of the device used to open them. This ensures that the content appears exactly as intended by the author, with no loss of formatting or missing graphics. Additionally, PDF files can be easily annotated, bookmarked, and searched for specific terms, making them highly practical for studying or referencing. When it comes to accessing Autocad For Electronics A Tutorial books and manuals, several platforms offer an extensive collection of resources. One such platform is Project Gutenberg, a nonprofit organization that provides over 60,000 free eBooks. These books are primarily in the public domain, meaning they can be freely distributed and downloaded. Project Gutenberg offers a wide range of classic literature, making it an excellent resource for literature enthusiasts. Another popular platform for Autocad For Electronics A Tutorial books and manuals is Open Library. Open Library is an initiative of the Internet Archive, a non-profit organization dedicated to digitizing cultural artifacts and making them accessible to the public. Open Library hosts millions of books, including both public domain works and contemporary titles. It also allows users to borrow digital copies of certain books for a limited period, similar to a library lending system. Additionally, many universities and educational institutions have their own digital libraries that provide free access to PDF books and manuals. These libraries often offer academic texts, research papers, and technical manuals, making them invaluable resources for students and researchers. Some notable examples include MIT OpenCourseWare, which offers free access to course materials from the Massachusetts Institute of Technology, and the Digital Public Library of America, which provides a vast collection of digitized books and historical documents. In conclusion, Autocad For Electronics A Tutorial books and manuals for download have transformed the way we access information. They provide a cost-effective and convenient means of acquiring knowledge, offering the ability to access a vast library of resources at our fingertips. With platforms like Project Gutenberg, Open Library, and various digital libraries offered by educational institutions, we have access to an ever-expanding collection of books and manuals. Whether for educational, professional, or personal purposes, these digital resources serve as valuable tools for continuous learning and self-improvement. So why not take advantage of the vast world of Autocad For Electronics A Tutorial books and manuals for download and embark on your journey of knowledge?

FAQs About Autocad For Electronics A Tutorial Books

1. Where can I buy Autocad For Electronics A Tutorial books? Bookstores: Physical bookstores like Barnes & Noble, Waterstones, and independent local stores. Online Retailers: Amazon, Book Depository, and various online bookstores offer a wide range of books in physical and digital formats.
2. What are the different book formats available? Hardcover: Sturdy and durable, usually more expensive. Paperback: Cheaper, lighter, and more portable than hardcovers. E-books: Digital books available for e-readers like Kindle or software like Apple Books, Kindle, and Google Play Books.
3. How do I choose a Autocad For Electronics A Tutorial book to read? Genres: Consider the genre you enjoy (fiction, non-fiction, mystery, sci-fi, etc.). Recommendations: Ask friends, join book clubs, or explore online reviews and recommendations. Author: If you like a particular author, you might enjoy more of their work.
4. How do I take care of Autocad For Electronics A Tutorial books? Storage: Keep them away from direct sunlight and in a dry environment. Handling: Avoid folding pages, use bookmarks, and handle them with clean hands. Cleaning: Gently dust the covers and pages occasionally.
5. Can I borrow books without buying them? Public Libraries: Local libraries offer a wide range of books for borrowing. Book Swaps: Community book exchanges or online platforms where people exchange books.
6. How can I track my reading progress or manage my book collection? Book Tracking Apps: Goodreads, LibraryThing, and Book Catalogue are popular apps for tracking your reading progress and managing book collections. Spreadsheets: You can create your own spreadsheet to track books read, ratings, and other details.
7. What are Autocad For Electronics A Tutorial audiobooks, and where can I find them? Audiobooks: Audio recordings of books, perfect for listening while commuting or multitasking. Platforms: Audible, LibriVox, and Google Play Books offer a wide selection of audiobooks.
8. How do I support authors or the book industry? Buy Books: Purchase books from authors or independent bookstores. Reviews: Leave reviews on platforms like Goodreads or Amazon. Promotion: Share your favorite books on social media or recommend them to friends.
9. Are there book clubs or reading communities I can join? Local Clubs: Check for local book clubs in libraries or community centers. Online Communities: Platforms like Goodreads have virtual book clubs and discussion groups.
10. Can I read Autocad For Electronics A Tutorial books for free? Public Domain Books: Many classic books are available for free as they're in the public domain. Free E-books: Some websites offer free e-books legally, like Project Gutenberg or Open Library.

Find Autocad For Electronics A Tutorial :

easter program builder-11 easter program builder

early reader bible

ears rigby literacy

earwitness fifty characters

easy bulletin boards for libraries

easy garden

early sufi women dhikr anniswa almuta abbitdat abufiyat

earthly things with a heavenly thought

easy does it entertaininghc2004

earthcybertech sourcebook

earthly paradise and the renaissance epic

early socialisation sociability and attachment

earth in the balance healing the global environment

earth is room enough

east west basics teachers

Autocad For Electronics A Tutorial :

math in focus singapore math student edition bundle grade 1 2009 - Dec 07 2022

web nov 27 2013 math in focus singapore math student edition bundle grade 1 2009 great source on amazon com free shipping on qualifying offers math in focus singapore math student edition bundle grade 1 2009

math in focus singapore math 2009 edition open library - Dec 27 2021

web may 26 2022 math in focus singapore math by great source 2009 great source education group incorporated houghton mifflin harcourt edition in english

math in focus singapore math student edition book a grade 5 2009 - Sep 04 2022

web math in focus singapore math student edition book a grade 5 2009 great source amazon sg books

math in focus singapore math student workbook bundle a b - Jan 08 2023

web jun 25 2009 math in focus singapore math student workbook bundle a b grade 2 paperback 25 june 2009 by great source author 4 1 4 1 out of 5 stars 13 ratings

math in focus singapore math student edition book a grade 3 - Mar 30 2022

web mar 29 2012 math in focus singapore math student edition book a grade 3 2013 great source on amazon com free shipping on qualifying offers math in focus singapore math student edition book a grade 3 2013

math in focus singapore math student edition book a grade 5 2009 - Apr 30 2022

web math in focus singapore math student edition book a grade 5 2009 great source amazon com au books

math in focus the singapore approach 2009 2015 ed - Jun 13 2023

web math in focus the singapore approach 2009 2015 ed note this is not the 2020 edition math in focus is a program incorporating the widely used singapore approach to math two key ways that the singapore approach differs
math in focus singapore math ser math in focus singapore math - Nov 06 2022

web find many great new used options and get the best deals for math in focus singapore math ser math in focus singapore math student edition book a grade 4 2009 by great source 2009 hardcover at the best online prices at ebay

student pack grade 1 2009 math in focus singapore math 1st edition - Feb 09 2023

web aug 25 2010 amazon com student pack grade 1 2009 math in focus singapore math 9780547549309 houghton mifflin harcourt books

student edition bundle a b parts 1 2 grade k 2009 math in focus - Apr 11 2023

web student edition bundle a b parts 1 2 grade k 2009 math in focus singapore math by great source isbn 10 0669025984 isbn 13 9780669025989 great source 2009 softcover

math in focus singapore math student edition book a grade 2 2009 - Jul 14 2023

web math in focus singapore math student edition book a grade 2 2009 amazon com tr kitap
math in focus singapore math student edition book a grade 5 2009 - Jul 02 2022

web math in focus singapore math student edition book a grade 5 2009 great source amazon in books

math in focus singapore math ser math in focus singapore math - Mar 10 2023

web find many great new used options and get the best deals for math in focus singapore math ser math in focus singapore math student edition 2009 by great source 2009 hardcover student edition at the best online prices at ebay free shipping for many products

math in focus k 8 singapore math curriculum houghton - Oct 05 2022

web the u s edition of the effective singapore math curriculum leveraging global best practices and a consistent k 8 pedagogical approach math in focus singapore math empowers students to develop the critical thinking skills positive attitude and confidence needed for achievement

singapore math kindergarten an overview of math in focus - Aug 03 2022

web jul 24 2022 math in focus k 8 was first published in 2009 by marshall cavendish in collaboration with houghton mifflin harcourt the latest revision math in focus 2020 coming out in 2020 is said to be the program s most extensive revision since its 2009 release the math in focus curriculum covers grades k to 8

math in focus singapore math student edition book a part 2 - Jun 01 2022

web math in focus singapore math student edition book a part 2 grade k 2009 great source amazon in books

math in focus singapore math teacher and student activity cards - Feb 26 2022

web jun 3 2009 math in focus singapore math teacher and student activity cards grade k 1st edition math in focus singapore math teacher and student activity cards grade k 1st edition package of 8 1 2 x 11 3 4 inches mathematics activity cards on card stock paper

student edition book b grade 3 2009 math in focus singapore math - May 12 2023

web may 26 2009 student edition book b grade 3 2009 math in focus singapore math 1st edition this is a math in focus student textbook 3b it is a hardcover book with graphic color pictures math in focus is in the saxon math program with a singapore method approach

math in focus singapore math teacher s edition book b grade 4 2009 - Jan 28 2022

web may 20 2009 amazon in buy math in focus singapore math teacher s edition book b grade 4 2009 book online at best prices in india on amazon in read math in focus student workbook book a grade 4 ambulatory care systems j r coleman 4 4 out of

math in focus singapore math 2009 edition open library - Aug 15 2023

web math in focus singapore math by great source 2009 great source education group incorporated edition in english

how to use web notes on microsoft edge for - Oct 24 2021

web microsoft edge add ons to install add ons you ll need the new microsoft edge

web technology pdf download wt books lecture notes - Nov 24 2021

web may 14 2020 use these study related resources for web technology and have a deep

web technologies notes download web technologies notes pdf - Jan 27 2022

web may 20 2023 web technologies notes download web technologies notes pdf

web development w3schools - Jun 12 2023

below is the list of web technologies bookrecommended by the top university in india 1 jeffrey c jackson web technologies a see more

digital notes on r18a0517 web technologies b tech - May 11 2023

if you have already studied the web technologies notes now it s time to move ahead and go through previous year web

technologies question paper it will help you to understand question paper pattern and type of web see more

downloaded from genuinenotes - May 31 2022

web apr 10 2023 the web is a way to access information through the internet it is also

highly specialised technologies evaluation committee nice - Jun 19 2021

web 2 days ago in the wake of apple unveiling its latest iphone lineup a new accessory

web technology pdf notes gate knowledge - Feb 25 2022

web web technology topics information architecture introduction to xhtml and html5

web technology notes b tech 3rd year books pdf exam - Dec 26 2021

web mar 18 2022 web technology pdf notes web technology notes students

html tutorial geeksforgeeks - Sep 03 2022

web a technical definition of the world wide web is all the resources and users on the

the internet and the web geeksforgeeks - Jul 01 2022

web sign in web technologies notes pdf google drive sign in

webnote microsoft edge addons - Sep 22 2021

web sep 11 2023 file the las vegas monorail passes by mgm grand april 27 2006 in

web technologies notes pdf google drive - Aug 02 2022

web jun 30 2023 courses in this html tutorial whether you re a beginner or a

web technology geeksforgeeks - Jul 13 2023

some of the web technologies interview questions are mentioned below you can download the qna in web technologies

pdfform 1 what is see more

lecture notes information technology essentials sloan school - Nov 05 2022

web introduction to web technology web technologies refers to the way computers devices

introduction to information technology web technologies - Mar 09 2023

web r18a0517 web technologies unit i web basics and overview introduction to

what is web technology definition trends - Apr 29 2022

web web technologies related to the interface between web servers and their clients this

web development technologies tutorialspoint - Dec 06 2022

web how big is the web google announced december 2001 that the its total collection of

web technologies notes pdf syllabus 2021 - Aug 14 2023

detailed web technologies syllabus as prescribed by various universities and colleges in india are as under you can download

the syllabus in web technologies pdf form unit i web essentials clients servers and communication the internet basic internet protocols the world wide web http request see more

web technology notes old questions more csit tutor - Apr 10 2023

web jun 7 2017 web technology refers to the various tools and techniques that are utilized

introduction to web technology2 united nations economic - Jan 07 2023

web feb 1 2023 introduction in order to make websites look and function a certain way

live updates apple event 2023 new iphone 15 and charging port - May 19 2021

web basic concepts online tutorials library - Oct 04 2022

web lecture notes information technology essentials sloan school of management mit

unreal engine 5 3 is now available - Jul 21 2021

web sep 14 2023 highly specialised technologies evaluation committee the meeting

web technologies unit 1 lecture notes study glance - Mar 29 2022

web web technologies unit 1 lecture notes web technologies topics covered

mgm resorts cybersecurity issue prompts computer shutdowns - Aug 22 2021

web sep 6 2023 view all news events interviews spotlights tech blogs learn back free

introduction to web technology uottawa - Feb 08 2023

web b sc csit graduate it was very difficult to find proper notes and updated website of

free ravan samhita pdf in hindi pdf scribd - Mar 07 2022

web free ravan samhita pdf in hindi download free ravan samhita pdf in hindi fravana iast rvaa r v n sanskrit 1 is the primary

antagonist in the hindu epic ramayana where he is depicted as the ravan samhita pdf in hindi free download ravan samhita

free download in hindi ravan sanhita pdf in hindi ravan sanhita pdf in hindi

2017 ravan samhita kisanlal sharma free download - May 21 2023

web 2017 ravan samhita by kisanlal sharma publication date 2017 topics ☐ ☐☐ ravan indian philosophy hindu philosophy

hindu religious texts hindu literature veda upanishad collection wisdom of guru additional collections

ravan samhita ☐ ☐☐ ☐ ☐☐ shiv puja youtube - Jun 10 2022

web jun 5 2020 2 5k share 187k views 3 years ago shivmantra raavan ravan raavan sanhita raavan samhita shiv puja tantra

sadhana with mantra prayog vidhi book shelf purchase link

☐ ☐☐ ☐ ☐☐ *ravana samhita exotic india art* - Jan 05 2022

web ☐☐☐ ☐ ☐☐ ☐☐ ☐☐☐ ☐☐☐ ancient ravana samhita by ☐ ☐☐☐ ☐☐☐ pt shivkant jha 51 free delivery

ravan samhita asli pracheen by pt kishan lal sharma manoj - Jan 17 2023

web may 27 2022 ravan samhita asli pracheen by pt kishan lal sharma manoj publications delhi manoj publications delhi free download borrow and streaming internet archive ravan samhita asli pracheen by pt kishan lal sharma manoj publications delhi by

ravan samhita the biggest edition ever - Jul 11 2022

web widely known as the antagonist from the hindu epic of ramayana there is a ravana beyond the common knowledge the asura king was among the most learned of his times his ten heads represent the knowledge of four vedas and six shastras he held a major devotee to lord shiva the ravana samhita was composed by him who engulfs the

asli prachin ravan samhita - Aug 12 2022

web to download asli prachin ravan samhita hindi book in just single click for free simply click on the download button provided below download pdf 11 mb

ravan samhita hindi pdf pdf online sanskrit - Feb 18 2023

web ravan samhita hindi pdf pdf categories astrology hindi ravan samhita hindi pdf pdf pdf pdf pdf category samhita size 10 8mb pages 734 download pdf source

ravan samhita pdf download in hindi ravan samhita hindi - Sep 13 2022

web ravan samhita in hindi ravan samhita benefits in hindi download ravan samhita

ravan samhita pdf in hindi - Aug 24 2023

web feb 14 2023 ravan samhita pdf in hindi february 14 2023 hindi books pdf religious general by kumar pdf quick download link is given at the bottom of this article

ravan samhita acharya pt shivkant jha free - Jul 23 2023

web may 27 2020 by acharya pt shivkant jha topics ravan samhita dharma books hinduism books hinduism literature literature dharma texts additional collections sanatan dharma texts ravan samhita hindi edition sanskrit saahitya hindu bharat lanka ravan jyotish ayurveda mantra

1 all hindi books - Apr 20 2023

web jan 10 2021 download ravan samhita part 1 download ravan samhita part 2 download ravan samhita part 3 download ravan samhita part 4 download ravan samhita part 5

pdf sampurna ravan samhita pdf free download - Mar 19 2023

web pdf sampurna ravan samhita pdf free download title page 829 file size 173 mb category religion language hindi download part 1 part 2 part 3 part 4 part 5 for support contact motivationalstoriesinhindi in

amazon in ravan samhita - Feb 06 2022

web jan 1 2010 tantratmak ravan samhita in 4 vols full details sanskrit to hindi explanations library collection original text

hindi edition by tantrasadhak prem kumar sharma 1 january 2021 5 0 out of 5 stars 1

ravan samhita 4 free download borrow and streaming - Dec 16 2022

web feb 14 2021 ravan samhita addeddate 2021 02 14 19 50 15 identifier ravan samhita 4 identifier ark ark 13960

t0ps7z40z ocr tesseract 4 1 1

ravan samhita mantra - Nov 15 2022

web oct 4 2022 ravan sahita pdf ravan samhita in hindi free download ravan samhita free download in hindi

ravan samhita in hindi free download ravan samhita free download in hindi

ravan samhita pdf in hindi free download ravan samhita free download in hindi

ravan samhita book in hindi free download pdf pdf scribd - May 09 2022

web download free ravan samhita pdf in hindi fravana iast rāvaṇa ' r α: v ə n ə sanskrit 1 is the primary antagonist in the

hindu epic ramayana where he is depicted as the ravan samhita pdf in hindi free download ravan samhita free download in

hindi ravan samhita pdf in hindi ravan samhita pdf in hindi

ravan samhita book in hindi free download pdf pdf scribd - Apr 08 2022

web to download ravan samhita book click on the download button bhrigu samhita phalit prakash bhrigu samhita hindi book

free download free hindi books ravan samhita download ravan samhita download in hindi ravan

ravan samhita book part 1 pdf hindi instapdf - Oct 14 2022

web jun 27 2020 download pdf of ravan samhita book part 1 in hindi from the link available below in the article hindi ravan

samhita book part 1 pdf free or read online using the direct link given at the bottom of content

ravan samhita in hindi mahakavya read ved puran online - Jun 22 2023

web ravan samhita in hindi free download ravan samhita free download in hindi