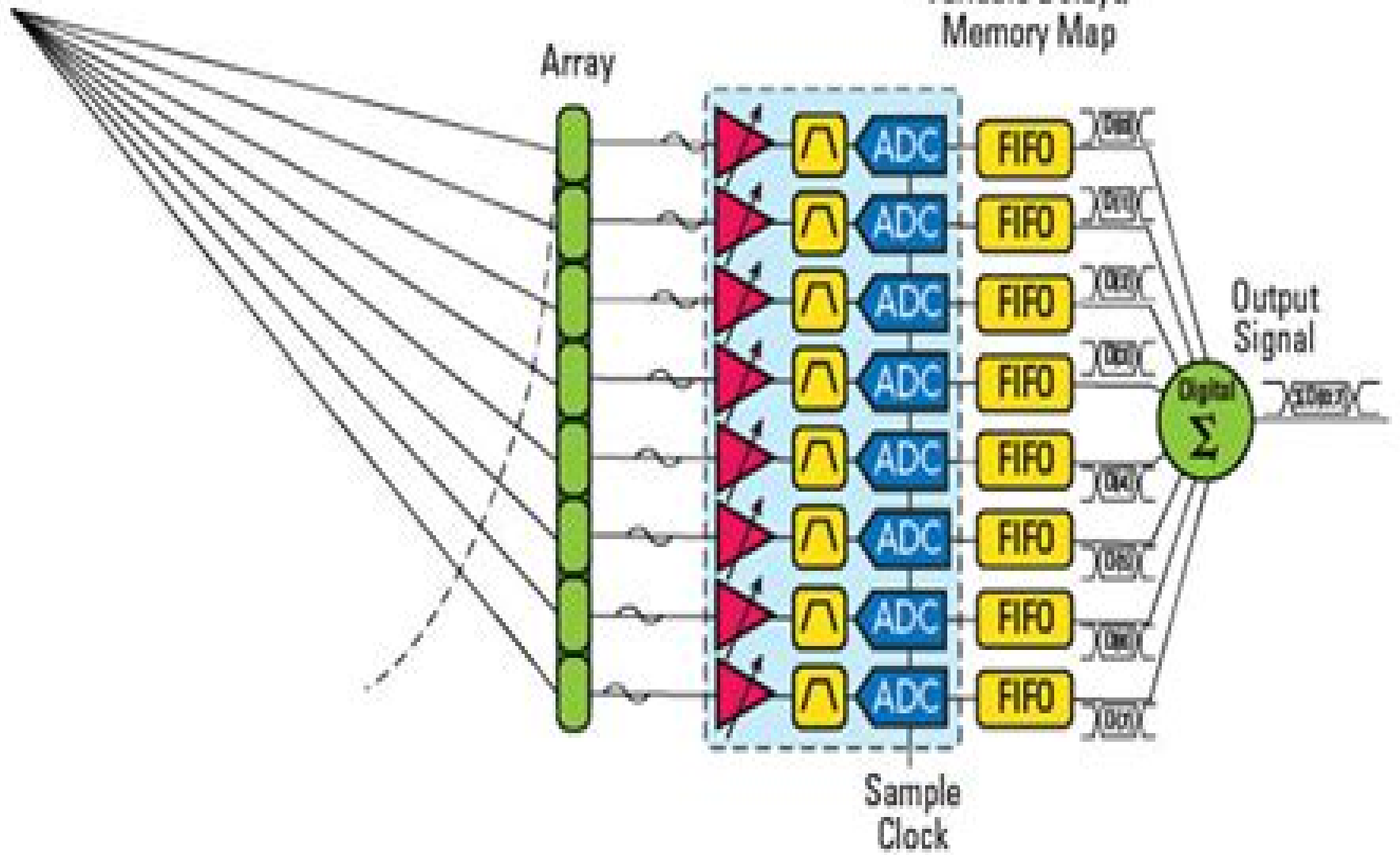


Focal Point



# Array Processing Applications To Radar

**Shasha Hu**



## **Array Processing Applications To Radar:**

Recognizing the exaggeration ways to acquire this ebook **Array Processing Applications To Radar** is additionally useful. You have remained in right site to start getting this info. get the Array Processing Applications To Radar partner that we manage to pay for here and check out the link.

You could purchase guide Array Processing Applications To Radar or get it as soon as feasible. You could speedily download this Array Processing Applications To Radar after getting deal. So, in imitation of you require the ebook swiftly, you can straight acquire it. Its fittingly no question simple and for that reason fats, isnt it? You have to favor to in this expose

[https://www.cruiselady.com/files/virtual-library/Download\\_PDFS/African%20Forms.pdf](https://www.cruiselady.com/files/virtual-library/Download_PDFS/African%20Forms.pdf)

## **Table of Contents Array Processing Applications To Radar**

1. Understanding the eBook Array Processing Applications To Radar
  - The Rise of Digital Reading Array Processing Applications To Radar
  - Advantages of eBooks Over Traditional Books
2. Identifying Array Processing Applications To Radar
  - Exploring Different Genres
  - Considering Fiction vs. Non-Fiction
  - Determining Your Reading Goals
3. Choosing the Right eBook Platform
  - Popular eBook Platforms
  - Features to Look for in an Array Processing Applications To Radar
  - User-Friendly Interface
4. Exploring eBook Recommendations from Array Processing Applications To Radar
  - Personalized Recommendations
  - Array Processing Applications To Radar User Reviews and Ratings
  - Array Processing Applications To Radar and Bestseller Lists
5. Accessing Array Processing Applications To Radar Free and Paid eBooks

- Array Processing Applications To Radar Public Domain eBooks
  - Array Processing Applications To Radar eBook Subscription Services
  - Array Processing Applications To Radar Budget-Friendly Options
6. Navigating Array Processing Applications To Radar eBook Formats
    - ePub, PDF, MOBI, and More
    - Array Processing Applications To Radar Compatibility with Devices
    - Array Processing Applications To Radar Enhanced eBook Features
  7. Enhancing Your Reading Experience
    - Adjustable Fonts and Text Sizes of Array Processing Applications To Radar
    - Highlighting and Note-Taking Array Processing Applications To Radar
    - Interactive Elements Array Processing Applications To Radar
  8. Staying Engaged with Array Processing Applications To Radar
    - Joining Online Reading Communities
    - Participating in Virtual Book Clubs
    - Following Authors and Publishers Array Processing Applications To Radar
  9. Balancing eBooks and Physical Books Array Processing Applications To Radar
    - Benefits of a Digital Library
    - Creating a Diverse Reading Collection Array Processing Applications To Radar
  10. Overcoming Reading Challenges
    - Dealing with Digital Eye Strain
    - Minimizing Distractions
    - Managing Screen Time
  11. Cultivating a Reading Routine Array Processing Applications To Radar
    - Setting Reading Goals Array Processing Applications To Radar
    - Carving Out Dedicated Reading Time
  12. Sourcing Reliable Information of Array Processing Applications To Radar
    - Fact-Checking eBook Content of Array Processing Applications To Radar
    - Distinguishing Credible Sources
  13. Promoting Lifelong Learning
    - Utilizing eBooks for Skill Development

- Exploring Educational eBooks
- 14. Embracing eBook Trends
  - Integration of Multimedia Elements
  - Interactive and Gamified eBooks

### **Array Processing Applications To Radar Introduction**

In the digital age, access to information has become easier than ever before. The ability to download Array Processing Applications To Radar has revolutionized the way we consume written content. Whether you are a student looking for course material, an avid reader searching for your next favorite book, or a professional seeking research papers, the option to download Array Processing Applications To Radar has opened up a world of possibilities. Downloading Array Processing Applications To Radar provides numerous advantages over physical copies of books and documents. Firstly, it is incredibly convenient. Gone are the days of carrying around heavy textbooks or bulky folders filled with papers. With the click of a button, you can gain immediate access to valuable resources on any device. This convenience allows for efficient studying, researching, and reading on the go. Moreover, the cost-effective nature of downloading Array Processing Applications To Radar has democratized knowledge. Traditional books and academic journals can be expensive, making it difficult for individuals with limited financial resources to access information. By offering free PDF downloads, publishers and authors are enabling a wider audience to benefit from their work. This inclusivity promotes equal opportunities for learning and personal growth. There are numerous websites and platforms where individuals can download Array Processing Applications To Radar. These websites range from academic databases offering research papers and journals to online libraries with an expansive collection of books from various genres. Many authors and publishers also upload their work to specific websites, granting readers access to their content without any charge. These platforms not only provide access to existing literature but also serve as an excellent platform for undiscovered authors to share their work with the world. However, it is essential to be cautious while downloading Array Processing Applications To Radar. Some websites may offer pirated or illegally obtained copies of copyrighted material. Engaging in such activities not only violates copyright laws but also undermines the efforts of authors, publishers, and researchers. To ensure ethical downloading, it is advisable to utilize reputable websites that prioritize the legal distribution of content. When downloading Array Processing Applications To Radar, users should also consider the potential security risks associated with online platforms. Malicious actors may exploit vulnerabilities in unprotected websites to distribute malware or steal personal information. To protect themselves, individuals should ensure their devices have reliable antivirus software installed and validate the legitimacy of the websites they are downloading from. In conclusion, the ability to download Array Processing Applications To Radar has transformed the way we access

information. With the convenience, cost-effectiveness, and accessibility it offers, free PDF downloads have become a popular choice for students, researchers, and book lovers worldwide. However, it is crucial to engage in ethical downloading practices and prioritize personal security when utilizing online platforms. By doing so, individuals can make the most of the vast array of free PDF resources available and embark on a journey of continuous learning and intellectual growth.

### **FAQs About Array Processing Applications To Radar Books**

How do I know which eBook platform is the best for me? Finding the best eBook platform depends on your reading preferences and device compatibility. Research different platforms, read user reviews, and explore their features before making a choice. Are free eBooks of good quality? Yes, many reputable platforms offer high-quality free eBooks, including classics and public domain works. However, make sure to verify the source to ensure the eBook credibility. Can I read eBooks without an eReader? Absolutely! Most eBook platforms offer webbased readers or mobile apps that allow you to read eBooks on your computer, tablet, or smartphone. How do I avoid digital eye strain while reading eBooks? To prevent digital eye strain, take regular breaks, adjust the font size and background color, and ensure proper lighting while reading eBooks. What the advantage of interactive eBooks? Interactive eBooks incorporate multimedia elements, quizzes, and activities, enhancing the reader engagement and providing a more immersive learning experience. Array Processing Applications To Radar is one of the best book in our library for free trial. We provide copy of Array Processing Applications To Radar in digital format, so the resources that you find are reliable. There are also many Ebooks of related with Array Processing Applications To Radar. Where to download Array Processing Applications To Radar online for free? Are you looking for Array Processing Applications To Radar PDF? This is definitely going to save you time and cash in something you should think about. If you trying to find then search around for online. Without a doubt there are numerous these available and many of them have the freedom. However without doubt you receive whatever you purchase. An alternate way to get ideas is always to check another Array Processing Applications To Radar. This method for see exactly what may be included and adopt these ideas to your book. This site will almost certainly help you save time and effort, money and stress. If you are looking for free books then you really should consider finding to assist you try this. Several of Array Processing Applications To Radar are for sale to free while some are payable. If you arent sure if the books you would like to download works with for usage along with your computer, it is possible to download free trials. The free guides make it easy for someone to free access online library for download books to your device. You can get free download on free trial for lots of books categories. Our library is the biggest of these that have literally hundreds of thousands of different products categories represented. You will also see that there are specific sites catered to different product types or categories, brands or niches related with Array Processing

Applications To Radar. So depending on what exactly you are searching, you will be able to choose e books to suit your own need. Need to access completely for Campbell Biology Seventh Edition book? Access Ebook without any digging. And by having access to our ebook online or by storing it on your computer, you have convenient answers with Array Processing Applications To Radar To get started finding Array Processing Applications To Radar, you are right to find our website which has a comprehensive collection of books online. Our library is the biggest of these that have literally hundreds of thousands of different products represented. You will also see that there are specific sites catered to different categories or niches related with Array Processing Applications To Radar So depending on what exactly you are searching, you will be able to choose ebook to suit your own need. Thank you for reading Array Processing Applications To Radar. Maybe you have knowledge that, people have search numerous times for their favorite readings like this Array Processing Applications To Radar, but end up in harmful downloads. Rather than reading a good book with a cup of coffee in the afternoon, instead they juggled with some harmful bugs inside their laptop. Array Processing Applications To Radar is available in our book collection an online access to it is set as public so you can download it instantly. Our digital library spans in multiple locations, allowing you to get the most less latency time to download any of our books like this one. Merely said, Array Processing Applications To Radar is universally compatible with any devices to read.

### **Find Array Processing Applications To Radar :**

[african forms](#)

*african americans in the u.s. west globe mosaic of american history*

[against postmodernism a marxist critique](#)

**african politics crises and challenges**

[after aztlan latino poets of the nineties](#)

~~african profiles mbuti somali zulu. african curriculum development project duke university durham nc~~

**after barbed wire cowboys 1st edition signed**

*after magritte*

[african forms the traditional design and function of objects](#)

[afternoon men](#)

[african sociology towards a critical perspective](#)

**against her will**

~~age of the caliphs a history of the muslim world~~

*age of fable or beauties of mythology 1898*

[after beethoven the imperative of originality in the symphony - hardcover](#)

### **Array Processing Applications To Radar :**

**sai leela shri saibaba sansthan trust shirdi** - Jun 18 2023

web saileela magazine price list video audio online services accommodation booking donation darshan saileela magazine subscription home sai leela sai leela july august 2023 preview download july august 2023 preview download may jun 2023 preview download mar apr 2023 preview download jan feb 2022 preview download

[unique sai magazine sai 366 18th march audio](#) - Apr 16 2023

web mar 18 2022 sai leela magazine is a red mark on the forehead of sai saraswati written by mullapudi panduranga sainath munnaloori bose translated into english by chaganty saibaba odisha venkateswara rao hyderabad telengana

**shirdi sai sai leela magazine historical archive 1923 onwards** - Feb 14 2023

web shirdi sai sai leela magazine historical archive 1923 onwards sri sai leela old sai leela archive experiences of sai devotees historical documentaion of shirdi sai baba s life spiritual interaction with his devotees and miracles shirdi sai baba home

*sai leela shri saibaba sansthan trust shirdi* - Mar 03 2022

web saileela magazine price list video audio online services accommodation booking donation darshan saileela magazine subscription sai leela 1923 pages 1 20 preview download pages 21 40 preview download pages 41 60 preview download pages 61 80 preview download pages 81 100 preview download pages 101 120

*saileelas online library of sai baba books facebook* - Oct 10 2022

web history of sai leela magazine in the year 1922 approximately on one sunday shri govindrao dabholkar popularly called hemadpant for his great of facebook email or phone

[saileela magazine shri saibaba sansthan trust shirdi](#) - Jan 01 2022

web shri saileela magazine is an official periodical of shri saibaba sansthan trust shirdi which is published bi monthly and covers nearly all the activities of shri saibaba sansthan trust it also provides rich spiritual and religious information

**sai leela magazine** - Dec 12 2022

web sai leela magazine 5 5 this unique book provides comprehensive profiles of the three great incarnations of sai baba shirdi sai baba 1858 1918 sathya sai baba 1926 2011 and the future sri prema sai baba whose advent in the present century has been prophesied they carry the triple message of

[sai baba s udi a remedy beyond science 1924 25 sai leela magazine](#) - Jul 07 2022

web apr 20 2023 in this video pawar kaka recounts two beautiful leelas that were featured in the sai leela magazine

between 1924 and 1925 these leelas exemplify the miracu  
*english miracles sai baba leelas* - Sep 09 2022

web aug 3 2022 wonderful sai leelas by r radhakrishnan shirdi sai baba s ways are mysterious inscrutable inconceivable  
incredible and beyond the reach of our mind and thought once a devotee comes under the fold baba strengthens his devotion  
by giving him such experiences read more just one day before sai baba arranged the money

*history of beginning of shri sai leela magazine* - Apr 04 2022

web apr 27 2008 history of beginning of shri sai leela magazine in the year 1912 approximately on one sunday shri  
govindrao dabholkar popularly called hemadpant for his great of work sai satcharitra came to me after completing some  
chapters of

**sai leela shri saibaba sansthan trust shirdi** - Feb 02 2022

web sai temple history daily programme festivals the temple saileela magazine subscription publications membership temple  
registration sai leela jan feb 2022 hindi english preview download quick links work tenure appeal rti act section 4 annual  
reports

*one more saileelas online library of sai baba books* - Aug 08 2022

web one more rare 40 years old sai leela magazine decemer 1975 uploaded the contents of the magazine are editorial sadhu  
the science of religion shri

*saileela magazine shri saibaba sansthan trust shirdi* - Aug 20 2023

web shri saileela magazine is an official periodical of shri saibaba sansthan trust shirdi which is published bi monthly and  
covers nearly all the activities of shri saibaba sansthan trust it also provides rich spiritual and religious information

**articles from sai leela magazine shirdi sai baba stories** - May 05 2022

web articles from sai leela magazine laxman mama kulkarni devotee of lord sai baba laxmanrao kulkarni ratnaparkhi was  
maternal uncle of madhavrao deshpande he was a resident of shirdi itself he was an orthodox brahmin he used to follow the  
laws of touchability and religious rites very rigorously as laxmanrao was the maternal uncle

**archives of sai leela magazine sri sai charitable trust** - Jan 13 2023

web see more of sri sai charitable trust on facebook log in or

*saileela magazine shri saibaba sansthan trust shirdi* - May 17 2023

web shri saileela magazine is an official periodical of shri saibaba sansthan trust shirdi which is published bi monthly and  
covers nearly all the activities of shri saibaba sansthan trust it also provides rich spiritual and religious information

**sai leea magazine in english hindi worldwide omnisaiorg** - Jul 19 2023

web below are the current year issues of sai leela maganize published to date shri saileela magazine is an official periodical

of shri saibaba sansthan trust shirdi and covers nearly all the activities of shri saibaba sansthan trust it also provides rich spiritual and religious information

*dixit diary aura of shirdi sai* - Nov 11 2022

web jun 14 2017 kakasaheb dixit started the saileela masak or sai leela magazine in 1923 shri dixit maintained a diary in marathi and recorded therein the incidents that he heard about or saw when he was at shirdi this diary is the first great source of information that we have for baba s life at shirdi

**om sai ram history of shri sai leela magazine in the** - Jun 06 2022

web february 5 2020 history of shri sai leela magazine in the year 1912 approximately on one sunday shri govindrao dabholkar popularly called hemadpant for his great of work sai satcharitra came to shri ramachandra atmaram tarkad after completing some chapters of sai satcharitra

sai leela shri saibaba sansthan trust shirdi - Mar 15 2023

web saileela magazine price list give video audio sai arpan sai temple history daily programme festivals sai leela 1923 pages 1 20 preview download pages 21 40 preview download pages 41 60 preview download pages 61 80 preview download pages 81 100 preview download pages 101 120

*nissan a31 cefiro manual* - Sep 13 2022

nissan cefiro a31 service manual pdf pous6 nissan cefiro a31 service manual are a great way to achieve information regarding operating certain products many goods that

*nissan a32 cefiro maxima service repair worksh* - Dec 16 2022

jan 28 2013 nissan maxima 1996 2009 factory service repair workshop manual fsm amp owner manual instant download 1995 nissan maxima repair manual

*nissan maxima cefiro a32 workshop manual car manuals* - Feb 18 2023

nissan maxima and cefiro a32 1995 1999 workshop manual pdf download this nissan workshop has easy step by step instructions for the home workshop mechanic or

**nissan cefiro a 31 manual workshop** - Jun 10 2022

mar 23 2022 03 22 final thoughts nissan cefiro a 31 manual workshop once in the air i was then confident in what i was doing because i d been there already the night before in

*nissan cefiro workshop manual by eboni80mikoe issuu* - Nov 03 2021

oct 19 2017 pdf file nissan cefiro workshop manual page 1 save this book to read nissan cefiro workshop manual pdf ebook at our online library get nissan cefiro

nissan maxima cefiro j30 workshop manual - Nov 15 2022

nissan maxima and cefiro j30 1989 1994 workshop manual pdf download this nissan workshop manual comes with easy step by step instructions for the home workshop

**Инструкция по эксплуатации и руководство по ремонту** - Apr 08 2022

Руководство по эксплуатации ТО ремонт nissan cefiro 1998 2003 г Руководство по эксплуатации техническому обслуживанию и ремонту автомобиля nissan cefiro 1998

**nissan cefiro manual workshop yunqian info** - Jan 05 2022

hyundai ix35 workshop manual 2010 2010 read more cessna model 425 conquest i corsair illustrated parts catalog nissan cefiro manual workshop the mauser bolt

**nissan workshop manuals free factory service manuals** - Mar 19 2023

find all our nissan workshop manuals and factory service manuals listed above all our nissan manuals are free to download we do however have a download limit of 3 pdf manuals per

*nissan cefiro a 32 workshop manual* - Jul 11 2022

nissan cefiro a 32 workshop manual barnstead nanopure diamond d11931 manual manual minolta dialta 350 faber castell fc 101 stapler manual hydra 2000 manual quadrajet

*nissan cefiro maxima teana factory service manuals repair* - Jul 23 2023

download free nissan cefiro maxima teana pdf factory service manuals to download a free repair manual locate the model year you require above then visit the page to view all

nissan a32 cefiro maxima service repair workshop - Oct 14 2022

jan 10 2014 nissan a32 cefiro maxima service repair workshop manual pdf by kong hong issuu instant download nissan a32 cefiro maxima service repair

**nissan cefiro workshop repair manual 1994 1997 download pdf** - May 21 2023

nissan cefiro workshop manual and service manual pdf official cefiro a32 manual used by all nissan dealer garages worldwide years covered 1994 1997 language english

**Руководство по ремонту и эксплуатации nissan cefiro** - May 09 2022

Руководство по ремонту и эксплуатации nissan cefiro Автомобили nissan cefiro можно по праву назвать старичками выпуск этих машин был начат в далеком 1988 году и

nissan cefiro maxima workshop manual free pdf download - Sep 25 2023

file size 36 6 mb file type zip containing pdf files manual type factory service manual workshop manual detailing all specifications repair and maintenance information for the a32

*nissan cefiro a31 owners manual automotorpad com* - Mar 07 2022

nissan ceftro a31 user manual o nicehuole com medicare nissan ceftro owners manual user manual pdf electrician international nissan ceftro manual laserjet p4014 manual nissan

**a32 ceftro owner s manual or workshop repair manual nissan** - Jun 22 2023

jun 23 2007 a32 ceftro owner s manual or workshop repair manual i would like a favour from any of you out there on the manuals would appreciate very much if anyone could let me

*nissan ceftro maxima a32 1994 1998 free pdf factory* - Aug 24 2023

nissan a32 ceftro maxima workshop manual workshop manual detailing all specifications repair and maintenance information for the a32 series ceftro maxima download free pdf

**nissan ceftro a 32 workshop manual** - Dec 04 2021

jan 27 2014 nissan ceftro a 32 workshop manual this is a large collection of manuals for home console games dedicated machines for entertainment created since the 1970s renauld

nissan ceftro manuals car workshop manuals - Apr 20 2023

nissan ceftro workshop manuals gives you precise diagnostic guides for your vehicle so if something is wrong it will help you identify what the problem is and the best way to make it better

Руководства по ремонту ниссан цефиро - Feb 06 2022

apr 27 2021 nissan ceftro maxima qx c 1994 Руководство по ремонту и эксплуатации Руководства по эксплуатации обслуживанию и ремонту nissan maxima service manual

**nissan ceftro workshop manual by mailed8 issuu** - Aug 12 2022

dec 30 2017 nissan ceftro workshop manual download free access for nissan ceftro workshop manual download from our huge library or simply read online from your computer

**nissan ceftro automotive repair manuals total car diagnostics** - Jan 17 2023

nissan ceftro automotive repair manuals purpose of this is to catalog and include a comprehensive relevant and accessible database for your nissan ceftro to get started

the secret world of plants penguin books australia - Apr 01 2022

web oct 5 2022 the secret world of plants covers key plant parts the essentials of plant science including photosynthesis pollination and germination and what they mean to the people around them each species is shown with remarkable photography and beautiful illustrations all brought to life by ben hoare s writing filled with charm and

*the secret world of plants by ben hoare 9780744059830* - May 02 2022

web children can discover the secrets of more than 100 amazing plants in this treasury of fascinating flora as well as the essentials of plant science including photosynthesis pollination and germination

*secrets of the plant whisperer how to care for co download* - Mar 12 2023

web secrets of the plant whisperer how to care for co secrets of the baby whisperer sep 01 2022 the serial killer whisperer aug 08 2020 into their child s temperament los angeles family when tracy hogg s secrets of the baby whisperer was first published it soared onto bestseller lists across the country

secrets of the plant whisperer how to care for connect and - May 14 2023

web secrets of the plant whisperer how to care for connect and communicate with your house plants volume 1 plant intelligence by howe s f isbn 10 0977433587 isbn 13 9780977433582 diamond star press 2018 softcover

**secrets of the plant whisperer how to care for co** - Jul 04 2022

web digital library saves in compound countries allowing you to get the most less latency period to download any of our books gone this one merely said the secrets of the plant whisperer how to care for co is universally compatible next any devices to read the butterfly whisperer lisa moreau 2017 01 17 some soul mates can never be forgotten

**secrets of the plant whisperer how to care for connect and** - Oct 19 2023

web secrets of the plant whisperer how to care for connect and communicate with your house plants 1 howe s f amazon sg books

*read free secrets of the plant whisperer how to care for co* - Jun 03 2022

web their favorite books bearing in mind this secrets of the plant whisperer how to care for co but stop in the works in harmful downloads rather than enjoying a fine book in the same way as a mug of coffee in the afternoon on the other hand they juggled as soon as some harmful virus inside their computer secrets of the plant whisperer how to

*secrets of the plant whisperer how to care for co copy* - Nov 08 2022

web secrets of the plant whisperer how to care for co the chicken whisperer s guide to zero waste chicken keeping mar 11 2020 the chicken whisperer s guide to zero waste chicken keeping is the first book designed to help chicken keepers raise chickens using limited resources while maintaining a low environmental impact

**secrets of the plant whisperer how to care for co 2023** - Feb 28 2022

web secrets of the wine whisperer jerry greenfield 2014 01 secrets of the wine whisperer is an informative enjoyable and very funny chronicle of an innocent couple s descent into wine appreciation from how to select a wine glass to is a cork really needed to how the wine ratings work the book is filled with vitally useful and often

*secrets of the plant whisperer how to care for connect and* - Apr 13 2023

web secrets of the plant whisperer how to care for connect and communicate with your house plants plant intelligence by howe s f isbn 10 0977433587 isbn 13 9780977433582 diamond star press 2018 softcover

secrets of the plant whisperer how to care for co pdf - Oct 07 2022

web it is your categorically own become old to put on an act reviewing habit along with guides you could enjoy now is secrets of the plant whisperer how to care for co below plant witchery juliet diaz 2020 10 27 all it will take is for you to slow down and pay attention to the world around you and i promise you will find the world within you

*secrets of the plant whisperer how to care for co 2023* - Sep 06 2022

web the orchid whisperer secrets of the plant whisperer how to care for co downloaded from ai classmonitor com by guest brown aniya even thistles bloom houghton mifflin harcourt all it will take is for you to slow down and pay attention to the world around you and i promise you will find the world within you indigenous seer

**secrets of the plant whisperer how to care for connect and** - Aug 17 2023

web in secrets of the plant whisperer how to care for connect and communicate with your house plants the author aims to raise spiritual awareness of the true nature of plants by teaching you how to tune into your house plants to increase your own and your plants health and well being

secrets of the plant whisperer how to care for connect and - Sep 18 2023

web feb 8 2018 in secrets of the plant whisperer how to care for connect and communicate with your house plants the author aims to raise spiritual awareness of the true nature of plants by teaching you how to tune into your house plants to increase your own and your plants health and well being

secrets of the plant whisperer how to care for connect and - Feb 11 2023

web secrets of the plant whisperer how to care for connect and communicate with your house plants plant intelligence book 1 ebook howe s f amazon in kindle store

*secrets of the plant whisperer how to care for connect and* - Jun 15 2023

web buy secrets of the plant whisperer how to care for connect and communicate with your house plants volume 1 plant intelligence 2 by howe s f isbn 9780977433582 from amazon s book store everyday low prices and free delivery on eligible orders

*secrets of the plant whisperer how to care for connect and* - Jan 10 2023

web feb 8 2018 in secrets of the plant whisperer how to care for connect and communicate with your house plants the author aims to raise spiritual awareness of the true nature of plants by teaching you how to tune into your house plants to increase your own and your plants health and well being

**free secrets of the plant whisperer how to care for co** - Aug 05 2022

web secrets of the plant whisperer how to care for co the patient centered value system jan 12 2022 imagine you are a hospital chief executive officer chief financial officer medical or nursing director patient safety specialist quality improvement professional or a doctor or nurse on the front lines of patient care

secrets of the plant whisperer how to care for connec - Jul 16 2023

web in secrets of the plant how to care for connect and communicate with your house plants the author aims to raise spiritual awareness of the true nature of plants by teaching you how to tune into your house plants to increase your

**secrets of the plant whisperer how to care for co 2023** - Dec 09 2022

web pretentiousness to get those all we give secrets of the plant whisperer how to care for co and numerous books

collections from fictions to scientific research in any way in the course of them is this secrets of the plant whisperer how to care for co that can be your partner the plant rescuer sarah gerrard jones 2022 04 28 gardens