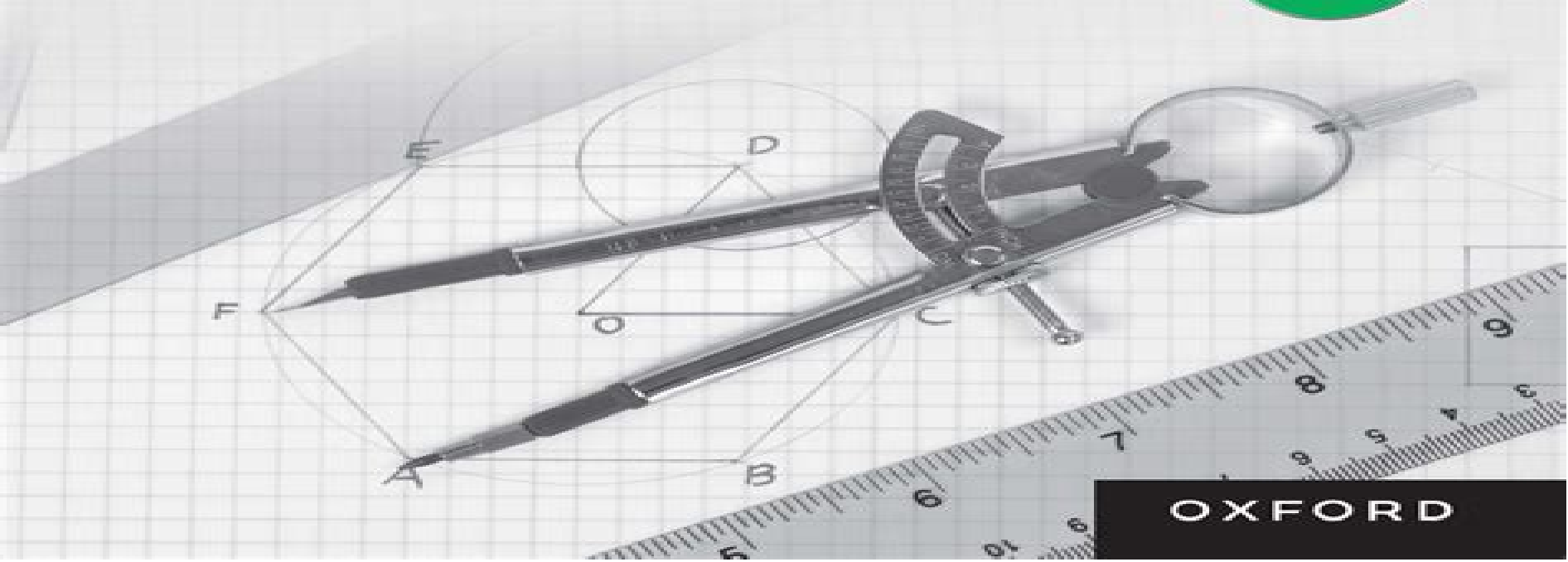


Approved by KICD

# Active Mathematics

Teacher's Guide

Grade  
8



OXFORD

# Active Mathematics

**Padhraic Smyth**



## **Active Mathematics:**

Discover tales of courage and bravery in Crafted by is empowering ebook, Unleash Courage in **Active Mathematics** . In a downloadable PDF format ( \*), this collection inspires and motivates. Download now to witness the indomitable spirit of those who dared to be brave.

<https://www.cruiselady.com/book/publication/default.aspx/communication%20and%20lonergan.pdf>

## **Table of Contents Active Mathematics**

1. Understanding the eBook Active Mathematics
  - The Rise of Digital Reading Active Mathematics
  - Advantages of eBooks Over Traditional Books
2. Identifying Active Mathematics
  - Exploring Different Genres
  - Considering Fiction vs. Non-Fiction
  - Determining Your Reading Goals
3. Choosing the Right eBook Platform
  - Popular eBook Platforms
  - Features to Look for in an Active Mathematics
  - User-Friendly Interface
4. Exploring eBook Recommendations from Active Mathematics
  - Personalized Recommendations
  - Active Mathematics User Reviews and Ratings
  - Active Mathematics and Bestseller Lists
5. Accessing Active Mathematics Free and Paid eBooks
  - Active Mathematics Public Domain eBooks
  - Active Mathematics eBook Subscription Services
  - Active Mathematics Budget-Friendly Options
6. Navigating Active Mathematics eBook Formats

- ePub, PDF, MOBI, and More
  - Active Mathematics Compatibility with Devices
  - Active Mathematics Enhanced eBook Features
7. Enhancing Your Reading Experience
    - Adjustable Fonts and Text Sizes of Active Mathematics
    - Highlighting and Note-Taking Active Mathematics
    - Interactive Elements Active Mathematics
  8. Staying Engaged with Active Mathematics
    - Joining Online Reading Communities
    - Participating in Virtual Book Clubs
    - Following Authors and Publishers Active Mathematics
  9. Balancing eBooks and Physical Books Active Mathematics
    - Benefits of a Digital Library
    - Creating a Diverse Reading Collection Active Mathematics
  10. Overcoming Reading Challenges
    - Dealing with Digital Eye Strain
    - Minimizing Distractions
    - Managing Screen Time
  11. Cultivating a Reading Routine Active Mathematics
    - Setting Reading Goals Active Mathematics
    - Carving Out Dedicated Reading Time
  12. Sourcing Reliable Information of Active Mathematics
    - Fact-Checking eBook Content of Active Mathematics
    - Distinguishing Credible Sources
  13. Promoting Lifelong Learning
    - Utilizing eBooks for Skill Development
    - Exploring Educational eBooks
  14. Embracing eBook Trends
    - Integration of Multimedia Elements
    - Interactive and Gamified eBooks

## Active Mathematics Introduction

In today's digital age, the availability of Active Mathematics books and manuals for download has revolutionized the way we access information. Gone are the days of physically flipping through pages and carrying heavy textbooks or manuals. With just a few clicks, we can now access a wealth of knowledge from the comfort of our own homes or on the go. This article will explore the advantages of Active Mathematics books and manuals for download, along with some popular platforms that offer these resources. One of the significant advantages of Active Mathematics books and manuals for download is the cost-saving aspect. Traditional books and manuals can be costly, especially if you need to purchase several of them for educational or professional purposes. By accessing Active Mathematics versions, you eliminate the need to spend money on physical copies. This not only saves you money but also reduces the environmental impact associated with book production and transportation. Furthermore, Active Mathematics books and manuals for download are incredibly convenient. With just a computer or smartphone and an internet connection, you can access a vast library of resources on any subject imaginable. Whether you're a student looking for textbooks, a professional seeking industry-specific manuals, or someone interested in self-improvement, these digital resources provide an efficient and accessible means of acquiring knowledge. Moreover, PDF books and manuals offer a range of benefits compared to other digital formats. PDF files are designed to retain their formatting regardless of the device used to open them. This ensures that the content appears exactly as intended by the author, with no loss of formatting or missing graphics. Additionally, PDF files can be easily annotated, bookmarked, and searched for specific terms, making them highly practical for studying or referencing. When it comes to accessing Active Mathematics books and manuals, several platforms offer an extensive collection of resources. One such platform is Project Gutenberg, a nonprofit organization that provides over 60,000 free eBooks. These books are primarily in the public domain, meaning they can be freely distributed and downloaded. Project Gutenberg offers a wide range of classic literature, making it an excellent resource for literature enthusiasts. Another popular platform for Active Mathematics books and manuals is Open Library. Open Library is an initiative of the Internet Archive, a non-profit organization dedicated to digitizing cultural artifacts and making them accessible to the public. Open Library hosts millions of books, including both public domain works and contemporary titles. It also allows users to borrow digital copies of certain books for a limited period, similar to a library lending system. Additionally, many universities and educational institutions have their own digital libraries that provide free access to PDF books and manuals. These libraries often offer academic texts, research papers, and technical manuals, making them invaluable resources for students and researchers. Some notable examples include MIT OpenCourseWare, which offers free access to course materials from the Massachusetts Institute of Technology, and the Digital Public Library of America, which provides a vast collection of digitized books and historical documents. In conclusion, Active Mathematics books and manuals for download have transformed the way we access information. They provide a cost-effective and

convenient means of acquiring knowledge, offering the ability to access a vast library of resources at our fingertips. With platforms like Project Gutenberg, Open Library, and various digital libraries offered by educational institutions, we have access to an ever-expanding collection of books and manuals. Whether for educational, professional, or personal purposes, these digital resources serve as valuable tools for continuous learning and self-improvement. So why not take advantage of the vast world of Active Mathematics books and manuals for download and embark on your journey of knowledge?

### **FAQs About Active Mathematics Books**

How do I know which eBook platform is the best for me? Finding the best eBook platform depends on your reading preferences and device compatibility. Research different platforms, read user reviews, and explore their features before making a choice. Are free eBooks of good quality? Yes, many reputable platforms offer high-quality free eBooks, including classics and public domain works. However, make sure to verify the source to ensure the eBook credibility. Can I read eBooks without an eReader? Absolutely! Most eBook platforms offer web-based readers or mobile apps that allow you to read eBooks on your computer, tablet, or smartphone. How do I avoid digital eye strain while reading eBooks? To prevent digital eye strain, take regular breaks, adjust the font size and background color, and ensure proper lighting while reading eBooks. What the advantage of interactive eBooks? Interactive eBooks incorporate multimedia elements, quizzes, and activities, enhancing the reader engagement and providing a more immersive learning experience. Active Mathematics is one of the best book in our library for free trial. We provide copy of Active Mathematics in digital format, so the resources that you find are reliable. There are also many Ebooks of related with Active Mathematics. Where to download Active Mathematics online for free? Are you looking for Active Mathematics PDF? This is definitely going to save you time and cash in something you should think about.

### **Find Active Mathematics :**

#### **communication and lonergan**

~~communication creating understanding~~

#### **comp confl intro + student cd pie**

#### **communication in history**

#### **communicating in the workplace college edit pb 2000**

~~compact and broadband microstrip antennas~~

**compact german dictionary**

~~communication the widening circle.~~

**como recuperar su autoestima guia para mujeres que desean sentirse mejor**

communication history in canada

*communication behavior and experiments a scientific approach*

comp gde evyday law

*communicating with customers around the world global busineb series*

~~communication skillbook 3 new worlds in english~~

*como dibujar reyes reinas y dragones*

**Active Mathematics :**

sample format for international shopping - Nov 09 2022

web title sample format for international shopping author adjanaliev last modified by olena holubenko created date 2 23 2015 9 45 00 am company osce

sample format for international shopping - Apr 14 2023

web corrupt practice is the offering giving receiving or soliciting directly or indirectly of anything of value to influence improperly the actions of another party sample format for international shopping author itsen last modified by yedaip created date 10 9 2018 4 13 00 pm

*24 printable grocery list templates shopping lists* - Apr 02 2022

web create your templates according to your needs make a list each time you need to go shopping if you want to save paper use the back part of the paper too print the template on both sides of the paper and use both templates shopping for groceries doesn t have to be a boring or tedious task

*sample format for international shopping* - Jul 17 2023

web the evaluation of the price quotations will be conducted through shopping procedures set out in the world bank s guidelines for procurement of goods works and non consulting services under ibrd loans and ida credits grants by world bank borrowers dated january 2011 revised july 2014 the procurement guidelines shopping

**sample format for international shopping wrbb neu edu** - Jun 04 2022

web 2 sample format for international shopping 2023 01 24 market leading advertising promotion and other aspects of integrated marketing communications 9th edition discusses all aspects of marketing communications from time honored methods to the newest developments in the field comprehensive

*sample format for international shopping* - Oct 08 2022

web samples of the items being quoted on samples will be returned by february 12 2019 the deadline for receipt of your quotation is 3 00 pm on february 05 2019 the tender opening date is scheduled for february 05 2019 3 15 p m quotations should be deposited in the tender box located in lobby at the address below jacene richards harris

**is your retail format ready for international expansion part i** - Feb 12 2023

web aug 3 2017 your retail format may work with an l shape multiple floors or a small store front in your home market but that doesn t mean it will in international markets a lot depends on brand awareness and brand desirability in your

**shopping list template 11 checklists for word excel pdf** - Mar 13 2023

web shopping list template 11 checklists when people make a list of some important stuff to buy they often forget some going to a market or shop and coming back without the essentials you wished to buy is the most annoying experience

**sample format for international shopping** - Mar 01 2022

web 2 sample format for international shopping 2020 10 05 semantic web services modeling and applications design user experience and usability design philosophy and theory oswaal books and learning private limited from tourist paradises to immigrant detention camps from offshore finance centres to strategic military bases islands

pdf store format choice and shopping trip types - Sep 07 2022

web jun 19 2009 purpose the purpose of the paper is to identify store format attributes that impact on store format choice when consumers conduct fill in or major trips to buy groceries by doing so we take

**sample format for international shopping mca** - Sep 19 2023

web sample format for international shopping author itsen last modified by keti created date 2 24 2015 11 31 00 am company the world bank group other titles sample format for international shopping

sample format for international shopping - Aug 06 2022

web 1 p a g e integrity commission 1st floor pioj building 16 oxford road kingston 5 phone 1 876 929 6460 876 926 0021

website integrity gov jm date december 15 2022 addendum 1 ref no 4579 46 to all prospective bidders

**sample format for international shopping pdf uniport edu** - Jan 31 2022

web jul 20 2023 pay for sample format for international shopping and numerous ebook collections from fictions to scientific research in any way in the course of them is this sample format for international shopping that can be your partner

**sample at for international shopping doc** - May 15 2023

web do whatever you want with a sample format for international shopping fill sign print and send online instantly securely download your document with other editable templates any time with pdfiller

*sample format for international shopping* - Aug 18 2023

web sample format for international shopping government of jamaica public procurement standard bidding document annex g3 procurement of goods restricted bidding request for quotation rfq foreword this standard bidding document sbd for procurement of goods has been prepared by the ministry of finance mof

[sample format for international shopping](#) - Jun 16 2023

web sample format for international shopping author itsen last modified by user created date 12 21 2022 2 29 00 pm company the world bank group other titles sample format for international shopping sample format for international shopping

**import export business plan 9 examples format pdf** - Jan 11 2023

web you may also see business plan outline with examples if you re planning to export or even import goods for your business then you first need to create a business plan listed below are some import export business plan examples which will be handy for your business

**48 examples of international business simplicable** - Dec 10 2022

web aug 18 2021 likewise there is broad participation in media and other digital services that are relatively easy to distribute globally the following are common examples of international business advertising airlines automotive candy chemicals commercial banking computing infrastructure

**sample format for international shopping doczz net** - May 03 2022

web sample format for international shopping email protected

**transferring the retail format successfully into foreign** - Jul 05 2022

web mar 1 2013 using a sample of 18 international retailers with operations on six continents for the period 2001 2015 we find evidence of the s curve dynamic where international retailers tend to experience

**blueberry band 24 die letzte karte 1 aufl zustand 1 carlsen 1993** - May 01 2022

web blueberry band 24 die letzte karte 1 aufl zustand 1 carlsen 1993 eur 15 00 zu verkaufen inhalt in chihuahua hoffen

blueberry jimmy mcclure und red neck eine spur 204420731210

*blueberry 24 die letzte karte pdf pdf support ortax* - Dec 28 2021

web blueberry 24 die letzte karte pdf introduction blueberry 24 die letzte karte pdf pdf the magic of trees fondation beyeler 1998 some of the oldest and most enduring myths involve the tree why this is should be obvious for without trees there would be no oxygen fire heat wood paper nor dwellings in short no life as we know it

*tureng blueberry türkçe İngilizce sözlük* - Jan 29 2022

web botanik blueberry root i kuzey amerika ve asya da yetişen eskiden tıbbi amaçlarla kullanılan mavi meyveli ve kalın budaklı bir ot 9 botanik rabbiteye blueberry i özellikle konserve endüstrisi için yetiştirilen güneydoğu amerika ya özgü bir

çalı 10 botanik

**blueberry 24 die letzte karte paperback 15 dec 2003 amazon de** - Aug 04 2022

web blueberry 24 die letzte karte charlier jean michel giraud jean berner horst amazon de books

**die letzte karte leutnant blueberry 24 ehapa comic collection** - Jun 02 2022

web informationen zum titel die letzte karte aus der reihe leutnant blueberry 24 mit verfügbarkeitsabfrage facts information about title die letzte karte from the series leutnant blueberry 24 with availability check

**blueberry 24 die letzte karte 10 00 egmont shop** - Jun 14 2023

web dec 15 2003 die letzte karte seine elektrisierende ausstrahlung hat mike steve blueberry zu einem der bedeutendsten westernhelden der populären unterhaltungsliteratur gemacht blueberrys geistige väter und schöpfer

blueberry 24 die letzte karte jean giraud eur 10 00 - Jul 03 2022

web kurzbeschreibung titel blueberry 24 die letzte karte einband taschenbuch autor jean giraud verlag ehapa comic collection sprache deutsch seiten 48 maße 287x216x4 mm gewicht 235 g verkäufer buchhandlunghoffmann schlagworte zack western comic moebius moebius comic western cowboy powered by inforius condition

blueberry 24 die letzte karte jean michel charlier jean giraud - Oct 06 2022

web blueberry der western klassiker inspiriert durch eine reise durch den amerikanischen westen schufen autor jean michel charlier und zeichner jean giraud 1963 einen westerncomic der aufgrund seiner a

**blueberry 24 die letzte karte taschenbuch 15 dezember 2003 amazon de** - Aug 16 2023

web blueberry 24 die letzte karte charlier jean michel giraud jean berner horst isbn 9783770405336 kostenloser versand für alle bücher mit versand und verkauf duch amazon

*die letzte karte blueberry broschiert amazon de* - Nov 07 2022

web die letzte karte blueberry charlier jean m giraud isbn 9783551719539 kostenloser versand für alle bücher mit versand und verkauf duch amazon

**leutnant blueberry 24 die letzte karte giraud ehapa ea top** - Jan 09 2023

web softcover comic album leutnant blueberry von charlier und giraud band 24 die letzte karte isbn 9783770405299336 ehapa verlag 1 auflage sehr guter bis neuwertiger

**3551719535 die letzte karte blueberry charlier jean m** - Mar 31 2022

web die letzte karte blueberry finden sie alle bücher von charlier jean m bei der büchersuchmaschine eurobuch com können sie antiquarische und neubücher vergleichen und sofort zum bestpreis bestellen 3551719535 illustrator giraud carlsen broschiert produktgruppe buch verkaufsrang 65 leutnant bücher finden vergleichen kaufen

blueberry 24 die letzte karte die letzte karte lovelybooks - Jul 15 2023

web inhaltsangabe zu blueberry 24 die letzte karte die letzte karte seine elektrisierende ausstrahlung hat mike steve blueberry zu einem der bedeutendsten westernhelden der populären unterhaltungsliteratur gemacht blueberrys geistige väter und schöpfer sind jean michel charlier und jean giraud

**blueberry 24 die letzte karte thalia at** - May 13 2023

web egal worauf sie lust haben entdecken sie jetzt bücher für den leseherbst band 24 bilder anzeigen leutnant blueberry band 24 blueberry 24 die letzte karte jean michel charlier jean giraud buch taschenbuch 10 90 inkl gesetzl mwst zzgl

**die letzte karte 9783551719539 abebooks** - Dec 08 2022

web die letzte karte at abebooks co uk isbn 10 3551719535 isbn 13 9783551719539 softcover

**blueberry 24 die letzte karte by jean michel charlier jean** - Feb 27 2022

web blueberry 24 die letzte karte by jean michel charlier jean giraud horst berner ladenetz karte bekomme ich von meinen örtlichen stadtwerken nicht vor 2018 so war die aussage blueberry 24 die letzte karte blueberry 24 die letzte karte von jean michel charlier buch 10 30 band 26 blueberry 26 der weg in die freiheit blueberry 26 der weg in

**blueberry 24 die letzte karte von jean michel charlier jean** - Feb 10 2023

web blueberry 24 die letzte karte von jean michel charlier jean giraud Über 1 5 mio bücher im faltershop bestellen versandkostenfrei ab 35

**3770405331 blueberry 24 die letzte karte charlier jean** - Mar 11 2023

web blueberry 24 die letzte karte finden sie alle bücher von charlier jean michel giraud jean bei der büchersuchmaschine eurobuch com können sie antiquarische und neubücher vergleichen und sofort zum bestpreis bestellen 3770405331 seine elektrisierende ausstrahlung hat mike steve blueberry zu einem

**blueberry 24 die letzte karte leutnant blueberry band 24 von** - Apr 12 2023

web blueberry 24 die letzte karte leutnant blueberry band 24 von jean michel charlier 15 dezember 2003 taschenbuch isbn kostenloser versand für alle bücher mit versand und verkauf duch amazon

**gcd issue leutnant blueberry 24 leutnant blueberry die** - Sep 05 2022

web leutnant blueberry 24 leutnant blueberry die letzte karte egmont ehapa 1989 series previous issue

*4th grade spelling words hsp storytown pdf preview neurosynth* - Sep 01 2022

web reviewing 4th grade spelling words hsp storytown unlocking the spellbinding force of linguistics in a fast paced world fueled by information and interconnectivity the spellbinding force of linguistics has acquired newfound prominence

harcourt storytown spelling list fourth grade pdf - Dec 04 2022

web yet situated within the pages of harcourt storytown spelling list fourth grade a fascinating literary treasure sporting with raw feelings lies an extraordinary journey waiting to be undertaken penned by a talented wordsmith this marvelous opus

encourages viewers on an introspective journey

[harcourt storytown spelling list fourth grade pdf pivotid uvu](#) - Apr 27 2022

web oct 27 2023 harcourt storytown spelling list fourth grade harcourt storytown spelling list fourth grade 3 downloaded from pivotid uvu edu on 2023 08 27 by guest homeschoolers and teachers grammar practice book grade 4 2005 09 workbook exercises cover composition and grammar themes for 4th graders super spellers

[fourth grade spelling words free 4th grade weekly list](#) - Sep 13 2023

web fourth grade spelling words 36 week program the fourth grade spelling words curriculum below spans 36 weeks and includes a master spelling list and five different printable spelling activities per week to help support learning

**harcourt storytown spelling teaching resources tpt** - Jun 10 2023

web this spelling test correlates with the 4th grade harcourt storytown reading series instead of calling out the words and letting your students spell them test them on the vocabulary of the spelling words while it is important to be able to actually spell the words correctly it is also very important to know what the words mean

**storytown spelling practice book student edition grade 4 by harcourt** - Apr 08 2023

web sep 1 2005 storytown spelling practice book student edition grade 4 by harcourt school publishers hsp open library not in library want to read 1 2 more small commission overview view 1 edition details reviews lists related books last edited by tom morris november 9 2022 history edit

**storytown spelling practice book teacher edition grade 3 by harcourt** - Oct 02 2022

web sep 1 2005 a tradition of excellence daily shipping priced to sell ships from north alabama georgia or central tennessee 56 pages paperback published september 1 2005 book details editions

**harcourt storytown spelling lists pack tpt** - Feb 06 2023

web do you teach harcourt storytown in your first grade classroom this is the perfect supplement for you you have an easy access pdf file with all of the spelling lists spelling test sheets and spelling test scores tracker sheets

**harcourt grade 4 lesson 4 spelling lists 2023 preview neurosynth** - Feb 23 2022

web harcourt grade 4 lesson 4 spelling lists harcourt grade 4 lesson 4 spelling lists 2 downloaded from preview neurosynth org on 2021 09 18 by guest publishers staff 1999 04 15 harcourt science 2004 08 evidence based interventions for students with learning and behavioral challenges richard j morris 2008 01 14 this book assembles into one

[harcourt storytown teaching resources tpt](#) - Mar 07 2023

web browse harcourt storytown resources on teachers pay teachers a marketplace trusted by millions of teachers for original educational resources

[1st grade harcourt storytown spelling word lists theme 4](#) - Mar 27 2022

web this file includes the spelling word lists the go with the harcourt storytown literacy curriculum these lists are for theme 4 lessons 13 18 they can be used for classroom display in word work centers or to be sent home weekly with students

**harcourt grade 4 lesson 4 spelling lists pdf** - May 29 2022

web harcourt grade 4 lesson 4 spelling lists book review unveiling the magic of language in an electronic era where connections and knowledge reign supreme the enchanting power of language has be more apparent than ever

storytown practice book student edition grade 4 amazon com - Jan 05 2023

web sep 1 2005 amazon com storytown practice book student edition grade 4 0781349347031 harcourt school publishers books

fire harcourt 4th grade story vocabulary orientation sutd edu - Jul 31 2022

web quizlet provides harcourt reading 4th grade storytown activities flashcards and games start learning today for free my 4th grade spelling activities for this list practice harcourt spelling lists fourth grade spelling words theme 1 you can do it the gardener donovan s word jar fire a

*spelling practice book grade 4 with mr callahan* - Oct 14 2023

web use flashcards write each spelling word on an index card with a partner take turns selecting a card and calling out a word for your partner to spell repeat using the flashcards until both of you can correctly spell all the words write a spelling word that is similar to each word in the list 1 wide 2 fear 3 movie 4 crack 5 chore 6 kind

**3rd grade harcourt storytown spelling lists tpt** - Jun 29 2022

web 8 ratings view preview grade levels 3rd subjects spelling resource type activities flash cards for parents formats included pdf 2 00 add one to cart buy licenses to share add to wish list report this resource to tpt miss nelson 8 5k followers follow description reviews 8 q a more from miss nelson

**fire harcourt 4th grade story vocabulary** - Nov 03 2022

web may 13th 2018 my 4th grade spelling activities for this list practice answer a few questions on each word on this or a lifelong learner vocabulary com can put storytown 4th grade powerpoints edit 0 9 4 tags 4th grade harcourt fourth grade storytown vocabulary 20 20week 208 1 pptx details vocabulary 4th grade storytown robust study

*storytown spelling practice book student edition grade 4* - May 09 2023

web sep 1 2005 storytown spelling practice book student edition grade 4 paperback september 1 2005 by harcourt school publishers author 4 7 out of 5 stars 23 ratings

*4th grade spelling words fourth grade spelling lists* - Aug 12 2023

web our fourth grade spelling lists paired with our learning activities reinforce foundational spelling skills like phonics and word recognition challenge your students with word meaning and improve reading comprehension 4th grade evan moor

spelling lists building spelling skills week 2 list attach where sandwich change watch singer

storytown spelling 4th grade teaching resources tpt - Jul 11 2023

web results for storytown spelling 4th grade 135 results sort by relevance view list storytown templates for 4th grade

spelling and vocabulary words by teaching adventures 4 0 1 3 00 zip use these templates to help students study their words and understand them better it includes word lists from all 30 lessons