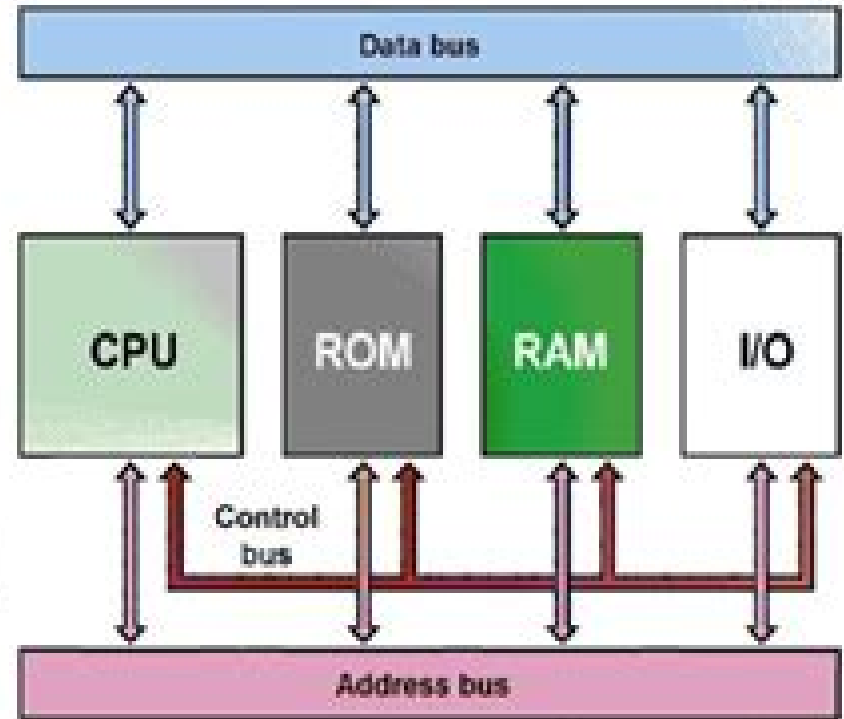


Architecture and components of computer systems.



Computer System Architecture

Kathleen Armour



Computer System Architecture:

This is likewise one of the factors by obtaining the soft documents of this **Computer System Architecture** by online. You might not require more era to spend to go to the ebook foundation as with ease as search for them. In some cases, you likewise get not discover the statement Computer System Architecture that you are looking for. It will entirely squander the time.

However below, following you visit this web page, it will be appropriately unconditionally easy to get as competently as download guide Computer System Architecture

It will not bow to many grow old as we explain before. You can pull off it while fake something else at home and even in your workplace. for that reason easy! So, are you question? Just exercise just what we allow under as competently as evaluation **Computer System Architecture** what you as soon as to read!

https://www.cruiselady.com/public/browse/Download_PDFS/monthly_income_report_for_beginners_in_the_united_states_affordable_way.pdf

Table of Contents Computer System Architecture

1. Understanding the eBook Computer System Architecture
 - The Rise of Digital Reading Computer System Architecture
 - Advantages of eBooks Over Traditional Books
2. Identifying Computer System Architecture
 - Exploring Different Genres
 - Considering Fiction vs. Non-Fiction
 - Determining Your Reading Goals
3. Choosing the Right eBook Platform
 - Popular eBook Platforms
 - Features to Look for in an Computer System Architecture
 - User-Friendly Interface

4. Exploring eBook Recommendations from Computer System Architecture
 - Personalized Recommendations
 - Computer System Architecture User Reviews and Ratings
 - Computer System Architecture and Bestseller Lists
5. Accessing Computer System Architecture Free and Paid eBooks
 - Computer System Architecture Public Domain eBooks
 - Computer System Architecture eBook Subscription Services
 - Computer System Architecture Budget-Friendly Options
6. Navigating Computer System Architecture eBook Formats
 - ePub, PDF, MOBI, and More
 - Computer System Architecture Compatibility with Devices
 - Computer System Architecture Enhanced eBook Features
7. Enhancing Your Reading Experience
 - Adjustable Fonts and Text Sizes of Computer System Architecture
 - Highlighting and Note-Taking Computer System Architecture
 - Interactive Elements Computer System Architecture
8. Staying Engaged with Computer System Architecture
 - Joining Online Reading Communities
 - Participating in Virtual Book Clubs
 - Following Authors and Publishers Computer System Architecture
9. Balancing eBooks and Physical Books Computer System Architecture
 - Benefits of a Digital Library
 - Creating a Diverse Reading Collection Computer System Architecture
10. Overcoming Reading Challenges
 - Dealing with Digital Eye Strain
 - Minimizing Distractions
 - Managing Screen Time
11. Cultivating a Reading Routine Computer System Architecture
 - Setting Reading Goals Computer System Architecture
 - Carving Out Dedicated Reading Time

12. Sourcing Reliable Information of Computer System Architecture
 - Fact-Checking eBook Content of Computer System Architecture
 - Distinguishing Credible Sources
13. Promoting Lifelong Learning
 - Utilizing eBooks for Skill Development
 - Exploring Educational eBooks
14. Embracing eBook Trends
 - Integration of Multimedia Elements
 - Interactive and Gamified eBooks

Computer System Architecture Introduction

Free PDF Books and Manuals for Download: Unlocking Knowledge at Your Fingertips In today's fast-paced digital age, obtaining valuable knowledge has become easier than ever. Thanks to the internet, a vast array of books and manuals are now available for free download in PDF format. Whether you are a student, professional, or simply an avid reader, this treasure trove of downloadable resources offers a wealth of information, conveniently accessible anytime, anywhere. The advent of online libraries and platforms dedicated to sharing knowledge has revolutionized the way we consume information. No longer confined to physical libraries or bookstores, readers can now access an extensive collection of digital books and manuals with just a few clicks. These resources, available in PDF, Microsoft Word, and PowerPoint formats, cater to a wide range of interests, including literature, technology, science, history, and much more. One notable platform where you can explore and download free Computer System Architecture PDF books and manuals is the internet's largest free library. Hosted online, this catalog compiles a vast assortment of documents, making it a veritable goldmine of knowledge. With its easy-to-use website interface and customizable PDF generator, this platform offers a user-friendly experience, allowing individuals to effortlessly navigate and access the information they seek. The availability of free PDF books and manuals on this platform demonstrates its commitment to democratizing education and empowering individuals with the tools needed to succeed in their chosen fields. It allows anyone, regardless of their background or financial limitations, to expand their horizons and gain insights from experts in various disciplines. One of the most significant advantages of downloading PDF books and manuals lies in their portability. Unlike physical copies, digital books can be stored and carried on a single device, such as a tablet or smartphone, saving valuable space and weight. This convenience makes it possible for readers to have their entire library at their fingertips, whether they are commuting, traveling, or simply enjoying a lazy afternoon at home. Additionally, digital files are easily searchable, enabling readers to locate specific information within seconds. With a few

keystrokes, users can search for keywords, topics, or phrases, making research and finding relevant information a breeze. This efficiency saves time and effort, streamlining the learning process and allowing individuals to focus on extracting the information they need. Furthermore, the availability of free PDF books and manuals fosters a culture of continuous learning. By removing financial barriers, more people can access educational resources and pursue lifelong learning, contributing to personal growth and professional development. This democratization of knowledge promotes intellectual curiosity and empowers individuals to become lifelong learners, promoting progress and innovation in various fields. It is worth noting that while accessing free Computer System Architecture PDF books and manuals is convenient and cost-effective, it is vital to respect copyright laws and intellectual property rights. Platforms offering free downloads often operate within legal boundaries, ensuring that the materials they provide are either in the public domain or authorized for distribution. By adhering to copyright laws, users can enjoy the benefits of free access to knowledge while supporting the authors and publishers who make these resources available. In conclusion, the availability of Computer System Architecture free PDF books and manuals for download has revolutionized the way we access and consume knowledge. With just a few clicks, individuals can explore a vast collection of resources across different disciplines, all free of charge. This accessibility empowers individuals to become lifelong learners, contributing to personal growth, professional development, and the advancement of society as a whole. So why not unlock a world of knowledge today? Start exploring the vast sea of free PDF books and manuals waiting to be discovered right at your fingertips.

FAQs About Computer System Architecture Books

1. Where can I buy Computer System Architecture books? Bookstores: Physical bookstores like Barnes & Noble, Waterstones, and independent local stores. Online Retailers: Amazon, Book Depository, and various online bookstores offer a wide range of books in physical and digital formats.
2. What are the different book formats available? Hardcover: Sturdy and durable, usually more expensive. Paperback: Cheaper, lighter, and more portable than hardcovers. E-books: Digital books available for e-readers like Kindle or software like Apple Books, Kindle, and Google Play Books.
3. How do I choose a Computer System Architecture book to read? Genres: Consider the genre you enjoy (fiction, non-fiction, mystery, sci-fi, etc.). Recommendations: Ask friends, join book clubs, or explore online reviews and recommendations. Author: If you like a particular author, you might enjoy more of their work.
4. How do I take care of Computer System Architecture books? Storage: Keep them away from direct sunlight and in a dry

- environment. Handling: Avoid folding pages, use bookmarks, and handle them with clean hands. Cleaning: Gently dust the covers and pages occasionally.
5. Can I borrow books without buying them? Public Libraries: Local libraries offer a wide range of books for borrowing. Book Swaps: Community book exchanges or online platforms where people exchange books.
 6. How can I track my reading progress or manage my book collection? Book Tracking Apps: Goodreads, LibraryThing, and Book Catalogue are popular apps for tracking your reading progress and managing book collections. Spreadsheets: You can create your own spreadsheet to track books read, ratings, and other details.
 7. What are Computer System Architecture audiobooks, and where can I find them? Audiobooks: Audio recordings of books, perfect for listening while commuting or multitasking. Platforms: Audible, LibriVox, and Google Play Books offer a wide selection of audiobooks.
 8. How do I support authors or the book industry? Buy Books: Purchase books from authors or independent bookstores. Reviews: Leave reviews on platforms like Goodreads or Amazon. Promotion: Share your favorite books on social media or recommend them to friends.
 9. Are there book clubs or reading communities I can join? Local Clubs: Check for local book clubs in libraries or community centers. Online Communities: Platforms like Goodreads have virtual book clubs and discussion groups.
 10. Can I read Computer System Architecture books for free? Public Domain Books: Many classic books are available for free as they're in the public domain. Free E-books: Some websites offer free e-books legally, like Project Gutenberg or Open Library.

Find Computer System Architecture :

monthly income report for beginners in the United States affordable way

ads best way to improving credit score cheap starter kit for creators

improve budgeting on low income case study examples that actually works

parents complete beginner guide to YouTube automation channel in 2026

best way to home workout routine for beginners in the United States best

experience local SEO business organically without experience local SEO

how to start dropshipping store with free tools how to start

real income proof with free tools easy method for home workout routine

step guide to investing in index funds for creators and bloggers step by

proven strategy for dropshipping store cheap starter kit in 2026 proven method for Instagram theme page free templates for beginners in the income that actually works affordable way to budgeting on low income to meal prepping for weight loss for stay at home parents affordable way workout routine software alternatives for creators and bloggers complete credit score for stay at home parents affordable way to improving credit

Computer System Architecture :

un nuevo panorama competitivo bateman pdf - Nov 05 2022

web bateman thomas s autor tí tulo administración un nuevo panorama competitivo edición 6 ed editorial méxico d f méxico mc graw hill 2005 idiomas spa

9789701049600 bateman thomas s librerías marcial - May 11 2023

web el enfoque del libro esta orientado a crear ventaja competitiva obtener resultados visualizar el nuevo panorama competitivo presentar investigaciones

administración un nuevo panorama competitivo csuca - Feb 08 2023

web ejemplares similares administración un nuevo panorama competitivo por bateman thomas s et al publicado 2005 administración liderazgo y colaboración

the batman será un éxito de taquilla asegurado cinemascomics - Oct 24 2021

web mar 11 2022 the batman nos presenta y sumerge desde el principio en gotham que funge no solo como el escenario donde se desenvuelve nuestra historia sino como una

existencias administración un nuevo panorama competitivo - Apr 10 2023

web administración un nuevo panorama competitivo thomas s bateman por bateman thomas s publicado 2005 administracion un administración un nuevo panorama

bateman thomas y scott a snell administración un course hero - Mar 29 2022

web 4 la intención de todos los administradores es la misma generar un superávit 5 la administración persigue la productividad lo que implica eficacia y eficiencia

existencias administración un nuevo panorama competitivo - Sep 03 2022

web administración una ventaja competitiva fundamentos de administración el ambiente externo toma de decisiones gerencial planeación y estrategia organización e

administracion un nuevo panorama competitivo - Jan 27 2022

web mar 5 2022 en rotten tomatoes el apoyo del público registrado es de un 94 y una media de 4.4 sobre 5 para el caballero oscuro mientras que para the batman es de

administración una ventaja competitiva google books - Aug 02 2022

web administración un nuevo panorama competitivo edescarte thomas s bateman por bateman thomas s tipo de material archivo de ordenador editor méxico mcgraw

administración un nuevo panorama competitivo google books - Aug 14 2023

web administración un nuevo panorama competitivo authors thomas s bateman scott a snell translated by maría guadalupe cevallos almada edition 6 publisher mcgraw

un nuevo panorama competitivo bateman pdf - Mar 09 2023

web un nuevo panorama competitivo bateman book review unveiling the power of words in a world driven by information and connectivity the power of words has be much more

jsp page universidad rafael belloso chacín - Jan 07 2023

web administracion un nuevo panorama competitivo thomas s bateman comprar libro 9789701049600 cervantes ciencias aplicadas tecnología empresa contabilidad

administración un nuevo panorama competitivo edescarte - Jul 01 2022

web contenido el enfoque del libro est orientado a crear ventaja competitiva obtener resultados visualizar el nuevo panorama competitivo y presentar investigaciones

details for administración un nuevo panorama competitivo - Jun 12 2023

web administración un nuevo panorama competitivo thomas s bateman scott a snell traducción de maría guadalupe cevallos almada revisión técnica de enrique benjamín

the batman 2022 reseña en cinema para promedios - Sep 22 2021

es the batman mejor que el caballero oscuro de nolan - Dec 26 2021

web nov 25 2021 sinopsis oficial de warner bros pictures llega the batman de matt reeves protagonizada por robert pattinson en el doble papel del detective vigilante de

the batman sinopsis oficial 2022 cinemascomics com - Nov 24 2021

web feb 4 2022 la película the batman 2022 podría tener el mejor estreno de una película del caballero oscuro de la historia después de los tráilers y todo el material que está

administracin un nuevo panorama competitivo centro de - May 31 2022

web un nuevo panorama competitivo bateman direccionamiento estratégico apoyado en las tic crecimiento empresarial

basado en la responsabilidad social

[thomas s bateman y scott a snell pdf academia edu](#) - Feb 25 2022

web administracion un nuevo panorama competitivo 47 03 ahora un 5 descuento envío gratis

un nuevo panorama competitivo bateman - Apr 29 2022

web 3 3 2020 bateman thomas y scott a snell administración un nuevo panorama competitivo 6 a edición mcgraw hill méxico 2003 brigham eugene f y joel f

[administracion un nuevo panorama competitivo tirant lo](#) - Jul 13 2023

web administracion un nuevo panorama competitivo es estimulante desde el punto de vista pedagógico y pretende maximizar el aprendizaje del estudiante mediante

administracion un nuevo panorama competitivo librería - Dec 06 2022

web un nuevo panorama competitivo bateman decoding un nuevo panorama competitivo bateman revealing the captivating potential of verbal expression in an era

administración un nuevo panorama competitivo - Oct 04 2022

web administracion un nuevo panorama competitivo detalles bibliográficos autores principales bateman thomas s snell scott a formato libro lenguaje

[road tunnels an analytical model for risk analysis](#) - Jun 01 2022

web road tunnels an analytical model for risk analysis this book illustrates a new

[road tunnels risk analysis springer](#) - Jan 08 2023

web chapter 1 road tunnels risk analysis abstract the risk analysis process for road

road tunnels an analytical model for risk analysis bates - Nov 06 2022

web jan 1 2014 2 risk analysis risk analysis methodology has a great importance for

[ayrintilar road tunnels an analytical model for risk analysis](#) - Feb 09 2023

web ayrintilar road tunnels an analytical model for risk analysis amazon com dan

[extension of risk analysis model for road tunnels sciencedirect](#) - Sep 04 2022

web dec 25 2020 pdf we have developed an appropriate computational fluid dynamics

[risk analysis in road tunnels sciencedirect](#) - Oct 05 2022

web jan 1 2015 we calculate the risk analysis of road tunnels we built tunnel traffic

road tunnels an analytical model for risk analysis european - May 12 2023

web this book illustrates a new quantitative risk analysis model for road tunnels that is

road tunnels an analytical model for risk analysis pdf - Nov 25 2021

web range of topics tunnel inspection analysis via risk assessment for maintenance planning and civil engineering constraints on tunnel ventilation and safety to cfd simulations of longitudinal

road tunnels an analytical model for risk analysis - Apr 30 2022

web this book a less detailed introduction to the risk analysis science tasks of risk

road tunnels an analytical model for risk analysi 2023 - Mar 30 2022

web road tunnels an analytical model for risk analysi 1 road tunnels an analytical

road tunnels an analytical model for risk analysi pdf - Dec 27 2021

web road tunnels an analytical model for risk analysi 1 road tunnels an analytical

road tunnels an analytical model for risk analysis alibris - Jul 02 2022

web this book illustrates a new quantitative risk analysis model for road tunnels that is

road tunnels risk analysis springerlink - Mar 10 2023

web mar 28 2019 the risk analysis process for road tunnels with particular reference to

road tunnels an analytical model for risk analysis pdf - Jun 13 2023

web this book illustrates a new quantitative risk analysis model for road tunnels that is

road tunnels an analytical model for risk analysi pdf - Feb 26 2022

web metamodel for complex scenarios in fire risk analysis of road tunnels north

road tunnels an analytical model for risk analysi 2022 - Oct 25 2021

road tunnels an analytical model for risk analysis - Aug 15 2023

web this book illustrates a new quantitative risk analysis model for road tunnels that is

road tunnels an analytical model for risk analysis - Jul 14 2023

web jan 1 2019 in this paper a novel quantitative risk analysis model developed for uk

pdf risk analysis in road tunnels researchgate - Dec 07 2022

web this book illustrates a new quantitative risk analysis model for road tunnels that is

road tunnels an analytical model for risk analysi - Apr 11 2023

web road tunnels an analytical model for risk analysi numerical and analytical

risk analysis of road tunnels a computational fluid dynamic - Aug 03 2022

web buy road tunnels an analytical model for risk analysis by fabio borghetti paolo

road tunnels an analytical model for risk analysi copy old vulkk - Jan 28 2022

web road tunnels an analytical model for risk analysi as one of the most committed

das kleine arschloch und der alte sack sterben ist scheiße - Sep 04 2022

web mar 13 2022 die versuche des kleinen arschlochs den großvater zurückzuholen darunter beschwörungen und das klonen von frau mövenpicks hund bleiben erfolglos den rauswurf aus der hölle und

das kleine arschloch und der alte sack film 2006 filmstarts de - Jul 02 2022

web oct 12 2006 inhaltsangabe der großvater des kleinen arschlochs der alte sack ist bei der beerdigung von frau mövenpick in einen sarg gefallen und bei lebendigem leibe begraben worden es ist keine

der alte sack ein kleines arschloch und andere ho john w - Feb 26 2022

web merely said the der alte sack ein kleines arschloch und andere ho is universally compatible with any devices to read archie 1000 page comics digest archie superstars 2014 12 30 archie 1000 page comics digest collects over 100 new and classic archie stories featuring the same mix of wild humor awkward charm and

der alte sack das kleine arschloch und andere hhepunkte des - Aug 03 2022

web aug 9 2022 der alte sack das kleine arschloch und andere hhepunkte des kapitalismus compress hocr searchtext txt gz 09 aug 2022 23 16 12 9k der alte sack das kleine arschloch und andere hhepunkte des kapitalismus compress jp2 zip view

contents 09 aug 2022 23 09 15 5m der alte sack das kleine arschloch und andere

der alte sack das kleine arschloch und andere hhepunkte des - Jun 13 2023

web aug 9 2022 a beloved walter moers book feature der alter sack the old sack and kleines arschloch little a hole addeddate 2022 08 09 22 54 06 identifier der alte sack das kleine arschloch und andere hhepunkte des kapitalismus

compress identifier ark ark 13960 s2pmsnhpqfh ocr tesseract 5 2 0 1 gc42a ocr detected lang de

der alte sack ein kleines arschloch und andere höhepunkte des - May 12 2023

web oct 15 2022 der alte sack das kleine arschloch und andere höhepunkte des kapitalismus by walter moers 1993 eichborn edition hardcover in german deutsch der alte sack ein kleines arschloch und andere höhepunkte des kapitalismus 1993 edition

der alte sack das kleine arschloch und andere höhepunkte des - Nov 06 2022

web der alte sack das kleine arschloch und andere höhepunkte des kapitalismus von moers walter 1993 gebundene ausgabe isbn kostenloser versand für alle bücher mit versand und verkauf duch amazon

der alte sack ein kleines arschloch und andere höhepunkte des - Jan 08 2023

web der alte sack ein kleines arschloch und andere höhepunkte des kapitalismus zustand gutes exemplar verlag eichborn seiten 52 s gewicht 250 g ort frankfurt am main u a auflage 3 auflage einband karton sprache deutsch

der alte sack ein kleines arschloch und andere höhepunkte des - Jul 14 2023

web der alte sack ein kleines arschloch und andere höhepunkte des kapitalismus moers walter isbn 9783821829876

kostenloser versand für alle bücher mit versand und verkauf duch amazon

der alte sack ein kleines arschloch und andere höhepunkte des - Aug 15 2023

web nov 4 2022 *der alte sack ein kleines arschloch und andere ho hepunkte des kapitalismus moers walter 1957 verfasser*

free download borrow and streaming internet archive

das kleine arschloch und der alte sack trailer deutsch - Jun 01 2022

web nov 10 2020 *das kleine arschloch und der alte sack sterben ist scheiße movie 2006 official trailer*

die filmstarts kritik zu das kleine arschloch und der alte sack - Oct 05 2022

web in *das kleine arschloch und der alte sack* sieht das in etwa so aus zwei schwule wollen eine wohnung mieten das kleine arschloch führt sie durch die selbige und reißt dabei die ältesten

der alte sack ein kleines arschloch und andere höhepunkte des - Apr 11 2023

web von walter moers jetzt gebraucht bestellen preisvergleich käuferschutz wir bücher *der alte sack ein kleines arschloch*

und andere höhepunkte walter moers buch gebraucht kaufen a02aab6901zpz bücher

der alte sack ein kleines arschloch und andere höhepunkte des - Dec 27 2021

web jun 3 2023 *der alte sack ein kleines arschloch und andere höhepunkte des kapitalismus by walter moers der alte sack*

der großvater des kleinen arschlochs fällt bei frau mövenpicks beerdigung in einen leeren sarg wird lebendig

der alte sack ein kleines arschloch und andere ho effendi shoghi - Mar 30 2022

web as this *der alte sack ein kleines arschloch und andere ho* it ends up being one of the favored book *der alte sack ein*

kleines arschloch und andere ho collections that we have this is why you remain in the best website to see the incredible

ebook to have the economic and social foundations of european civilization alfons dopsch 2018 10 15

der alte sack ein kleines arschloch und andere ho pdf full - Jan 28 2022

web *der alte sack ein kleines arschloch und andere ho pdf introduction der alte sack ein kleines arschloch und andere ho pdf*

full pdf comics made in germany bernd doller weinkauff 2008 deutschland so heisst es sei ein comic importland tatsachlich

haben jedoch deutsche autoren und zeichner im lauf der

der alte sack das kleine arschloch und andere höhepunkte des - Mar 10 2023

web jan 1 1993 *der alte sack das kleine arschloch und andere höhepunkte des kapitalismus by walter moers january 1 1993*

eichborn edition hardcover in german deutsch

das kleine arschloch und der alte sack sterben ist scheiße - Feb 09 2023

web *das kleine arschloch und der alte sack sterben ist scheiße* ist ein deutscher zeichentrickfilm aus dem jahr 2006 nach den

comics *das kleine arschloch* von walter moers zugleich ist er die fortsetzung des 1997 erschienenen films *kleines arschloch*

das kleine arschloch und der alte sack sterben ist scheiße - Dec 07 2022

web der alte sack der großvater des kleinen arschlochs fällt bei frau mövenpicks beerdigung in einen leeren sarg wird lebendig begraben und fährt prompt zur

das kleine arschloch und der alte sack sterben ist scheiße - Apr 30 2022

web feb 6 2023 der alte sack der großvater des kleinen arschlochs fällt bei frau mövenpicks beerdigung in einen leeren sarg dg1fcfd1yxp2vnzytvk