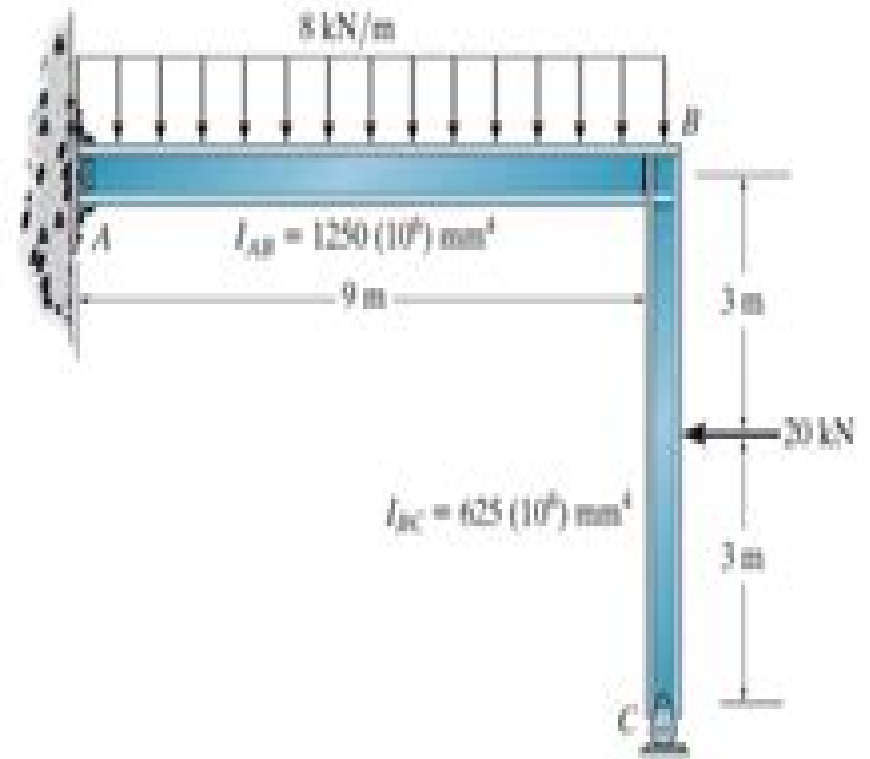


# ANALYSIS OF STATICALLY INDETERMINATE STRUCTURES BY THE FORCE METHOD



# Analysis Of Statically Indeterminate Structures

**H Kauffman**



## **Analysis Of Statically Indeterminate Structures:**

Immerse yourself in the artistry of words with is expressive creation, Discover the Artistry of **Analysis Of Statically Indeterminate Structures** . This ebook, presented in a PDF format ( Download in PDF: \*), is a masterpiece that goes beyond conventional storytelling. Indulge your senses in prose, poetry, and knowledge. Download now to let the beauty of literature and artistry envelop your mind in a unique and expressive way.

<https://www.cruiselady.com/results/scholarship/Documents/Decomposition%20Institute%20Of%20Biologys%20Studies%20In%20Biology%20No%2074.pdf>

## **Table of Contents Analysis Of Statically Indeterminate Structures**

1. Understanding the eBook Analysis Of Statically Indeterminate Structures
  - The Rise of Digital Reading Analysis Of Statically Indeterminate Structures
  - Advantages of eBooks Over Traditional Books
2. Identifying Analysis Of Statically Indeterminate Structures
  - Exploring Different Genres
  - Considering Fiction vs. Non-Fiction
  - Determining Your Reading Goals
3. Choosing the Right eBook Platform
  - Popular eBook Platforms
  - Features to Look for in an Analysis Of Statically Indeterminate Structures
  - User-Friendly Interface
4. Exploring eBook Recommendations from Analysis Of Statically Indeterminate Structures
  - Personalized Recommendations
  - Analysis Of Statically Indeterminate Structures User Reviews and Ratings
  - Analysis Of Statically Indeterminate Structures and Bestseller Lists
5. Accessing Analysis Of Statically Indeterminate Structures Free and Paid eBooks
  - Analysis Of Statically Indeterminate Structures Public Domain eBooks
  - Analysis Of Statically Indeterminate Structures eBook Subscription Services

- Analysis Of Statically Indeterminate Structures Budget-Friendly Options
- 6. Navigating Analysis Of Statically Indeterminate Structures eBook Formats
  - ePub, PDF, MOBI, and More
  - Analysis Of Statically Indeterminate Structures Compatibility with Devices
  - Analysis Of Statically Indeterminate Structures Enhanced eBook Features
- 7. Enhancing Your Reading Experience
  - Adjustable Fonts and Text Sizes of Analysis Of Statically Indeterminate Structures
  - Highlighting and Note-Taking Analysis Of Statically Indeterminate Structures
  - Interactive Elements Analysis Of Statically Indeterminate Structures
- 8. Staying Engaged with Analysis Of Statically Indeterminate Structures
  - Joining Online Reading Communities
  - Participating in Virtual Book Clubs
  - Following Authors and Publishers Analysis Of Statically Indeterminate Structures
- 9. Balancing eBooks and Physical Books Analysis Of Statically Indeterminate Structures
  - Benefits of a Digital Library
  - Creating a Diverse Reading Collection Analysis Of Statically Indeterminate Structures
- 10. Overcoming Reading Challenges
  - Dealing with Digital Eye Strain
  - Minimizing Distractions
  - Managing Screen Time
- 11. Cultivating a Reading Routine Analysis Of Statically Indeterminate Structures
  - Setting Reading Goals Analysis Of Statically Indeterminate Structures
  - Carving Out Dedicated Reading Time
- 12. Sourcing Reliable Information of Analysis Of Statically Indeterminate Structures
  - Fact-Checking eBook Content of Analysis Of Statically Indeterminate Structures
  - Distinguishing Credible Sources
- 13. Promoting Lifelong Learning
  - Utilizing eBooks for Skill Development
  - Exploring Educational eBooks
- 14. Embracing eBook Trends

- Integration of Multimedia Elements
- Interactive and Gamified eBooks

### **Analysis Of Statically Indeterminate Structures Introduction**

In this digital age, the convenience of accessing information at our fingertips has become a necessity. Whether its research papers, eBooks, or user manuals, PDF files have become the preferred format for sharing and reading documents. However, the cost associated with purchasing PDF files can sometimes be a barrier for many individuals and organizations. Thankfully, there are numerous websites and platforms that allow users to download free PDF files legally. In this article, we will explore some of the best platforms to download free PDFs. One of the most popular platforms to download free PDF files is Project Gutenberg. This online library offers over 60,000 free eBooks that are in the public domain. From classic literature to historical documents, Project Gutenberg provides a wide range of PDF files that can be downloaded and enjoyed on various devices. The website is user-friendly and allows users to search for specific titles or browse through different categories. Another reliable platform for downloading Analysis Of Statically Indeterminate Structures free PDF files is Open Library. With its vast collection of over 1 million eBooks, Open Library has something for every reader. The website offers a seamless experience by providing options to borrow or download PDF files. Users simply need to create a free account to access this treasure trove of knowledge. Open Library also allows users to contribute by uploading and sharing their own PDF files, making it a collaborative platform for book enthusiasts. For those interested in academic resources, there are websites dedicated to providing free PDFs of research papers and scientific articles. One such website is Academia.edu, which allows researchers and scholars to share their work with a global audience. Users can download PDF files of research papers, theses, and dissertations covering a wide range of subjects. Academia.edu also provides a platform for discussions and networking within the academic community. When it comes to downloading Analysis Of Statically Indeterminate Structures free PDF files of magazines, brochures, and catalogs, Issuu is a popular choice. This digital publishing platform hosts a vast collection of publications from around the world. Users can search for specific titles or explore various categories and genres. Issuu offers a seamless reading experience with its user-friendly interface and allows users to download PDF files for offline reading. Apart from dedicated platforms, search engines also play a crucial role in finding free PDF files. Google, for instance, has an advanced search feature that allows users to filter results by file type. By specifying the file type as "PDF," users can find websites that offer free PDF downloads on a specific topic. While downloading Analysis Of Statically Indeterminate Structures free PDF files is convenient, its important to note that copyright laws must be respected. Always ensure that the PDF files you download are legally available for free. Many authors and publishers voluntarily provide free PDF versions of their work, but its essential to be cautious and verify the authenticity of the source before downloading

Analysis Of Statically Indeterminate Structures. In conclusion, the internet offers numerous platforms and websites that allow users to download free PDF files legally. Whether its classic literature, research papers, or magazines, there is something for everyone. The platforms mentioned in this article, such as Project Gutenberg, Open Library, Academia.edu, and Issuu, provide access to a vast collection of PDF files. However, users should always be cautious and verify the legality of the source before downloading Analysis Of Statically Indeterminate Structures any PDF files. With these platforms, the world of PDF downloads is just a click away.

### FAQs About Analysis Of Statically Indeterminate Structures Books

1. Where can I buy Analysis Of Statically Indeterminate Structures books? Bookstores: Physical bookstores like Barnes & Noble, Waterstones, and independent local stores. Online Retailers: Amazon, Book Depository, and various online bookstores offer a wide range of books in physical and digital formats.
2. What are the different book formats available? Hardcover: Sturdy and durable, usually more expensive. Paperback: Cheaper, lighter, and more portable than hardcovers. E-books: Digital books available for e-readers like Kindle or software like Apple Books, Kindle, and Google Play Books.
3. How do I choose a Analysis Of Statically Indeterminate Structures book to read? Genres: Consider the genre you enjoy (fiction, non-fiction, mystery, sci-fi, etc.). Recommendations: Ask friends, join book clubs, or explore online reviews and recommendations. Author: If you like a particular author, you might enjoy more of their work.
4. How do I take care of Analysis Of Statically Indeterminate Structures books? Storage: Keep them away from direct sunlight and in a dry environment. Handling: Avoid folding pages, use bookmarks, and handle them with clean hands. Cleaning: Gently dust the covers and pages occasionally.
5. Can I borrow books without buying them? Public Libraries: Local libraries offer a wide range of books for borrowing. Book Swaps: Community book exchanges or online platforms where people exchange books.
6. How can I track my reading progress or manage my book collection? Book Tracking Apps: Goodreads, LibraryThing, and Book Catalogue are popular apps for tracking your reading progress and managing book collections. Spreadsheets: You can create your own spreadsheet to track books read, ratings, and other details.
7. What are Analysis Of Statically Indeterminate Structures audiobooks, and where can I find them? Audiobooks: Audio recordings of books, perfect for listening while commuting or multitasking. Platforms: Audible, LibriVox, and Google Play Books offer a wide selection of audiobooks.

8. How do I support authors or the book industry? Buy Books: Purchase books from authors or independent bookstores. Reviews: Leave reviews on platforms like Goodreads or Amazon. Promotion: Share your favorite books on social media or recommend them to friends.
9. Are there book clubs or reading communities I can join? Local Clubs: Check for local book clubs in libraries or community centers. Online Communities: Platforms like Goodreads have virtual book clubs and discussion groups.
10. Can I read Analysis Of Statically Indeterminate Structures books for free? Public Domain Books: Many classic books are available for free as they're in the public domain. Free E-books: Some websites offer free e-books legally, like Project Gutenberg or Open Library.

### Find Analysis Of Statically Indeterminate Structures :

*decomposition institute of biologys studies in biology ; no. 74*

[decl/fal roman 3](#)

[deception detection an educators guide to the art of insight](#)

[debugging macintosh software with macsbug includes macsbug 6.2 on disk and](#)

[declare war](#)

[decision making in planning and teaching](#)

[decoupage on glass wood metal rocks shells wax soap plastic canvas ceramic](#)

**deer of the world their evolution behavior and ecology**

**deceiving the soul**

*decorating ideas under \$50*

*deems taylor a biography*

~~decoracion de cocinas~~

**dedo de estefania y otros cuentos serie amarilla**

~~decision making in pediatric nursing decision making in clinical nursing series~~

~~decorative gardening with bunny guinness exciting and fun projects to transform your garden~~

### Analysis Of Statically Indeterminate Structures :

Highest Duty: My Search for What Really Matters This book is mainly about Captain Sullenberger's life. It is a personal account of his life. The book obviously talks about flight 1549 and how it affected him. Highest Duty Highest Duty: My Search



for What Really Matters is a 2009 memoir written by Chesley Sullenberger and Jeffrey Zaslow (1958–2012) describing the events of US ... Highest Duty: My Search for What Really Matters This book is mainly about Captain Sullenberger's life. It is a personal account of his life. The book obviously talks about flight 1549 and how it affected him. Sully Quotes by Chesley B. Sullenberger 27 quotes from Sully: My Search for What Really Matters: 'We all have heard about ordinary people who find themselves in extraordinary situations. They a... Highest Duty: My Search for What Really Matters Highest Duty: My Search for What Really Matters by Chesley B. Sullenberger III, Jeffrey Zaslow, Paperback | Barnes & Noble® Offer ends 12/31. Quotes by Chesley B. Sullenberger (Author of Sully) It means looking beyond the safety of the familiar. Chesley B. Sullenberger, Highest Duty: My Search for What Really Matters · Like · likes: 1. Before ... Highest Duty: My Search for What Really Matters [Hardcover] The book, Highest Duty: My Search for What Really Matters [Bulk, Wholesale, Quantity] ISBN# 9780061924682 in Hardcover by Sullenberger, Chesley B.;Zaslow, ... Highest Duty Highest Duty. My Search for What Really Matters. By Captain Chesley B. Sullenberger, III, Jeffrey Zaslow,. On Sale: May 11, 2010. Highest Duty. Listen to an ... Sully: My Search for What Really Matters - Everand Highest Duty: My Search for What Really Matters. Ebook. Highest Duty: My Search for What Really Matters. byCaptain Chesley B. Sullenberger, III. Highest Duty: My Search for What Really Matters The book, Highest Duty: My Search for What Really Matters [Bulk, Wholesale, Quantity] ISBN# 9780061924699 in Paperback by Sullenberger, Chesley B.;Zaslow, ... Yamaha XCITY VP250 Owner's Manual [Page 39] Yamaha XCITY VP250 Manual Online: Periodic Maintenance And Adjustment. EAU17244 WARNING Turn off the engine when performing maintenance specified. Yamaha XCITY VP250 Owner's Manual View and Download Yamaha XCITY VP250 owner's manual online. XCITY VP250 scooter pdf manual download. User manual Yamaha XCITY250 (English - 78 pages) Manual. View the manual for the Yamaha XCITY250 here, for free. This manual comes under the category scooters and has been rated by 12 people with an ... Service Manual Yamaha Xcity 250 Pdf Page 1. Service Manual Yamaha Xcity. 250 Pdf. INTRODUCTION Service Manual. Yamaha Xcity 250 Pdf .pdf. Yamaha X-City 250 User's manuals (2) Add. Model, Year, Document, Language, Size, Pages. X-City 250, 2010, 2010 yamaha x city 250 vp250 user manual en.pdf, English, 3.73 MB, 82. X ... YAMAHA XCITY 250 2010 Service Manual (82 Pages) View, print and download for free: YAMAHA XCITY 250 2010 Service Manual, 82 Pages, PDF Size: 3.87 MB. Search in YAMAHA XCITY 250 2010 Service Manual online. Yamaha VP250 X-City Service Manual 2007 onwards ... Yamaha VP250 X-City. 100% High Resolution digital manual - not a scan. DIGITAL PDF MANUAL on CD. Yamaha X-MAX 250 Service Manual en | PDF | Screw Yamaha X-MAX 250 Service Manual En - Free ebook download as PDF File (.pdf), Text File (.txt) or view presentation slides online. Yamaha X-MAX 250 Service ... Yamaha Scooter Manuals All of the manual listed below are full factory service manuals with hundreds ... 2016 Yamaha VP250R / VP250RA XMax Scooter Series Repair and Maintenance Manual. Yamaha Xcity 250 free service manual - Turista 260 Sep 9, 2009 — Service manual xcity 250. Hi, Click here for the manual downloads. Hope this helps.Thanks! Please rate this free answer. Medical-Surgical

Nursing: Critical Thinking ... This book is the Single volume of Medical-Surgical Nursing: Critical Thinking in Client Care and is a clear presentation of patient care, with its ... Medical-Surgical Nursing: Critical Thinking in Client Care ... This book is the Single volume of Medical-Surgical Nursing: Critical Thinking in Client Care and is a clear presentation of patient care, ... Medical-Surgical Nursing: Critical Thinking in Client Care, ... Medical-Surgical Nursing: Critical Thinking in Client Care Vol. 1 4th Edition. Lemone. Published by Prentice Hall, USA (2007). ISBN 10: 0131713094 ISBN 13 ... Medical Surgical Nursing: Critical... book by Priscilla LeMone Medical-Surgical Nursing, Volume 2: Critical Thinking in Client Care. Priscilla LeMone, Karen M. Burke ; Study Guide for Medical-Surgical Nursing Care. Karen M. Medical-surgical nursing: critical thinking in client ... Edition: 4th ed. Physical Desc: 2 volumes (various pagings) : illustrations, portrait 1 DVD-ROM 4 3/4 in., Also available in a single vol. version. Status ... Medical surgical nursing, critical thinking in client ... This book is the Single volume of Medical-Surgical Nursing: Critical Thinking in Client Care and is a clear presentation of patient care, with its consistent ... Medical-Surgical Nursing Critical Thinking in Client Care, Single ... Publisher Description. This book is the Single volume of Medical-Surgical Nursing: Critical Thinking in Client Care and is a clear presentation of patient care, ... Medical-Surgical Nursing: Critical Thinking in Client Care This book is the Single volume of Medical-Surgical Critical Thinking in Client Care and is a clear presentation of patient care, with its consistent format ... Medical-Surgical Nursing: Critical Thinking in Client Care ... Medical-Surgical Nursing: Critical Thinking in Client Care, Single Volume (4th E ; Condition. Good ; Quantity. 3 sold. 3 available ; Item Number. 302334993460. Critical Thinking in Client Care, Single Volume (4th Edition) Priscilla LeMone is the author of 'Medical-Surgical Nursing: Critical Thinking in Client Care, Single Volume (4th Edition)', published 2007 under ISBN ...