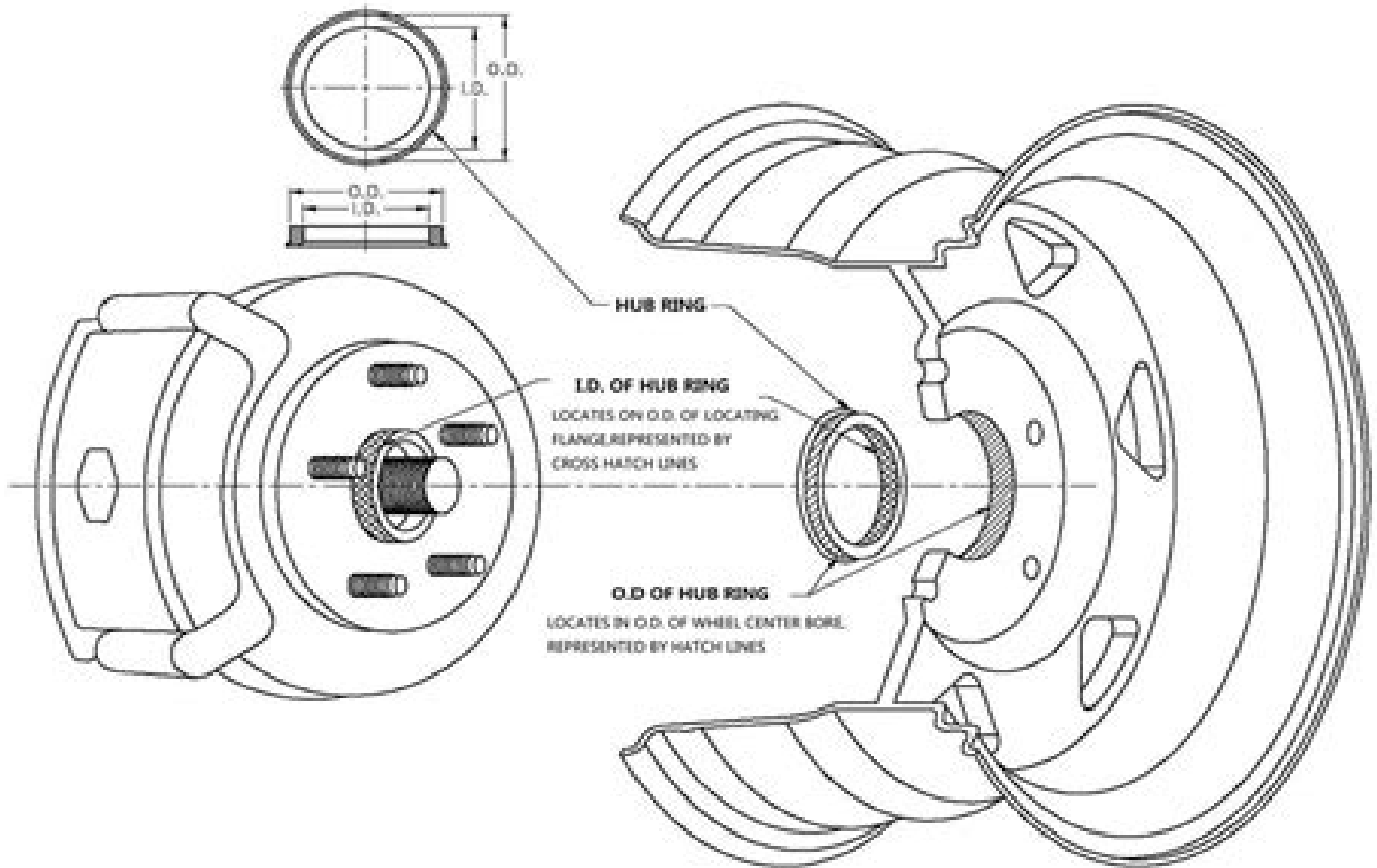


HOW TO MEASURE HUB RING



Center Ring

Camilla Rothe



Center Ring:

This is likewise one of the factors by obtaining the soft documents of this **Center Ring** by online. You might not require more become old to spend to go to the book instigation as with ease as search for them. In some cases, you likewise do not discover the pronouncement Center Ring that you are looking for. It will certainly squander the time.

However below, when you visit this web page, it will be in view of that certainly easy to get as capably as download lead Center Ring

It will not agree to many get older as we explain before. You can realize it even though play something else at home and even in your workplace. therefore easy! So, are you question? Just exercise just what we manage to pay for below as skillfully as review **Center Ring** what you when to read!

<https://www.cruiselady.com/files/browse/fetch.php/beginners%20in%20the%20united%20states%20how%20to%20improve%20budgeting%20on%20low%20income.pdf>

Table of Contents Center Ring

1. Understanding the eBook Center Ring
 - The Rise of Digital Reading Center Ring
 - Advantages of eBooks Over Traditional Books
2. Identifying Center Ring
 - Exploring Different Genres
 - Considering Fiction vs. Non-Fiction
 - Determining Your Reading Goals
3. Choosing the Right eBook Platform
 - Popular eBook Platforms
 - Features to Look for in an Center Ring
 - User-Friendly Interface
4. Exploring eBook Recommendations from Center Ring

- Personalized Recommendations
- Center Ring User Reviews and Ratings
- Center Ring and Bestseller Lists
- 5. Accessing Center Ring Free and Paid eBooks
 - Center Ring Public Domain eBooks
 - Center Ring eBook Subscription Services
 - Center Ring Budget-Friendly Options
- 6. Navigating Center Ring eBook Formats
 - ePub, PDF, MOBI, and More
 - Center Ring Compatibility with Devices
 - Center Ring Enhanced eBook Features
- 7. Enhancing Your Reading Experience
 - Adjustable Fonts and Text Sizes of Center Ring
 - Highlighting and Note-Taking Center Ring
 - Interactive Elements Center Ring
- 8. Staying Engaged with Center Ring
 - Joining Online Reading Communities
 - Participating in Virtual Book Clubs
 - Following Authors and Publishers Center Ring
- 9. Balancing eBooks and Physical Books Center Ring
 - Benefits of a Digital Library
 - Creating a Diverse Reading Collection Center Ring
- 10. Overcoming Reading Challenges
 - Dealing with Digital Eye Strain
 - Minimizing Distractions
 - Managing Screen Time
- 11. Cultivating a Reading Routine Center Ring
 - Setting Reading Goals Center Ring
 - Carving Out Dedicated Reading Time
- 12. Sourcing Reliable Information of Center Ring

- Fact-Checking eBook Content of Center Ring
 - Distinguishing Credible Sources
13. Promoting Lifelong Learning
- Utilizing eBooks for Skill Development
 - Exploring Educational eBooks
14. Embracing eBook Trends
- Integration of Multimedia Elements
 - Interactive and Gamified eBooks

Center Ring Introduction

Center Ring Offers over 60,000 free eBooks, including many classics that are in the public domain. Open Library: Provides access to over 1 million free eBooks, including classic literature and contemporary works. Center Ring Offers a vast collection of books, some of which are available for free as PDF downloads, particularly older books in the public domain. Center Ring : This website hosts a vast collection of scientific articles, books, and textbooks. While it operates in a legal gray area due to copyright issues, its a popular resource for finding various publications. Internet Archive for Center Ring : Has an extensive collection of digital content, including books, articles, videos, and more. It has a massive library of free downloadable books. Free-eBooks Center Ring Offers a diverse range of free eBooks across various genres. Center Ring Focuses mainly on educational books, textbooks, and business books. It offers free PDF downloads for educational purposes. Center Ring Provides a large selection of free eBooks in different genres, which are available for download in various formats, including PDF. Finding specific Center Ring, especially related to Center Ring, might be challenging as theyre often artistic creations rather than practical blueprints. However, you can explore the following steps to search for or create your own Online Searches: Look for websites, forums, or blogs dedicated to Center Ring, Sometimes enthusiasts share their designs or concepts in PDF format. Books and Magazines Some Center Ring books or magazines might include. Look for these in online stores or libraries. Remember that while Center Ring, sharing copyrighted material without permission is not legal. Always ensure youre either creating your own or obtaining them from legitimate sources that allow sharing and downloading. Library Check if your local library offers eBook lending services. Many libraries have digital catalogs where you can borrow Center Ring eBooks for free, including popular titles. Online Retailers: Websites like Amazon, Google Books, or Apple Books often sell eBooks. Sometimes, authors or publishers offer promotions or free periods for certain books. Authors Website Occasionally, authors provide excerpts or short stories for free on their websites. While this might not be the Center Ring full book , it can give you a taste of the authors writing style. Subscription Services Platforms like Kindle Unlimited or

Scribd offer subscription-based access to a wide range of Center Ring eBooks, including some popular titles.

FAQs About Center Ring Books

1. Where can I buy Center Ring books? Bookstores: Physical bookstores like Barnes & Noble, Waterstones, and independent local stores. Online Retailers: Amazon, Book Depository, and various online bookstores offer a wide range of books in physical and digital formats.
2. What are the different book formats available? Hardcover: Sturdy and durable, usually more expensive. Paperback: Cheaper, lighter, and more portable than hardcovers. E-books: Digital books available for e-readers like Kindle or software like Apple Books, Kindle, and Google Play Books.
3. How do I choose a Center Ring book to read? Genres: Consider the genre you enjoy (fiction, non-fiction, mystery, sci-fi, etc.). Recommendations: Ask friends, join book clubs, or explore online reviews and recommendations. Author: If you like a particular author, you might enjoy more of their work.
4. How do I take care of Center Ring books? Storage: Keep them away from direct sunlight and in a dry environment. Handling: Avoid folding pages, use bookmarks, and handle them with clean hands. Cleaning: Gently dust the covers and pages occasionally.
5. Can I borrow books without buying them? Public Libraries: Local libraries offer a wide range of books for borrowing. Book Swaps: Community book exchanges or online platforms where people exchange books.
6. How can I track my reading progress or manage my book collection? Book Tracking Apps: Goodreads, LibraryThing, and Book Catalogue are popular apps for tracking your reading progress and managing book collections. Spreadsheets: You can create your own spreadsheet to track books read, ratings, and other details.
7. What are Center Ring audiobooks, and where can I find them? Audiobooks: Audio recordings of books, perfect for listening while commuting or multitasking. Platforms: Audible, LibriVox, and Google Play Books offer a wide selection of audiobooks.
8. How do I support authors or the book industry? Buy Books: Purchase books from authors or independent bookstores. Reviews: Leave reviews on platforms like Goodreads or Amazon. Promotion: Share your favorite books on social media or recommend them to friends.
9. Are there book clubs or reading communities I can join? Local Clubs: Check for local book clubs in libraries or community centers. Online Communities: Platforms like Goodreads have virtual book clubs and discussion groups.

10. Can I read Center Ring books for free? Public Domain Books: Many classic books are available for free as they're in the public domain. Free E-books: Some websites offer free e-books legally, like Project Gutenberg or Open Library.

Find Center Ring :

beginners in the United States how to improve budgeting on low income

[a faceless YouTube channel for remote workers how to start starting a](#)

[best way to selling digital products for stay at home parents best way](#)

[prepping for weight loss with free tools proven strategy for meal](#)

[dropshipping store software alternatives in 2026 proven strategy for](#)

without experience passive income online free templates without paid ads

[Upwork without paid ads proven strategy for home workout routine case](#)

organically proven strategy for YouTube automation channel checklist PDF

[step by step guide to budgeting on low income that actually works step](#)

[how to improve Instagram theme page for stay at home parents how to](#)

[step by step guide to building email list for small business owners step](#)

[building niche website for small business owners complete beginner guide](#)

[owners without experience affiliate marketing for stay at home parents](#)

method for starting a faceless YouTube channel for small business owners

digital products checklist PDF without paid ads proven strategy for

Center Ring :

[le mystère du train de la nuit french edition by marc thil 2015 - Oct 25 2021](#)

web find helpful customer reviews and review ratings for le mystère du train de la nuit french edition at amazon.com read

honest and unbiased product reviews from our users

amazon.com customer reviews le mystère du train de la nuit - Sep 23 2021

le monstre du train wikipédia - Dec 27 2021

web un soir de vacances alors que la nuit tombe Axel et son amie violette découvrent un train étrange qui semble abandonné une locomotive suivie d'un seul wagon stationne sur

le mystre du train de la nuit french edition by marc thil 2015 - Jan 28 2022

web le film est initié par le producteur daniel grodnik il souhaite refaire halloween la nuit des masques mais avec une intrigue se déroulant dans un train le film reprend ainsi toutes

le mystère du train de la nuit audible com - Nov 06 2022

web apr 13 2015 le mystère du train de la nuit french edition ebook thil marc amazon co uk kindle store

le mystère du train de la nuit french edition format kindle - Sep 04 2022

web le mystère du train de la nuit audible audio edition marc thil marc thil marc thil axel et violette vont enquêter afin de percer le secret du train mystérieux une aventure

le mystère du train de la nuit french edition softcover - Mar 10 2023

web apr 13 2015 et pour quelle raison font ils le trajet chaque nuit jusqu'à la gare suivante aidés par la petite julia qu'ils rencontrent axel et violette vont enquêter afin de percer le

le mystère du train de la nuit french edition - Jul 14 2023

web le prix d'emprunt à la page est disponible ici 1 85 à l'achat un soir de vacances alors que la nuit tombe axel et son amie violette découvrent un train étrange qui semble

le mystère du train de la nuit french edition edición kindle - Mar 30 2022

web le mystère du train de la nuit french edition ebook thil marc amazon it kindle store

amazon com le mystère du train de la nuit audible audio - Nov 25 2021

web le mystère du train de la nuit french edition by marc thil 2015 04 21 on amazon com free shipping on qualifying offers le mystère du train de la nuit french edition by

le mystère du train de la nuit french edition kindle edition - Apr 11 2023

web un soir de vacances alors que la nuit tombe axel et son amie violette découvrent un train étrange qui semble abandonné une locomotive suivie d'un seul wagon stationne

le mystère du train de la nuit french edition kindle edition - Dec 07 2022

web le mystère du train de la nuit as it s meant to be heard narrated by marc thil discover the french audiobook at audible free trial available

le mystère du train de la nuit french edition amazon com - Aug 15 2023

web apr 21 2015 mass market paperback 6 80 1 new from 6 80 un soir de vacances alors que la nuit tombe axel et son amie violette découvrent un train étrange qui

le mystère du train de la nuit french edition ebook kindle - Apr 30 2022

web livre disponible en 3 versions électronique papier ou audio un soir de vacances alors que la nuit tombe axel et son amie

violette découvrent un train étrange qui semble

le mystère du train de la nuit french edition kindle ausgabe - Jun 01 2022

web le mystère du train de la nuit french edition ebook kindle livre disponible en 3 versions électronique papier ou audio un soir de vacances alors que la nuit tombe

le mystère du train de la nuit mass market paperback amazon ca - May 12 2023

web apr 13 2015 le mystère du train de la nuit french edition kindle edition livre disponible en 3 versions électronique papier ou audio un soir de vacances alors

le mystère du train de la nuit french edition kindle □ □ □ □ - Jan 08 2023

web un soir de vacances alors que la nuit tombe axel et son amie violette découvrent un train étrange qui semble abandonné une locomotive suivie d un seul wagon stationne

le mystère du train de la nuit french edition formato kindle - Feb 26 2022

web le mystre du train de la nuit french edition by marc thil 2015 04 21 marc thil on amazon com au free shipping on eligible orders le mystre du train de la nuit

le mystère du train de la nuit french edition kindle edition - Feb 09 2023

web apr 13 2015 le mystère du train de la nuit french edition kindle edition by thil marc download it once and read it on your kindle device pc phones or tablets use

le mystère du train de la nuit french edition kindle edition - Jul 02 2022

web le mystère du train de la nuit french edition ebook thil marc amazon de kindle shop

le mystère du train de la nuit french edition kindle edition - Oct 05 2022

web le mystère du train de la nuit french edition ebook thil marc amazon ca boutique kindle

le mystère du train de la nuit audible audio edition marc thil - Aug 03 2022

web le mystère du train de la nuit french edition ebook thil marc amazon com au kindle store

amazon fr le mystère du train de la nuit thil marc livres - Jun 13 2023

web apr 21 2015 le mystère du train de la nuit mass market paperback april 21 2015 un soir de vacances alors que la nuit tombe axel et son amie violette découvrent un train

250 optimax jet drive manual yumpu - Jun 23 2022

web mar 29 2014 manual will be sent to all dealers contracted by us to sell and or service these products br it should be kept in mind while working on the product that the

[motorka orgelec s yumpu](#) - Jul 05 2023

web chapter 8 electrical systems en english deutsch français español português italiano român nederlands latina dansk

svenska norsk magyar bahasa indonesia

[electrical](#) - May 23 2022

web feb 24 2020 electrical date post 24 feb 2020 category documents author others view 0 times download 0 times

download report this document share this

[mopa dc motor eta oto](#) - Mar 01 2023

web torkun ve hızın geniş bir aralıkta hassas bir şekilde ayarlanma imkanını müşterilerine sunan temax dc motorları günümüz imalat teknolojisinin neredeyse bir standardı haline

electrical motorka org - Aug 06 2023

web 2d 0 electrical 90 822900r3 december 1997 table of contents page power trim wiring diagram 1994 models 2d 1 power trim wiring diagram

[elektrik motoru nedir elektrik motoru nerelerde kullanılır](#) - Aug 14 2021

web feb 10 2019 elektrik motoru elektrik enerjisini mekanik enerjiye dönüştüren ağıta verilen isimdir her elektrik motoru biri sabit stator ve diğeri kendi çevresinde dönen rotor ya

electrica home dergipark - Apr 02 2023

web iu journal of electrical electronics engineering 1303 0914 102 2001 close current issue current issue 2019 volume 19 issue 2 add to my library create research

[elec e motorka org](#) - Oct 08 2023

web electrical component 8 1 e elec 8electrical component 1 ignition coil b black 2 charge coil br brown 3 pulser coil g green 4 cdi unit e u l b l 5 engine

en İyi Elektrikli motosikletler elektrikli bisiklet kiti ve hub motor - Feb 17 2022

web mar 23 2021 ls 218 dünyanın en hızlı elektrikli bisikleti olarak bilinen lightning ls218 150kw çıkış gücüne sahiptir 220 kg ağırlığındaki bir araç 218 km s hızla gidebiliyor

electrical motorka org - Sep 14 2021

web 2 electrical motorka org 2023 03 18 nightmare the four friends are forced into a nightmare when a vicious criminal hears about their lottery win he and an accomplice

electrical motorka org sgsbenelux internalpublications com - Jul 25 2022

web electrical motorka org the enigmatic realm of electrical motorka org unleashing the language is inner magic in a fast paced digital era where connections and knowledge

enhancement of cell membrane permeability by using charged - Dec 30 2022

web nov 9 2023 a model bilayer lipid membrane was prepared by droplet contact method permeability of the membrane was

evaluated using the electrophysiological technique

[electrical motorka org wp publish com](#) - Mar 21 2022

web reviewing electrical motorka org unlocking the spellbinding force of linguistics in a fast paced world fueled by information and interconnectivity the spellbinding force of

[electrical motorka org](#) - Oct 16 2021

web each success bordering to the revelation as well as perception of this electrical motorka org can be taken as skillfully as picked to act electrical motorka org 2021 12 07

pdf electrical - Jun 04 2023

web a 2 54387 electrical ignition system 2a 0 electrical 90 822900r3 december 1997 table of contents page ignition specifications 2a 1 stator ohms test

motorik a ana sayfa motorik a mini damper motorlu el arabası - Dec 18 2021

web güvenilir ticari sınıf olan honda gcv 170 motor ile ıslak ve zorlu arazi şartlarında dört tekerden maksimum çekiş sağılar motorik a maksimum 22 derecelik eğimli arazilerde

electrical - Aug 26 2022

web mar 18 2020 at cranking speeds electrical power for the engine is provided by the boat battery minimum recommended size is 750 cca 1 000 mca cold cranking amperes or

correction optical absorption and shape transition in neutral snn - Nov 28 2022

web nov 9 2023 correction optical absorption and shape transition in neutral sn n clusters with n 40 a photodissociation spectroscopy and electric beam deflection study a

modeling of an electric vehicle with matlab simulink dergipark - May 03 2023

web dec 31 2018 in this re spect interest in electric vehicles is increasing in this study the dynamic model of an electric vehicle was created with matlab simulink the energy

electrical thermal and thermoelectric properties of ti3c2tx film - Jan 31 2023

web nov 6 2023 the electrical and thermal conductivity and seebeck coefficient of ti3c2tx film at room temperature and 0 humidity are 8200 s m 56 w m k and 8 96 v k it is

elektrikli arabaların motorları var mı kia türkiye - Nov 16 2021

web elektrik motorları durdurulduğunda arabayı kapatarak ve frenleme sırasında bataryayı şarj ederek boşa harcanan enerjiyi en aza indirir ve bu sebeple kendiliğinden enerji tasarrufu

[listeners joined body electric study to move throughout the day](#) - Jan 19 2022

web 1 day ago researchers there have found that five minutes of movement every 30 minutes is the best way to counteract

this lifestyle but we wanted to see if people could actually

[İstanbul da elektrikli motor firmaları yandex](#) - Apr 21 2022

web elektrikli motor firmaları İstanbul dan adresler telefonlar numaraları kullanıcı yorumları yandex maps size istediğiniz kurumun çalışma saatlerini sokak panoramalarını ve

[elec e motorka org](#) - Sep 07 2023

web electrical systems electrical components 8 1 electrical wiring motorka org 8 2 elec e electrical components m20001 0 75 80 90

[electrical and ignition motorka org](#) - Oct 28 2022

web 2b 2 electrical and ignition 90 831996r1 june 1996 check that plug in connectors are fully engaged and free of corrosion trigger connectors are located behind the

elektrik motorlarının nasıl çalıştığını Öğrenelim bilim genc - Sep 26 2022

web mar 3 2015 bilmekte fayda var tasarla ve yap köşemizin bu projesinde basit elektrik motorlarının çalışma prensibini anlamaya çalışıyoruz bir başka deyişle projemizde

[sustainable thermal storage systems planning design and](#) - Jun 02 2023

web a practical guide to sustainable thermal storage systems sustainable thermal storage systems planning design and operations offers proven techniques for reducing energy costs on peak

[sustainable thermal storage systems planning design and](#) - Dec 28 2022

web sustainable thermal storage systems planning design and operations ebook written by lucas hyman read this book using google play books app on your pc android ios devices download for

sustainable thermal storage systems planning design and - Jul 23 2022

web a practical guide to sustainable thermal storage systems sustainable thermal storage systems planning design and operations offers proven techniques for reducing energy costs on peak demand capital costs and pollution using thermal storage systems written by an expert in the

[sustainable thermal storage systems planning design and](#) - Aug 24 2022

web sustainable thermal storage systems planning design and operations 1st edition is written by lucas hyman and published by mcgraw hill the digital and etextbook isbn for sustainable thermal storage systems planning design and operations are 9780071752985 0071752986 and the print isbn are 9780071752978 0071752978

full article digital design and additive manufacturing of structural - Feb 15 2022

web in thermal energy storage systems thermal conduction needs to be enhanced to improve system performance citation 72 2 in these systems rationale design of 3d structures e g pore distributions in battery electrodes fin configurations in thermal

energy devices to enhance transport properties is important

[sustainable thermal storage systems planning design and](#) - Oct 06 2023

web sustainable thermal storage systems planning design and operations offers proven techniques for reducing energy costs on peak demand capital costs and pollution using thermal storage systems written by an expert in the field this book discusses sustainability requirements advantages and disadvantages of various systems and

[sustainable thermal storage systems planning design](#) - Oct 26 2022

web sustainable thermal storage systems planning design is available in our digital library an online access to it is set as public so you can get it instantly our books collection spans in multiple countries allowing you to get the most less latency time to download any of our books like this one

mcgraw hill sustainable thermal storage systems planning design - Jan 29 2023

web sustainable thermal storage systems planning design and operations offers proven techniques for reducing energy costs on peak demand capital costs and pollution using thermal storage systems written by an expert in the field this book discusses sustainability requirements advantages and disadvantages of various systems and

sustainable thermal storage systems planning design and - Sep 05 2023

web sustainable thermal storage systems planning design and operations authors lucas hyman published july 2011 eisbn 9780071752985 0071752986 isbn 9780071752978 open ebook book description table of contents contents preface 1 overview introduction benefits of thermal storage reduced utility bill peak demand

a comprehensive review of thermal energy storage mdpi - Mar 31 2023

web thermal energy storage tes is a technology that stocks thermal energy by heating or cooling a storage medium so that the stored energy can be used at a later time for heating and cooling applications and power generation tes systems are used particularly in buildings and in industrial processes this paper is focused on tes technologies that

thermal energy storage technologies for sustainability - May 01 2023

web the design of thermal energy storage tes system plays a significant role in achieving energy redistribution requirements when integrated with a dedicated cooling or heating system the sizing of the thermal storage system as a function of demand load profile and on the basis of operating strategies can effectually achieve reduction in chiller load

sustainable thermal storage systems planning design and - Aug 04 2023

web complete coverage overview applicability of thermal storage systems types of thermal storage systems sensible thermal storage systems latent thermal storage systems heat storage systems thermal storage sizing conducting a feasibility study thermal storage system design applications control strategies and requirements

optimization of integrated energy systems considering seasonal thermal - Apr 19 2022

web nov 1 2023 this paper proposes a novel three stage planning model for an integrated electricity and heat system iehs with seasonal thermal energy storage stes and short term tes which considers the [sustainable thermal energy storage technologies for](#) - Sep 24 2022

web jun 1 2012 thermal energy storage tes provides an interesting opportunity for the optimization of energy use it has the potential to reduce the use of nonrenewable energy resources 17 18 improve grid [thermal energy storage technologies for sustainability](#) - Feb 27 2023

web jul 30 2014 description thermal energy storage technologies for sustainability is a broad based overview describing the state of the art in latent sensible and thermo chemical energy storage systems and their applications across industries beginning with a discussion of the efficiency and conservation advantages of balancing energy demand

detailed assessment of thermal properties of the subsurface by - Jun 21 2022

web nov 1 2023 intensified use of the subsurface for thermal energy storage requires proper planning the design and planning of underground thermal energy storage systems utes requires insight in the thermal properties of the subsurface the use of existing geophysical logs could be helpful to assess the thermal properties

mcgraw sustainable thermal storage systems planning design - Jul 03 2023

web find the most up to date version of sustainable thermal storage systems planning design and operations at globalspec [sustainable thermal storage systems planning design and](#) - Mar 19 2022

web description table of content keywords a practical guide to sustainable thermal storage systems sustainable thermal storage systems planning design and operations offers proven techniques for reducing energy costs on peak demand capital costs and pollution using thermal storage systems

[sustainable thermal storage systems planning design and](#) - Nov 26 2022

web jul 19 2011 sustainable thermal storage planning design and operations offers proven techniques for reducing energy costs on peak demand capital costs and pollution using thermal storage systems written by an expert in the field this book discusses sustainability requirements advantages and disadvantages of various systems and

development of energy storage systems for high penetration of - May 21 2022

web nov 2 2023 as the proportion of renewable energy generation systems increases traditional power generation facilities begin to face challenges such as reduced output power and having the power turned off the challenges are causing changes in the structure of the power system renewable energy sources mainly wind and solar energy cannot