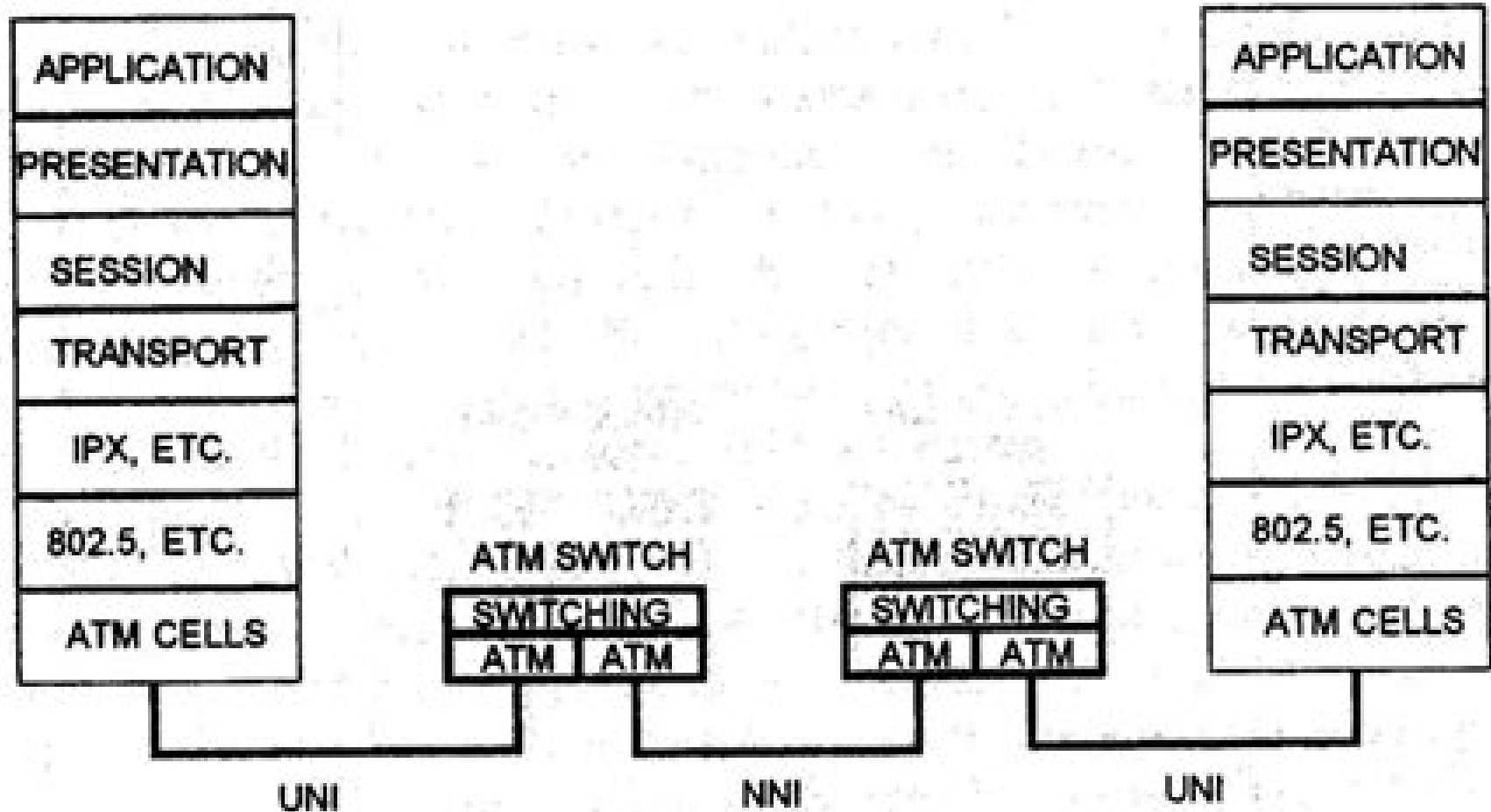


ATM Network



Atm Network Performance

Schneiderman Leonid



Atm Network Performance:

ATM Network Performance George Kesidis, 2012-12-06 ATM Network Performance Second Edition describes approaches to computer and communication network management at the ATM layer of the protocol hierarchy. The focus is on satisfying quality of service requirements for individual connections. Results in both areas of bandwidth scheduling and traffic control are explained. Recent results in end-to-end performance provisioning for video connections and statistical multiplexing are also described. All of the material has been updated where appropriate and new references added and expanded. Timely updates. Entirely new chapter on ATM switches with an emphasis on scalable to terabit switching. New material on round robin scheduling, jitter control, QoS paradigms as well as special treatment of fluid modeling and variable bit rate channel capacity. Expanded coverage of CBR channels, IP over ATM and guaranteed rate performance. Substantial increase in end-of-chapter exercises. Solutions for selected exercises in separate appendix. Complete solutions for all exercises also available from author.

Performance Modelling and Evaluation of ATM Networks Demetres D. Kouvatsos, 2013-04-17 Asynchronous Transfer Mode (ATM) networks are widely considered to be the new generation of high speed communication systems both for broadband public information highways and for local and wide area private networks. ATM is designed to integrate existing and future voice, audio, image and data services. Moreover, ATM aims to simplify the complexity of switching and buffer management to optimise intermediate node processing and buffering and to limit transmission delays. However, to support such diverse services on one integrated communication network, it is most essential through careful engineering to achieve a fruitful balance amongst the conflicting requirements of different quality of service constraints, ensuring that one service does not have adverse implications on another. Over recent years, there has been a great deal of progress in research and development of ATM technology, but there are still many interesting and important problems to be resolved, such as traffic characterisation and control, routing and optimisation, ATM switching techniques and the provision of quality of service. This book presents thirty-two research papers, both from industry and academia, reflecting latest original achievements in the theory and practice of performance modelling of ATM networks worldwide. These papers were selected, subject to peer review, from those submitted as extended and revised versions out of fifty-nine shorter papers presented at the Second IFIP Workshop on Performance Modelling and Evaluation of ATM Networks, July 4-7, 1994, Bradford University. At least three referees from the scientific committee and externally were involved in the selection of each paper.

Network Management and Control A. Kershenbaum, Manu Malek, M. Wall, 2013-11-11 Like the 120-volt standard for electricity, the appearance of standards in network management heralds new opportunities for creativity and achievement. As one example within the framework of these evolving standards, consider a system of local area networks connecting computing equipment from different vendors. A bridge goes up because of a transient caused by a repeater failure. The result is a massive disconnection of virtual circuits. What is the role of the manager and the network management system in

solving the problem How does the vendor implement the solution How does the user use it What measurements should be made How should they be displayed How much of the diagnosis and correction should be automated How does the solution change with different hardware and software In the IEEE Communications Magazine I recently reported a timely illustration in the area of problems in fault management At the workshop hotel I was waiting for a room assignment at the reception desk when my attendant left the counter for a moment Upon returning he took one look at his screen and whined an accusatory question at everyone in sight Who logged out my terminal Who indeed It wasn't any of us It was the system

Network World ,1993-01-11 For more than 20 years Network World has been the premier provider of information intelligence and insight for network and IT executives responsible for the digital nervous systems of large organizations Readers are responsible for designing implementing and managing the voice data and video systems their companies use to support everything from business critical applications to employee collaboration and electronic commerce Proceedings of the Second International Network Conference (INC2000) Steven Furnell,2012-06-27 This book contains the proceedings of the Second International Network Conference INC 2000 which was held in Plymouth UK in July 2000 A total of 41 papers were accepted for inclusion in the conference and they are presented here in 6 themed chapters The main topics of the book include Internet and WWW Technologies and Applications Network Technologies and Management Multimedia Integration Distributed Technologies Security and Privacy and Social and Cultural Issues The papers address state of the art research and applications of network technology arising from both the academic and industrial domains The book should consequently be of interest to network practitioners researchers academics and technical managers involved in the design development and use of network systems **European optical communications and networks** ,1995 *Network World* ,1997-10-06

For more than 20 years Network World has been the premier provider of information intelligence and insight for network and IT executives responsible for the digital nervous systems of large organizations Readers are responsible for designing implementing and managing the voice data and video systems their companies use to support everything from business critical applications to employee collaboration and electronic commerce **Network World** ,1997-10-13 For more than 20 years Network World has been the premier provider of information intelligence and insight for network and IT executives responsible for the digital nervous systems of large organizations Readers are responsible for designing implementing and managing the voice data and video systems their companies use to support everything from business critical applications to employee collaboration and electronic commerce Performance Evaluation and Applications of ATM Networks Demetres D. Kouvatsos,2006-04-18 Information Highways are widely considered as the next generation of high speed communication systems These highways will be based on emerging Broadband Integrated Services Digital Networks B-ISDN which at least in principle are envisioned to support not only all the kinds of networking applications known today but also future applications which are not as yet understood fully or even anticipated Thus B-ISDNs release networking processes from the limitations

which the communications medium has imposed historically The operational generality stems from the versatility of Asynchronous Transfer Mode ATM which is the transfer mode adopted by ITU T for broadband public ISDN as well as wide area private ISDN A transfer mode which provides the transmission multiplexing and switching core that lies at the foundations of a communication network ATM is designed to integrate existing and future voice audio image and data services Moreover ATM aims to minimise the complexity of switching and buffer management to optimise intermediate node processing and buffering and to bound transmission delays These design objectives are met at high transmission speeds by keeping the basic unit of ATM transmission the ATM cell short and of fixed length *Network World* ,1995-10-02 For more than 20 years Network World has been the premier provider of information intelligence and insight for network and IT executives responsible for the digital nervous systems of large organizations Readers are responsible for designing implementing and managing the voice data and video systems their companies use to support everything from business critical applications to employee collaboration and electronic commerce

Telecommunication Access Networks Wolter Lemstra,1991 Everybody wants more from telecommunications Service and equipment providers are queuing to meet these needs This book is a result of ISSLS 91 a forum for reconciling supply and demand The overall theme of the conference was Moving to the User with sub themes of Communication in Business Secure and Dependable Services Operations and Management and Access Architectures and Technologies ISSLS has for many years been dominated by the impact of network digitalization as it spreads into the local access network particularly in the form of ISDN The technology in this area has been maturing and the new challenge is to identify the ways digitalization can be exploited both by the users for new applications and by the network provider for making networks more manageable resilient flexible and cost effective Radio coupled with digital processing and control is now a major force giving the opportunity for wireless operation on scales varying between the cordless telephone and the rapid provision of services in rural areas For many purposes the major challenge of radio lies in living with its limited bandwidth

High Performance Simulation for ATM Network Development John G. Cleary,Murray W. Pearson,Ian Graham,Brian Unger,2008 Techniques for measuring and modeling ATM traffic are reviewed The requirements for cell level ATM network modeling and simulation are the outlined followed by a description of an ATM traffic and network ATM TN simulator This ATM TN simulator is built upon parallel simulation mechanisms to achieve the high performance needed to execute the huge number of cell events required for a realistic network scenario Results for several simulation experiments are reported using this high performance simulator including scenarios for the Wnet and OPERA networks Finally a preliminary evaluation of the application of high performance simulation to the design and analysis of ATM network performance is provided Page i

Estimation of ATM Network Performance Parameters on Cell and Burst Levels Schneiderman Leonid,1996 *Information Highways for a Smaller World and Better Living* Seon Jong Chung,1996 This work discusses the issues among people creating computer communication technology the people

using computer communication the people impacted by it and the regulators responsible for balancing the interest of these multiple groups

Asynchronous Transfer Mode Networks Yannis Viniotis, Raif O. Onvural, 2012-12-06

Broadband Integrated Services Digital Network B ISDN is conceived as an all purpose digital network supporting interactive and distributive services bursty and continuous traffic connection oriented and connectionless services all in the same network

The concepts of ISDN in general and B ISDN in particular have been evolving since CCIIT adopted the rrst set of ISDN recommendations in 1984 Thirteen recommendations outlining the fundamental principles and initial specifications for B ISDN were approved in 1990 with Asynchronous Transfer Mode ATM being the transfer mode of choice for B ISDN It seems fair to say that B ISDN concepts have changed the face of networking The expertise we have developed for a century on telephone systems and over a number of decades on packet networks is proving to be insufficient to deploy and operate the envisioned B ISDNs Much more needs to be understood and satisfactorily addressed before ATM networks can become a reality

Tricomm 93 is dedicated to ATM networks The technical program consists of invited papers addressing a large subset of issues of practical importance in the deployment of ATM networks This is the sixth in a series of Research Triangle Conferences on Computer Communications which emerged through the efforts of the local chapter of IEEE Communications Society

Technical Program, Conference Record, 1998 **Proceedings**, 1997 **ATM Networks** Demetres D. Kouvatsos, 2016-01-09 This book presents a selection of expanded research papers from the Fourth IFIP Workshop on the Performance Modelling and Evaluation of ATM Networks It provides a fundamental source of reference on the latest research techniques and tools concerning ATM networks worldwide A number of important topics are featured including traffic modelling and characterisation models of ATM switches network management high speed LANs and MANs and routing and optimization

Conference Record, 1999 *Signal*, 1993

Fuel your quest for knowledge with Authored by is thought-provoking masterpiece, Explore **Atm Network Performance** . This educational ebook, conveniently sized in PDF (*), is a gateway to personal growth and intellectual stimulation. Immerse yourself in the enriching content curated to cater to every eager mind. Download now and embark on a learning journey that promises to expand your horizons. .

https://www.cruiselady.com/files/browse/Download_PDFS/Debating_Gender_In_Early_Modern_England_1500_1700.pdf

Table of Contents Atm Network Performance

1. Understanding the eBook Atm Network Performance
 - The Rise of Digital Reading Atm Network Performance
 - Advantages of eBooks Over Traditional Books
2. Identifying Atm Network Performance
 - Exploring Different Genres
 - Considering Fiction vs. Non-Fiction
 - Determining Your Reading Goals
3. Choosing the Right eBook Platform
 - Popular eBook Platforms
 - Features to Look for in an Atm Network Performance
 - User-Friendly Interface
4. Exploring eBook Recommendations from Atm Network Performance
 - Personalized Recommendations
 - Atm Network Performance User Reviews and Ratings
 - Atm Network Performance and Bestseller Lists
5. Accessing Atm Network Performance Free and Paid eBooks
 - Atm Network Performance Public Domain eBooks
 - Atm Network Performance eBook Subscription Services
 - Atm Network Performance Budget-Friendly Options

6. Navigating Atm Network Performance eBook Formats
 - ePub, PDF, MOBI, and More
 - Atm Network Performance Compatibility with Devices
 - Atm Network Performance Enhanced eBook Features
7. Enhancing Your Reading Experience
 - Adjustable Fonts and Text Sizes of Atm Network Performance
 - Highlighting and Note-Taking Atm Network Performance
 - Interactive Elements Atm Network Performance
8. Staying Engaged with Atm Network Performance
 - Joining Online Reading Communities
 - Participating in Virtual Book Clubs
 - Following Authors and Publishers Atm Network Performance
9. Balancing eBooks and Physical Books Atm Network Performance
 - Benefits of a Digital Library
 - Creating a Diverse Reading Collection Atm Network Performance
10. Overcoming Reading Challenges
 - Dealing with Digital Eye Strain
 - Minimizing Distractions
 - Managing Screen Time
11. Cultivating a Reading Routine Atm Network Performance
 - Setting Reading Goals Atm Network Performance
 - Carving Out Dedicated Reading Time
12. Sourcing Reliable Information of Atm Network Performance
 - Fact-Checking eBook Content of Atm Network Performance
 - Distinguishing Credible Sources
13. Promoting Lifelong Learning
 - Utilizing eBooks for Skill Development
 - Exploring Educational eBooks
14. Embracing eBook Trends
 - Integration of Multimedia Elements

- Interactive and Gamified eBooks

Atm Network Performance Introduction

In today's digital age, the availability of Atm Network Performance books and manuals for download has revolutionized the way we access information. Gone are the days of physically flipping through pages and carrying heavy textbooks or manuals. With just a few clicks, we can now access a wealth of knowledge from the comfort of our own homes or on the go. This article will explore the advantages of Atm Network Performance books and manuals for download, along with some popular platforms that offer these resources. One of the significant advantages of Atm Network Performance books and manuals for download is the cost-saving aspect. Traditional books and manuals can be costly, especially if you need to purchase several of them for educational or professional purposes. By accessing Atm Network Performance versions, you eliminate the need to spend money on physical copies. This not only saves you money but also reduces the environmental impact associated with book production and transportation. Furthermore, Atm Network Performance books and manuals for download are incredibly convenient. With just a computer or smartphone and an internet connection, you can access a vast library of resources on any subject imaginable. Whether you're a student looking for textbooks, a professional seeking industry-specific manuals, or someone interested in self-improvement, these digital resources provide an efficient and accessible means of acquiring knowledge. Moreover, PDF books and manuals offer a range of benefits compared to other digital formats. PDF files are designed to retain their formatting regardless of the device used to open them. This ensures that the content appears exactly as intended by the author, with no loss of formatting or missing graphics. Additionally, PDF files can be easily annotated, bookmarked, and searched for specific terms, making them highly practical for studying or referencing. When it comes to accessing Atm Network Performance books and manuals, several platforms offer an extensive collection of resources. One such platform is Project Gutenberg, a nonprofit organization that provides over 60,000 free eBooks. These books are primarily in the public domain, meaning they can be freely distributed and downloaded. Project Gutenberg offers a wide range of classic literature, making it an excellent resource for literature enthusiasts. Another popular platform for Atm Network Performance books and manuals is Open Library. Open Library is an initiative of the Internet Archive, a non-profit organization dedicated to digitizing cultural artifacts and making them accessible to the public. Open Library hosts millions of books, including both public domain works and contemporary titles. It also allows users to borrow digital copies of certain books for a limited period, similar to a library lending system. Additionally, many universities and educational institutions have their own digital libraries that provide free access to PDF books and manuals. These libraries often offer academic texts, research papers, and technical manuals, making them invaluable resources for students and researchers. Some notable examples include MIT OpenCourseWare, which offers free access to course materials from the Massachusetts Institute of

Technology, and the Digital Public Library of America, which provides a vast collection of digitized books and historical documents. In conclusion, Atm Network Performance books and manuals for download have transformed the way we access information. They provide a cost-effective and convenient means of acquiring knowledge, offering the ability to access a vast library of resources at our fingertips. With platforms like Project Gutenberg, Open Library, and various digital libraries offered by educational institutions, we have access to an ever-expanding collection of books and manuals. Whether for educational, professional, or personal purposes, these digital resources serve as valuable tools for continuous learning and self-improvement. So why not take advantage of the vast world of Atm Network Performance books and manuals for download and embark on your journey of knowledge?

FAQs About Atm Network Performance Books

How do I know which eBook platform is the best for me? Finding the best eBook platform depends on your reading preferences and device compatibility. Research different platforms, read user reviews, and explore their features before making a choice. Are free eBooks of good quality? Yes, many reputable platforms offer high-quality free eBooks, including classics and public domain works. However, make sure to verify the source to ensure the eBook credibility. Can I read eBooks without an eReader? Absolutely! Most eBook platforms offer web-based readers or mobile apps that allow you to read eBooks on your computer, tablet, or smartphone. How do I avoid digital eye strain while reading eBooks? To prevent digital eye strain, take regular breaks, adjust the font size and background color, and ensure proper lighting while reading eBooks. What the advantage of interactive eBooks? Interactive eBooks incorporate multimedia elements, quizzes, and activities, enhancing the reader engagement and providing a more immersive learning experience. Atm Network Performance is one of the best book in our library for free trial. We provide copy of Atm Network Performance in digital format, so the resources that you find are reliable. There are also many Ebooks of related with Atm Network Performance. Where to download Atm Network Performance online for free? Are you looking for Atm Network Performance PDF? This is definitely going to save you time and cash in something you should think about.

Find Atm Network Performance :

debating gender in early modern england 1500-1700

deck and patio planner

decorating with stitches

decision criteria for new product acceptance and success the role of trade buyers

[deep rivers texas pan american series](#)

[decorateurs des annees 50](#)

deconstruction acres paperback by brown tim w

[decoy carving techniques for the intermediate carver](#)

[decline of the russian peasant household](#)

[dedo de baldomero el](#)

[decision processes in visual perception](#)

[decision making with multiple objectives](#)

[debussys iberia](#)

decisive judo a stepbystep guide

[deathstalker coda](#)

Atm Network Performance :

Kawasaki Mule 3010 Trans 4x4 Utility Vehicle Wiring ... Kawasaki Mule 3010 Trans 4x4 Utility Vehicle Wiring Diagram Pdf Manual ... INTRODUCTION Kawasaki Mule 3010 Trans 4x4 Utility Vehicle Wiring Diagram Pdf Manual Pdf ... Mule 3010 4X4 PARTS DIAGRAM Mule 3010 4X4 PARTS DIAGRAM. Chassis Electrical Equipment. © 2023 Kawasaki Motors ... WIRE-LEAD,BATTERY(+) (Ref # 26011). 26011-1780. 1. WIRE-LEAD,BATTERY(-) (Ref ... Kawasaki MULE 3010 TRANS 4x4 Service Manual MULE 3010 TRANS 4 × 4 Utility Vehicle Service Manual Quick Reference Guide This quick reference guide will assist you in locating a desired topic or ... Mule manual 1 This Owner's. Manual contains those maintenance recommendations for your vehicle. Those items identified by the Periodic Maintenance. Chart are necessary to ... 2005-2008 KAWASAKI MULE 3010 TRANS 4x4 Repair ... The KAWASAKI MULE 3010 TRANS 4x4 Service Manual also includes a Wiring Diagram Schematic. The Repair Manual includes Troubleshooting Guides. This contains ... [DIAGRAM] 2005 Kawasaki Mule 3010 Wiring Diagram Wiring Diagram For Kawasaki Mule 3010 MULE Utility Vehicle pdf manual download. May 10, 2021 - I am having a wiring problem on my KAF620-A2 Mule 2510 4X4. Get Shipping Quotes Opens in a new tab ... Wiring Diagram For Kawasaki Mule 3010 Document about Kawasaki Mule Trans 4x4 Utility Vehicle Wiring Diagram Manual is available on print and digital edition. They are reliable ... I have a mule 3010, and when turn the ignition ... - Pinterest Jan 13, 2010 — Chevrolet Camaro 1982-1992 Wiring Diagrams Repair Guide. Find out how to access AutoZone's Wiring Diagrams Repair Guide for Chevrolet Camaro ... The 7 Secrets of World Class Athletes by Yellin, Steven Great book about controlling your brain thought process to become a great athlete in any sport including golf. The only issue I had with the book is it ...

The 7 Secrets of World Class Athletes by Steven Yellin ... This is a brilliant book. It ties together much of what I've surmised about superior performance and what contributes to it. In addition, the book also sheds ... The 7 Secrets of World Class Athletes The 7 Secrets of World Class Athletes takes you into the minds of super-star athletes when they are on top of their game. The fascinating concept is that ... The 7 Secrets of World Class Athletes The 7 Secrets of World Class Athletes takes you into the minds of super-star athletes when they are on top of their game. The fascinating concept is that. The 7 Secrets of World Class Athletes - Yellin, Steven The 7 Secrets of World Class Athletes takes you into the minds of super-star athletes when they are on top of their game. The fascinating concept is that ... The 7 Secrets of World Class Athletes The 7 Secrets of World Class Athletes takes you into the minds of super-star athletes when they are on top of their game. The fascinating concept is that ... The 7 Secrets of World Class Athletes, Biancalana, Budd Author:Biancalana, Buddy. The 7 Secrets of World Class Athletes. Book Binding:Paperback / softback. Book Condition:GOOD. Year Published:0630. The 7 secrets of world class athletes : Yellin, Steven, author Apr 14, 2021 — 192 pages ; 21 cm. First secret: The fluid motion factor -- Second secret: Sports as a series of gaps -- Third secret: The quality of the ... The 7 Secrets of World Class Athletes Synopsis: The 7 Secrets of World Class Athletes takes you into the minds of super-star athletes when they are on top of their game. The fascinating concept is ... The 7 Secrets of World Class Athletes by Buddy Biancalana The 7 Secrets of World Class Athletes by Buddy Biancalana: New ; Item Number. 363415436080 ; Publication Date. 2010-06-30 ; Pages. 198 ; Accurate description. 4.9. MBTI For Team Building Activity Templates - TeamDynamics Learn how to use MBTI for team building with a free set of workshop templates to help you hold an impactful MBTI team dynamics and MBTI team building activity. Step-by-Step Guide on How To Use Myers-Briggs in Team ... Step 3: Apply knowledge in team building activities. · Play Ups & Downs Ups and Downs is an activity designed to learn more about teammates' motivators. · Have an ... Team Building with Myers-Briggs—Building a Home Out of ... One of my favorite activities is demonstrating this to naysayers who equate MBTI to astrology, so here's a simple team building activity you can use when ... Ideas for group/team building activities using MBTI Hi all,. I want to introduce my group of friends to the MBTI and they have all agreed to participate in some sort of activity altogether. MBTI Team Development Activities Feb 24, 2023 — 36 HR Training & Consultancy uses a variety of fun team building and team development learning activities as well as interesting games to help ... Free type exercises for practitioners - Myers-Briggs Apr 10, 2015 — A wide range of exercises for use in MBTI® based training sessions. These resources equip MBTI practitioners with group-based activities that ... Team Building Activities | CPP ... (MBTI) assessment and conduct a team building workshop around their assessment results. ... Specific reports such as the MBTI® Comparison Report: Work Styles ... MBTI Team Development Activity Jul 29, 2020 — MBTI team development activity to try in your virtual workshops. Designed to help groups increase self-awareness. Team building activities with MBTI types - marc-prager.co.uk Scavenger hunts: In this team building activity, participants work in teams to find and collect items or complete

tasks on a list. This exercise will encourage ...