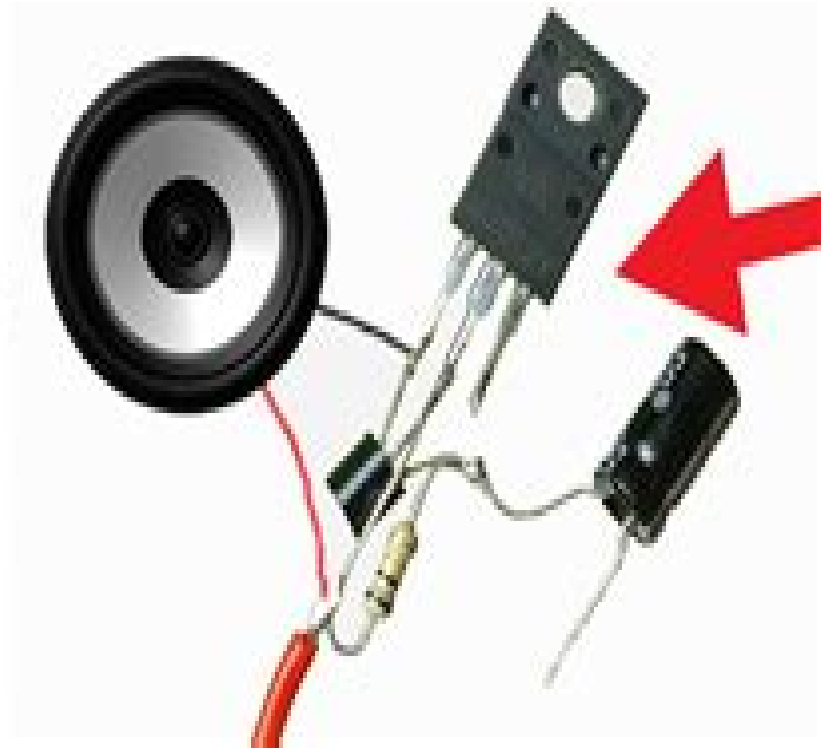
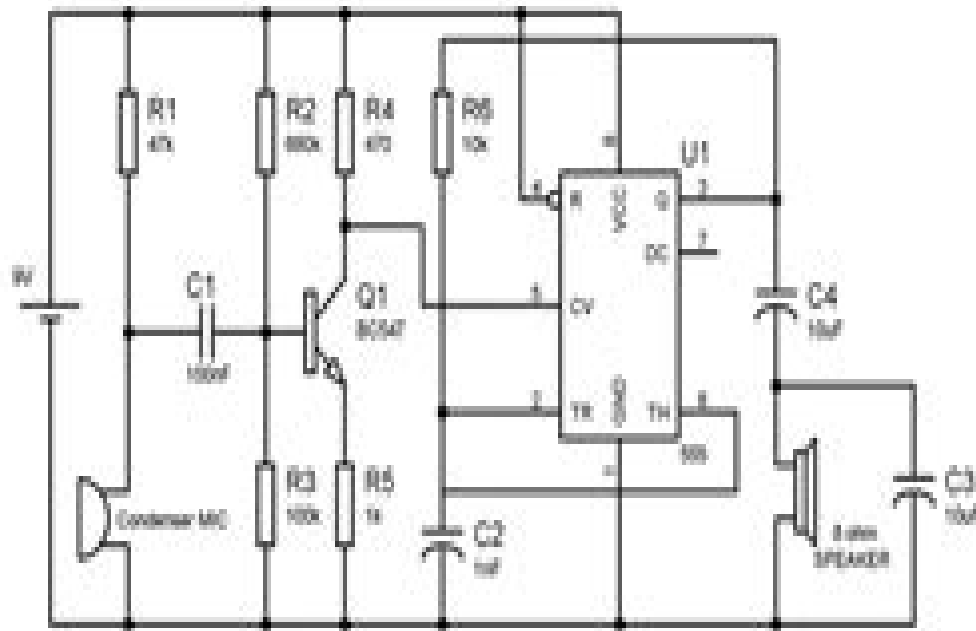


Simple Audio Amplifier



Audio Ic Projects

LL Leslie



Audio Ic Projects:

Recognizing the artifice ways to get this book **Audio Ic Projects** is additionally useful. You have remained in right site to begin getting this info. acquire the Audio Ic Projects associate that we have enough money here and check out the link.

You could purchase guide Audio Ic Projects or get it as soon as feasible. You could speedily download this Audio Ic Projects after getting deal. So, bearing in mind you require the ebook swiftly, you can straight acquire it. Its so extremely easy and so fats, isnt it? You have to favor to in this ventilate

<https://www.cruiselady.com/data/detail/HomePages/Biology%20Made%20Simple.pdf>

Table of Contents Audio Ic Projects

1. Understanding the eBook Audio Ic Projects
 - The Rise of Digital Reading Audio Ic Projects
 - Advantages of eBooks Over Traditional Books
2. Identifying Audio Ic Projects
 - Exploring Different Genres
 - Considering Fiction vs. Non-Fiction
 - Determining Your Reading Goals
3. Choosing the Right eBook Platform
 - Popular eBook Platforms
 - Features to Look for in an Audio Ic Projects
 - User-Friendly Interface
4. Exploring eBook Recommendations from Audio Ic Projects
 - Personalized Recommendations
 - Audio Ic Projects User Reviews and Ratings
 - Audio Ic Projects and Bestseller Lists
5. Accessing Audio Ic Projects Free and Paid eBooks
 - Audio Ic Projects Public Domain eBooks

- Audio Ic Projects eBook Subscription Services
- Audio Ic Projects Budget-Friendly Options
- 6. Navigating Audio Ic Projects eBook Formats
 - ePub, PDF, MOBI, and More
 - Audio Ic Projects Compatibility with Devices
 - Audio Ic Projects Enhanced eBook Features
- 7. Enhancing Your Reading Experience
 - Adjustable Fonts and Text Sizes of Audio Ic Projects
 - Highlighting and Note-Taking Audio Ic Projects
 - Interactive Elements Audio Ic Projects
- 8. Staying Engaged with Audio Ic Projects
 - Joining Online Reading Communities
 - Participating in Virtual Book Clubs
 - Following Authors and Publishers Audio Ic Projects
- 9. Balancing eBooks and Physical Books Audio Ic Projects
 - Benefits of a Digital Library
 - Creating a Diverse Reading Collection Audio Ic Projects
- 10. Overcoming Reading Challenges
 - Dealing with Digital Eye Strain
 - Minimizing Distractions
 - Managing Screen Time
- 11. Cultivating a Reading Routine Audio Ic Projects
 - Setting Reading Goals Audio Ic Projects
 - Carving Out Dedicated Reading Time
- 12. Sourcing Reliable Information of Audio Ic Projects
 - Fact-Checking eBook Content of Audio Ic Projects
 - Distinguishing Credible Sources
- 13. Promoting Lifelong Learning
 - Utilizing eBooks for Skill Development
 - Exploring Educational eBooks

14. Embracing eBook Trends

- Integration of Multimedia Elements
- Interactive and Gamified eBooks

Audio Ic Projects Introduction

In this digital age, the convenience of accessing information at our fingertips has become a necessity. Whether its research papers, eBooks, or user manuals, PDF files have become the preferred format for sharing and reading documents. However, the cost associated with purchasing PDF files can sometimes be a barrier for many individuals and organizations. Thankfully, there are numerous websites and platforms that allow users to download free PDF files legally. In this article, we will explore some of the best platforms to download free PDFs. One of the most popular platforms to download free PDF files is Project Gutenberg. This online library offers over 60,000 free eBooks that are in the public domain. From classic literature to historical documents, Project Gutenberg provides a wide range of PDF files that can be downloaded and enjoyed on various devices. The website is user-friendly and allows users to search for specific titles or browse through different categories. Another reliable platform for downloading Audio Ic Projects free PDF files is Open Library. With its vast collection of over 1 million eBooks, Open Library has something for every reader. The website offers a seamless experience by providing options to borrow or download PDF files. Users simply need to create a free account to access this treasure trove of knowledge. Open Library also allows users to contribute by uploading and sharing their own PDF files, making it a collaborative platform for book enthusiasts. For those interested in academic resources, there are websites dedicated to providing free PDFs of research papers and scientific articles. One such website is Academia.edu, which allows researchers and scholars to share their work with a global audience. Users can download PDF files of research papers, theses, and dissertations covering a wide range of subjects. Academia.edu also provides a platform for discussions and networking within the academic community. When it comes to downloading Audio Ic Projects free PDF files of magazines, brochures, and catalogs, Issuu is a popular choice. This digital publishing platform hosts a vast collection of publications from around the world. Users can search for specific titles or explore various categories and genres. Issuu offers a seamless reading experience with its user-friendly interface and allows users to download PDF files for offline reading. Apart from dedicated platforms, search engines also play a crucial role in finding free PDF files. Google, for instance, has an advanced search feature that allows users to filter results by file type. By specifying the file type as "PDF," users can find websites that offer free PDF downloads on a specific topic. While downloading Audio Ic Projects free PDF files is convenient, its important to note that copyright laws must be respected. Always ensure that the PDF files you download are legally available for free. Many authors and publishers voluntarily provide free PDF versions of their work, but its essential to be cautious and verify the authenticity of the source

before downloading Audio Ic Projects. In conclusion, the internet offers numerous platforms and websites that allow users to download free PDF files legally. Whether its classic literature, research papers, or magazines, there is something for everyone. The platforms mentioned in this article, such as Project Gutenberg, Open Library, Academia.edu, and Issuu, provide access to a vast collection of PDF files. However, users should always be cautious and verify the legality of the source before downloading Audio Ic Projects any PDF files. With these platforms, the world of PDF downloads is just a click away.

FAQs About Audio Ic Projects Books

How do I know which eBook platform is the best for me? Finding the best eBook platform depends on your reading preferences and device compatibility. Research different platforms, read user reviews, and explore their features before making a choice. Are free eBooks of good quality? Yes, many reputable platforms offer high-quality free eBooks, including classics and public domain works. However, make sure to verify the source to ensure the eBook credibility. Can I read eBooks without an eReader? Absolutely! Most eBook platforms offer webbased readers or mobile apps that allow you to read eBooks on your computer, tablet, or smartphone. How do I avoid digital eye strain while reading eBooks? To prevent digital eye strain, take regular breaks, adjust the font size and background color, and ensure proper lighting while reading eBooks. What the advantage of interactive eBooks? Interactive eBooks incorporate multimedia elements, quizzes, and activities, enhancing the reader engagement and providing a more immersive learning experience. Audio Ic Projects is one of the best book in our library for free trial. We provide copy of Audio Ic Projects in digital format, so the resources that you find are reliable. There are also many Ebooks of related with Audio Ic Projects. Where to download Audio Ic Projects online for free? Are you looking for Audio Ic Projects PDF? This is definitely going to save you time and cash in something you should think about. If you trying to find then search around for online. Without a doubt there are numerous these available and many of them have the freedom. However without doubt you receive whatever you purchase. An alternate way to get ideas is always to check another Audio Ic Projects. This method for see exactly what may be included and adopt these ideas to your book. This site will almost certainly help you save time and effort, money and stress. If you are looking for free books then you really should consider finding to assist you try this. Several of Audio Ic Projects are for sale to free while some are payable. If you arent sure if the books you would like to download works with for usage along with your computer, it is possible to download free trials. The free guides make it easy for someone to free access online library for download books to your device. You can get free download on free trial for lots of books categories. Our library is the biggest of these that have literally hundreds of thousands of different products categories represented. You will also see that there are specific sites catered to different product types or categories, brands or niches related with Audio Ic Projects. So depending on what

exactly you are searching, you will be able to choose e books to suit your own need. Need to access completely for Campbell Biology Seventh Edition book? Access Ebook without any digging. And by having access to our ebook online or by storing it on your computer, you have convenient answers with Audio Ic Projects To get started finding Audio Ic Projects, you are right to find our website which has a comprehensive collection of books online. Our library is the biggest of these that have literally hundreds of thousands of different products represented. You will also see that there are specific sites catered to different categories or niches related with Audio Ic Projects So depending on what exactly you are searching, you will be able to choose ebook to suit your own need. Thank you for reading Audio Ic Projects. Maybe you have knowledge that, people have search numerous times for their favorite readings like this Audio Ic Projects, but end up in harmful downloads. Rather than reading a good book with a cup of coffee in the afternoon, instead they juggled with some harmful bugs inside their laptop. Audio Ic Projects is available in our book collection an online access to it is set as public so you can download it instantly. Our digital library spans in multiple locations, allowing you to get the most less latency time to download any of our books like this one. Merely said, Audio Ic Projects is universally compatible with any devices to read.

Find Audio Ic Projects :

~~biology made simple~~

biology custom edition for the university of central florida

biographical dictionary of professional wrestling

biology of leucotrienes

biology of mammals.

biology of the hard clam

biology of the schizophrenic process

biochemistry the chemical reactions of living cells

~~biography george washington founding father~~

biomedical engineering principles an introduction to fluid heat and mass transport processes

biology art notebook

~~biology of springtails insecta collembola~~

~~biology of microorganisms study guide~~

biographical memoirs of saint john bosco

biology or oblivion

Audio Ic Projects :

plus de 100 euros d économie sur ce radiateur à bain d huile - Dec 30 2022

web 22 hours ago moins de 100 euros pour un radiateur 13 en 1 le radiateur à bain d huile aigostar black forest 33jif c est un radiateur 13 en 1 qui propose donc des fonctions

aide active à mourir il n est pas nécessaire d attendre une - Aug 26 2022

web 2 hours ago tribune les spécialistes des questions éthiques dans le domaine médical bernard baertschi jean charles duclos vallée et antoine glauzy invitent dans une

mahmoud abbas visé par une tentative d assassinat prudence - Jul 25 2022

web 11 hours ago certains affirment qu il s agirait d une tentative d assassinat ayant visé le convoi du leader de l autorité palestinienne mahmoud abbas la vérification des images

abbreviation n d in citation english language usage stack - Jan 19 2022

web 820 7 5 5 i ve used n d in apa style papers it does mean no date for a citation kelly hess mar 24 2011 at 20 05 ah thankyou yes this looks to be exactly what the authors

ce n est pas le moment zelensky opposé à l organisation - Mar 01 2023

web 1 day ago si la russie n avait pas lancé son invasion en février 2022 les législatives en ukraine auraient dû avoir lieu en octobre 2023 et la présidentielle en mars 2024

n d modelleri fiyatları trendyol - Jun 04 2023

web n d araması için 2816 sonuç listeleniyor Önerilen sıralama kuponlu Ürünler kargo bedava hızlı teslimat yüksek puanlı Ürünler yüksek puanlı satıcılar Çok al az Öde

tureng n d türkçe İngilizce sözlük - Aug 06 2023

web neodim simgesi nd neodymium i İngilizce türkçe online sözlük tureng kelime ve terimleri çevir ve farklı aksanlarda sesli dinleme pulsed nd atımlı nd pulsed nd atımlı nd nd

transat jacques vabre moins de risque d avarie louis - Dec 18 2021

web 33 minutes ago davy beaudart imoca pénalisé de cinq heures pour un départ raté louis burton bureau vallée a rapidement effectué sa pénalité sur la transat jacques vabre

yedi düvel kim düvel i muazzama hangi devletler yeni akit - Oct 28 2022

web jan 21 2019 yedi düvel ifadesi günümüzde 7 devlet anlamından ziyade dış güçlerin tamamı olarak kullanılıyor topunuz gelin derken işte bu düvel i muazzama ve onların

oyun köşesi d d nedir novel günleri novelgunleri com - Aug 14 2021

web oct 29 2018 oyun köşesi d d nedir Öncelikle sitemizin yeni fonksiyonu olan blog a hoş geldiniz İlk yazımda çevirdiğim

seri olan gece korucusu nun temel olarak kullandığı

convention collective nationale de l immobilier - May 03 2023

web nov 7 2023 conformément au i 5 de l article 1er du décret n 2020 926 du 28 juillet 2020 relatif au dispositif spécifique d activité partielle en cas de réduction d activité

des grands parents qui ne veulent pas être exploités s occuper - Apr 21 2022

web oct 29 2023 il n est pas toujours facile de fixer des limites et poussés par la culpabilité de nombreux grands parents se retrouvent plongés dans un tourbillon d écoles d activités

décret n 2023 777 du 14 août 2023 relatif aux directeurs d école - May 11 2021

web aug 15 2023 le chapitre ier du titre ier du livre iv du code de l éducation est ainsi modifié 1 les articles d 411 1 à d 411 9 constituent une section 1 intitulée dispositions

vladimir poutine mise sur une guerre d usure le figaro - Jun 23 2022

web 2 days ago vladimir poutine mise sur une guerre d usure en matière de ressources le kremlin vient de faire voter un budget militaire en hausse de 68 en 2024 gavriil

en suède quelles limites pour la liberté d expression - Sep 07 2023

web 10 hours ago de quoi susciter un débat en suède sur la liberté d expression et ses limites salwan momika réfugié irakien brandit un exemplaire du coran à l extérieur de

d n what does d n stand for the free dictionary - Oct 04 2020

web looking for online definition of d n or what d n stands for d n is listed in the world s most authoritative dictionary of abbreviations and acronyms the free dictionary

davdanlı bala vikipedi - Nov 16 2021

web türkiye 2000 davdanlı ankara ilinin balâ ilçesine bağlı bir köyüdür bu alt başlığın geliştirilmesi gerekiyor ankara il merkezine 71 km balâ ilçesine 35 km uzaklıktır

the 10 basic strumming patterns tab and chord - Oct 16 2021

web aug 13 2013 pattern 2 d d dud d du pattern 3 d d d d du pattern 4 d udud udud du pattern 5 d du udu pattern 6 d d u uudu pattern 7 d uud uudu pattern 8 d d u udu ddu pattern 9 d d udu dd du pattern 10 d d u udd

d wikipedia - Apr 02 2023

the roman numeral d represents the number 500 d is the grade below c but above e in the school grading system d is the international vehicle registration code for germany see also de in cantonese because the lack of unicode cjk support in the early computer system many hong kongers and singaporeans used the capitalized d to represent 𠵼 lit a little

javascript i want the regular expression for the data of type dd d dd - Jul 13 2021

web sep 10 2013 i want the regular expression for the data of type dd d dd dddd or dd d d dddd each d is for a digit between 0 9 and the regular expression should represent both the formats i am working in java script i have tried the following code but it is not working for all the input strings

using the invariance principle how to solve n d n d d n m - Sep 14 2021

web stack exchange network consists of 183 q a communities including stack overflow the largest most trusted online community for developers to learn share their knowledge and build their careers visit stack exchange

d d d d n d n d d d n d d d du n d n d d dud d d pdf pdf - Sep 26 2022

web web1 d n d n 0 such that $1 \leq x_n \leq 1$ d i pf base case n 3 1 1 2 1 3 6 note that indeed the last denom is 0 ih 1 p n i 1 1 d i and d n 0 is let d i 6x replace

transat jacques vabre l un des favoris le class40 de delahaye - May 23 2022

web 1 hour ago l un des favoris de la transat jacques vabre en class40 legallais a été victime d une avarie majeure dans la nuit du mercredi 8 au jeudi 9 novembre au large

d d english meaning cambridge dictionary - Jan 31 2023

web d d english meaning cambridge dictionary meaning of d d in english d d noun uk di: us di: plural ds d s or d s d d noun letter add to word list c or u the fourth

c printf d d d n a a a output stack overflow - Nov 28 2022

web could anyone explain these undefined behaviors i i i i etc i m not able to understand the output of this program using gcc main int a 10 printf d d

what does this d d d s regex match stack overflow - Feb 05 2021

web mar 5 2018 d matches the digits it is all about the langugae you are using in python3 0 9 matches only 0123456789 characters while d matches 0 9 and other digit

suppose n and d are integers and d neq 0 prove e quizlet - Apr 09 2021

web find step by step discrete math solutions and your answer to the following textbook question suppose n and d are integers and d neq 0 prove each of the following

letizia d espagne est renversante dans cette robe de princesse - Nov 04 2020

web nov 7 2023 letizia d espagne est renversante dans cette robe de princesse digne d un dessin animé disney letizia d espagne n a aucun mal à reporter les tenues qu elle

d day wikipe di - Jun 11 2021

web d day amerika birleşik devletleri silahlı kuvvetlerince askerî harekâtın başlangıç günü anlamıyla kullanılmış olan terim ancak normandiya Çıkarması ndan kullanıldıktan sonra

dungeons dragons official home of the world s greatest - Oct 08 2023

web jul 19 2003 step up your game at no cost with the official digital toolset for dungeons dragons dive into the basic rules of d d create characters manage your campaign

kanal d anasayfa - Jul 05 2023

web kanal d türkiye nin kanalı kanal d yayın akışı canlı yayını dizi ve program bölümleri özetleri fragmanları özel klipleri ve daha fazlası için kanald com tr

premières images d euclid l éblouissante lisière de l obscurité - Mar 21 2022

web 1 day ago aujourd'hui la mission spatiale euclid de l esa révèle ses premières images en couleur du cosmos jamais auparavant un télescope n avait été capable de créer des

the weeknd d d youtube - Mar 09 2021

web dec 22 2011 theweeknd co beautybehindthemassthe madness fall tour 2015 republicrec co bbtmtickets

if m n and d are integers d 0 and d m n what is the quizlet - Dec 06 2020

web discrete math if m n a b and d are integers d 0 and m mod d a and n mod d b is m n mod d a b is m n mod d a b mod d prove your answers calculus

n d petpal - Feb 17 2022

web n d ocean düşük tahıllı morina balıklı ve portakallı yetişkin kedi maması 5 kg 1 039 90 tı Ücretsiz kargo n d n d tahılsız tavuklu narlı kısırlaştırılmıř yetişkin kedi

d d d disney wiki fandom - Jan 07 2021

web d d d is is a song sung by japanese folk rock band the alfee that was originally released on the band s album ōrb in 1999 and later appeared on the video game pop n music mickey tunes the song was made to celebrate donald duck s 65th anniversary and is sung in both japanese and english two alternate versions of the song exist the first is a longer

via afrika teachers guide geography grade 12 uniport edu - Feb 16 2022

web jun 20 2023 via afrika teachers guide geography grade 12 2 9 downloaded from uniport edu ng on june 20 2023 by guest ongoing interplay of structures policies and norms that shape lives when these factors are not optimal in a community it does not mean they are intractable such inequities can be mitigated by social policies

via afrika geography grade 10 teacher s guide - Aug 25 2022

web via afrika geography grade 10 teacher s guide 1 the series was written to be aligned with caps 2 a possible work schedule has been included 3 each topic starts with an overview of what is taught and the resources you need 4 there is advice on pace setting to assist you in completing all the work for the year on time

via africa study guide gr 12 pdf google drive - Feb 28 2023

web via africa study guide gr 12 pdf via africa study guide gr 12 pdf sign in details

study master geography grade 12 teacher s guide - Sep 25 2022

web module 8 economic geography of south africa geographical skills and techniques 135 unit 1 mapwork skills 136 unit 2 topographic maps 138 unit 3 geographical information systems giss 140 unit 4 using atlases revision 142 review term 3 144 assessment task 3 economic geography of south africa geographical skills and techniques 202

via afrika study guides wced eportal - May 22 2022

web share this content terug na fet study guides expand your learning and career opportunities with up to date comprehensive study guides for all major grade 10 to 12 subjects viaafrika com free downloads free downloads for schools **via afrika geography grade 12 study guide wced eportal** - May 02 2023

web viaafrika com wp content uploads 2020 06 gr12 geography study guide lr pdf this guide must be used in conjunction with the main textbook as it is a summary of the main components of the textbook once you have studied the detail in the main textbook use this guide as a summary language

via afrika grade 12 geography teachers guide copy uniport edu - Mar 20 2022

web via afrika grade 12 geography teachers guide 1 6 downloaded from uniport edu ng on october 5 2023 by guest via afrika grade 12 geography teachers guide as recognized adventure as skillfully as experience very nearly lesson

via afrika geography grade 12 teacher s guide - Oct 07 2023

web via afrika geography grade 12 teacher s guide r 282 90 add to basket isbn 9781415422724 categories grade 12 fet geography

via afrika geography grade 12 learner s book eduguru - Jun 22 2022

web via afrika geography grade 12 learner s book r 300 00 9781415422717 sku 9781415422717 categories new textbooks grade 10 12 geography share this

ebook epdf via afrika geography grade 12 teacher s guide - Apr 01 2023

web ebook epdf via afrika geography grade 12 teacher s guide beets p a d samaai g gear s hambly a w jacobs j a najjaar k shabalala z p l this geography grade 12 teacher s guide covers the requirements of the caps curriculum in terms of teacher support for this subject

via afrika teachers guide geography grade 12 2015eeglobalsip - Jul 24 2022

web apr 10 2023 just invest little grow old to entre this on line publication via afrika teachers guide geography grade 12 as well as evaluation them wherever you are now geography grade 12 dec 02 2019 teachers guide and laboratory exercises to accompany an introduction to physical geography classic reprint jan 15 2021

via afrika geography grade 12 learner s book - Nov 27 2022

web in this final exciting year of highschool geography you ll get a bird s eye view of these amazing forces of nature as you study satellite images and synoptic weather maps you ll also study many important aspects of south africa in particular explore our river systems

via afrika geography - Oct 27 2022

web via afrika geography grade 11 study guide p a d beets s gea r a w hambl y j a jacobs k najjaar g samaai z p l shabalala grade 11 teacher s guide via afrika geography via afrika understands values and supports your role as a teacher you have the most important job in education and we

grade 12 via afrika study guides hlayiso com - Jan 30 2023

web the grade 12 via afrika study guides are available in afrikaans and english there s study guides for over 40 subjects and they are 100 free to use download grade 12 via afrika study guides

via afrika tourism grade 12 teacher s guide google books - Dec 29 2022

web bibliographic information title via afrika tourism grade 12 teacher s guide contributor d j brown publisher via afrika 2012 isbn 1415423245 9781415423240

free downloads via afrika - Sep 06 2023

web free downloads via afrika expand your learning and career opportunities with up to date comprehensive study guides for all major grade 10 to 12 subjects tvet students access additional data files to enhance your printed books tvet lecturers we have a wide range of guides just for you

teacher s guide via afrika - Jun 03 2023

web ebook epdf via afrika mathematical literacy grade 12 teacher s guide r 131 14 e boek e pdf via afrika sosiale

wetenskappe graad 8 onderwysersgids r 131 14 e boek e pdf via afrika sosiale wetenskappe graad 9 onderwysersgids r 131 14 ebook epdf via afrika mathematical literacy grade 11 teacher s guide r 131 14

geography teachers guide grade 12 pdf free - Jul 04 2023

web get the lifepac 12th grade history geography teacher s guide the comprehensive guide includes curriculum overview lesson planning alternate tests and worksheets and answer keys for lessons and ethiopian grade 12 geography teacher guide ethiopian grade 12 geography teacher guide

via afrika grade 12 geography teachers guide pdf uniport edu - Apr 20 2022

web aug 10 2023 via afrika grade 12 geography teachers guide is available in our digital library an online access to it is set as public so you can get it instantly our digital library hosts in multiple countries allowing you to get the most less latency time to download

ebook epdf via afrika geography grade 12 teacher s guide - Aug 05 2023

web isbn 9781775638575 categories grade 12 fet geography description this is the digital version of this book for use on tablet devices click here for more information on our different ebooks via afrika understands values and supports your role as a teacher

persian carpet wikipedia - Mar 29 2022

web the persian carpet tradition six centuries of des the practical book of oriental rugs the legend of the persian carpet import export of hand knotted oriental rugs

the persian carpet tradition six centuries of design evolution - Sep 03 2022

web full description between 1400 and 1500 a design revolution in persia swept away a 2000 year old tradition of carpet design replacing abstract geometric patterns with complex

persian carpets persian rugs history of persian carpet - Oct 24 2021

the persian carpet tradition six centuries of design evolution - Dec 06 2022

web books next this one merely said the the persian carpet tradition six centuries of des is universally compatible in imitation of any devices to read kurkish culture and society

the persian carpet tradition six centuries of design evolution - Jul 13 2023

web it was followed over the next four centuries by a second revolution during which the principal design elements of the first permeated carpet production at every level

the persian carpet tradition six centuries of design evolution - May 31 2022

web the centuries old traditions of nomadic carpet weaving which had entered a process of decline with the introduction of synthetic dyes and commercial designs in the late

the persian carpet tradition six centuries of des copy - Jan 27 2022

web to look at a persian carpet is to gaze into a world of artistic magnificence nurtured for more then 2 500 years the iranians were among the first carpet weaver of the ancient

the persian carpet tradition six centuries of design evolution - Feb 08 2023

web oct 24 2018 between 1400 and 1500 a design revolution in persia swept away a 2000 year old tradition of carpet design replacing abstract geometric patterns with complex

[the persian carpet tradition six centuries of design evolution](#) - Feb 25 2022

web century persian carpets among the finest ever produced the two ardabil carpets are believed to have been made as offerings for the shrine of sheikh safi at ardabil during

[the persian carpet tradition six centuries of des](#) - Apr 10 2023

web the persian carpet tradition six centuries of des the persian carpet tradition jun 20 2023 between 1400 and 1500 a design revolution in persia swept away a 2000 year

the persian carpet tradition six centuries of design evolution - Jun 12 2023

web jun 30 2019 5 00 2 ratings1 review between 1400 and 1500 a design revolution in persia swept away a 2000 year old tradition of carpet design replacing abstract geometric

the persian carpet tradition six centuries of des 2023 - Aug 02 2022

web jul 12 2019 the persian carpet tradition six centuries of design evolution ford p r j 9781898113621 books amazon ca *the persian carpet tradition six centuries of design evolution* - Jan 07 2023

web title the persian carpet tradition six centuries of design evolution author p r j ford publication year 2019 publisher hali publications ltd the persian carpet

carpets from the islamic world 1600 1800 essay - Dec 26 2021

web iran is the genesis of most motifs patterns and traditional colorations produced in rugs throughout the world today over the centuries persian carpets have become

the persian carpet tradition six centuries of design evolution - May 11 2023

web buy the persian carpet tradition six centuries of design evolution reprinting december 2024 by p r j ford isbn 9781898113621 from amazon s book store

thepersiancarpettraditionsixcenturiesof des - Nov 24 2021

the persian carpet tradition acc art books us - Jul 01 2022

web of design free pdf books the persian carpet tradition six centuries of design the persian carpet tradition six centuries of design the rug pyramid understanding antique

the persian carpet tradition six centuries of des - Nov 05 2022

web between 1400 and 1500 a design revolution in persia swept away a 2000 year old tradition of carpet design replacing abstract geometric patterns with complex floral scrolls

the persian carpet tradition six centuries of design evolution - Aug 14 2023

web jun 30 2019 between 1400 and 1500 a design revolution in persia swept away a 2000 year old tradition of carpet design replacing abstract geometric patterns with complex

the persian carpet tradition six centuries of design evolution - Apr 29 2022

web buy the persian carpet tradition six centuries of design evolution by p r j ford online at alibris we have new and used copies available in 1 editions starting at

persian carpets persian rugs history farsinet - Sep 22 2021

the persian carpet tradition the hali shop - Oct 04 2022

web question just exercise just what we present below as skillfully as review the persian carpet tradition six centuries of des what you taking into account to read the

the persian carpet tradition six centuries of design - Mar 09 2023

web buy the persian carpet tradition six centuries of design evolution by ford p r j online on amazon ae at best prices fast and free shipping free returns cash on delivery