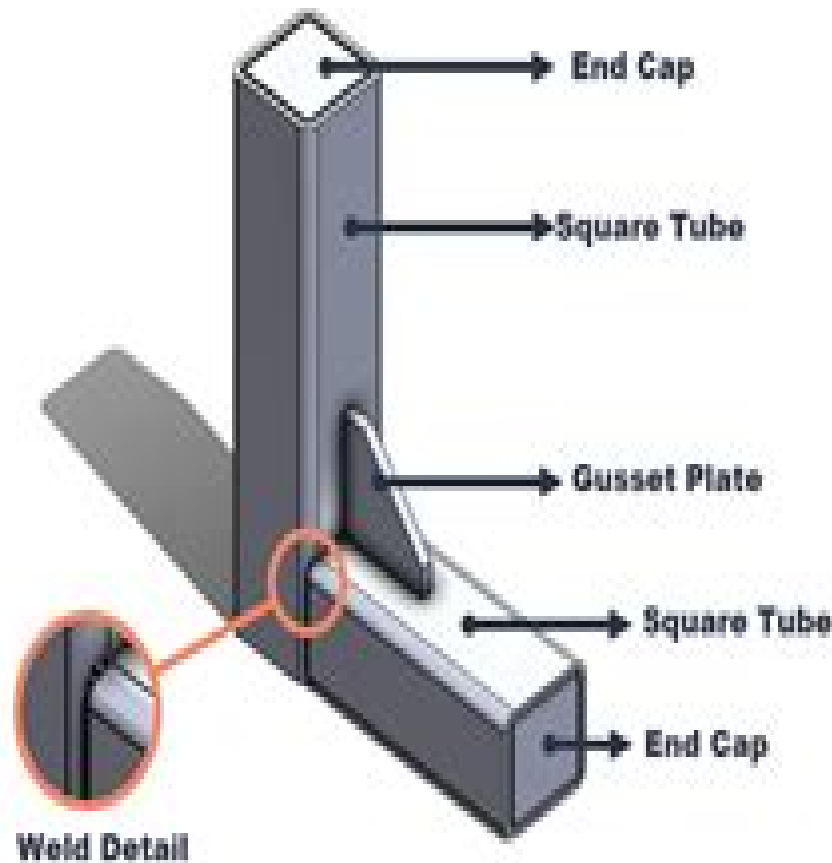


Weldments Basic



Weldment Basic in Solidworks 2021

Design Of Weldments

Lauren Gardner



Design Of Weldments:

Uncover the mysteries within its enigmatic creation, **Design Of Weldments** . This downloadable ebook, shrouded in suspense, is available in a PDF format (*). Dive into a world of uncertainty and anticipation. Download now to unravel the secrets hidden within the pages.

<https://www.cruiselady.com/book/Resources/index.jsp/Bible%20On%20Suffering%20Social%20And%20Political%20Implications.pdf>

Table of Contents Design Of Weldments

1. Understanding the eBook Design Of Weldments
 - The Rise of Digital Reading Design Of Weldments
 - Advantages of eBooks Over Traditional Books
2. Identifying Design Of Weldments
 - Exploring Different Genres
 - Considering Fiction vs. Non-Fiction
 - Determining Your Reading Goals
3. Choosing the Right eBook Platform
 - Popular eBook Platforms
 - Features to Look for in an Design Of Weldments
 - User-Friendly Interface
4. Exploring eBook Recommendations from Design Of Weldments
 - Personalized Recommendations
 - Design Of Weldments User Reviews and Ratings
 - Design Of Weldments and Bestseller Lists
5. Accessing Design Of Weldments Free and Paid eBooks
 - Design Of Weldments Public Domain eBooks
 - Design Of Weldments eBook Subscription Services
 - Design Of Weldments Budget-Friendly Options

6. Navigating Design Of Weldments eBook Formats
 - ePub, PDF, MOBI, and More
 - Design Of Weldments Compatibility with Devices
 - Design Of Weldments Enhanced eBook Features
7. Enhancing Your Reading Experience
 - Adjustable Fonts and Text Sizes of Design Of Weldments
 - Highlighting and Note-Taking Design Of Weldments
 - Interactive Elements Design Of Weldments
8. Staying Engaged with Design Of Weldments
 - Joining Online Reading Communities
 - Participating in Virtual Book Clubs
 - Following Authors and Publishers Design Of Weldments
9. Balancing eBooks and Physical Books Design Of Weldments
 - Benefits of a Digital Library
 - Creating a Diverse Reading Collection Design Of Weldments
10. Overcoming Reading Challenges
 - Dealing with Digital Eye Strain
 - Minimizing Distractions
 - Managing Screen Time
11. Cultivating a Reading Routine Design Of Weldments
 - Setting Reading Goals Design Of Weldments
 - Carving Out Dedicated Reading Time
12. Sourcing Reliable Information of Design Of Weldments
 - Fact-Checking eBook Content of Design Of Weldments
 - Distinguishing Credible Sources
13. Promoting Lifelong Learning
 - Utilizing eBooks for Skill Development
 - Exploring Educational eBooks
14. Embracing eBook Trends
 - Integration of Multimedia Elements

- Interactive and Gamified eBooks

Design Of Weldments Introduction

In today's digital age, the availability of Design Of Weldments books and manuals for download has revolutionized the way we access information. Gone are the days of physically flipping through pages and carrying heavy textbooks or manuals. With just a few clicks, we can now access a wealth of knowledge from the comfort of our own homes or on the go. This article will explore the advantages of Design Of Weldments books and manuals for download, along with some popular platforms that offer these resources. One of the significant advantages of Design Of Weldments books and manuals for download is the cost-saving aspect. Traditional books and manuals can be costly, especially if you need to purchase several of them for educational or professional purposes. By accessing Design Of Weldments versions, you eliminate the need to spend money on physical copies. This not only saves you money but also reduces the environmental impact associated with book production and transportation. Furthermore, Design Of Weldments books and manuals for download are incredibly convenient. With just a computer or smartphone and an internet connection, you can access a vast library of resources on any subject imaginable. Whether you're a student looking for textbooks, a professional seeking industry-specific manuals, or someone interested in self-improvement, these digital resources provide an efficient and accessible means of acquiring knowledge. Moreover, PDF books and manuals offer a range of benefits compared to other digital formats. PDF files are designed to retain their formatting regardless of the device used to open them. This ensures that the content appears exactly as intended by the author, with no loss of formatting or missing graphics. Additionally, PDF files can be easily annotated, bookmarked, and searched for specific terms, making them highly practical for studying or referencing. When it comes to accessing Design Of Weldments books and manuals, several platforms offer an extensive collection of resources. One such platform is Project Gutenberg, a nonprofit organization that provides over 60,000 free eBooks. These books are primarily in the public domain, meaning they can be freely distributed and downloaded. Project Gutenberg offers a wide range of classic literature, making it an excellent resource for literature enthusiasts. Another popular platform for Design Of Weldments books and manuals is Open Library. Open Library is an initiative of the Internet Archive, a non-profit organization dedicated to digitizing cultural artifacts and making them accessible to the public. Open Library hosts millions of books, including both public domain works and contemporary titles. It also allows users to borrow digital copies of certain books for a limited period, similar to a library lending system. Additionally, many universities and educational institutions have their own digital libraries that provide free access to PDF books and manuals. These libraries often offer academic texts, research papers, and technical manuals, making them invaluable resources for students and researchers. Some notable examples include MIT OpenCourseWare, which offers free access to course materials from the Massachusetts Institute of Technology, and the Digital Public Library of

America, which provides a vast collection of digitized books and historical documents. In conclusion, Design Of Weldments books and manuals for download have transformed the way we access information. They provide a cost-effective and convenient means of acquiring knowledge, offering the ability to access a vast library of resources at our fingertips. With platforms like Project Gutenberg, Open Library, and various digital libraries offered by educational institutions, we have access to an ever-expanding collection of books and manuals. Whether for educational, professional, or personal purposes, these digital resources serve as valuable tools for continuous learning and self-improvement. So why not take advantage of the vast world of Design Of Weldments books and manuals for download and embark on your journey of knowledge?

FAQs About Design Of Weldments Books

How do I know which eBook platform is the best for me? Finding the best eBook platform depends on your reading preferences and device compatibility. Research different platforms, read user reviews, and explore their features before making a choice. Are free eBooks of good quality? Yes, many reputable platforms offer high-quality free eBooks, including classics and public domain works. However, make sure to verify the source to ensure the eBook credibility. Can I read eBooks without an eReader? Absolutely! Most eBook platforms offer web-based readers or mobile apps that allow you to read eBooks on your computer, tablet, or smartphone. How do I avoid digital eye strain while reading eBooks? To prevent digital eye strain, take regular breaks, adjust the font size and background color, and ensure proper lighting while reading eBooks. What the advantage of interactive eBooks? Interactive eBooks incorporate multimedia elements, quizzes, and activities, enhancing the reader engagement and providing a more immersive learning experience. Design Of Weldments is one of the best book in our library for free trial. We provide copy of Design Of Weldments in digital format, so the resources that you find are reliable. There are also many Ebooks of related with Design Of Weldments. Where to download Design Of Weldments online for free? Are you looking for Design Of Weldments PDF? This is definitely going to save you time and cash in something you should think about.

Find Design Of Weldments :

~~bible on suffering social and political implications~~

bibliography of crime and criminal justice 1927-1931

bicicleta la

~~biblical offense of racism the~~

~~bicentennial wallace homestead price guide~~

~~biblia para mi 12 historias favoritas~~

~~bibliography of north american geology~~

bibliography of creative african writing

bien commencer la menuiserie

~~bibliotheca psychiatrica no 164 the delusional misidentification syndromes~~

bienvenidos a la jungla

big brother little brother

bibliography various readings memorial

bibliographie de la mauricie

bible rvr 1960 hs gp ref black

Design Of Weldments :

Hyundai Atos Manuals Hyundai Atos Upload new manual · User's manuals (3) Add · Repair manuals (5) Add ... workshop manual for atos - Hyundai Forum Aug 29, 2006 — I have a hyundai atos (2000) too! Im looking for the workshop manual for it too, I've got the manual for every other models of hyundai, ... Hyundai Atos Service Manual (G4HC engine) Hey people! I'm new around here! Me and my bud are used to rebuild engines and now we wanted to rebuild my mom's 1998 1st gen Hyundai Atos ... Hyundai Atos body service and repair manual Get and view online the Hyundai Atos service and repair manual in english and pdf document. The complete user guide for repair and maintenance the Hyundai ... User manual Hyundai Atos (2002) (English - 249 pages) Under the hood, the 2002 Atos is equipped with a 1.0-liter gasoline engine, which delivers adequate power for everyday driving. It is paired with a manual ... User manual Hyundai Atos (2003) (English - 127 pages) Manual. View the manual for the Hyundai Atos (2003) here, for free. This manual comes under the category cars and has been rated by 28 people with an ... Atos Prime Workshop/ Repair Manual Jan 23, 2005 — Hi everyone, I would like to obtain a workshop / repair manual for the Hyundai Atos Prime (English Version). Repair manuals and video tutorials on HYUNDAI ATOS Step-by-step DIY HYUNDAI ATOS repair and maintenance · Amica (MX) 2019 workshop manual online. How to change fuel filter on a car - replacement tutorial · Atos ... I just bought a Hyundai Atos 1.0 Manual. Engine G4HC. ... Aug 28, 2011 — But My car is Manual Transmission. The problem is when i depress the Clutch for gear change, the engine start to rev. the current mileage is ... Hyundai Atos engine 1.1 workshop manual Jul 1, 2021 — Hello friends in attachment there is workshop manual for Hyundai Atos MY 2005. There are: general information engine mechanical 1984-1993-factory-service-manual.pdf ... free cloth. They must be kept spotlessly clean. Connecting rod bearing oil clearance check. 3 Clean the back side of the

new upper bearing insert, then lay ... Jeep Service Manuals May 29, 2012 — Here is a site with PDF format Mopar - Chrysler OEM parts catalogs for your year XJ. These are handy because they show exploded views of every ... Repair Manuals & Literature for 1992 Jeep Cherokee Get the best deals on Repair Manuals & Literature for 1992 Jeep Cherokee when you shop the largest online selection at eBay.com. Free shipping on many items ... Free online repair manuals? : r/MechanicAdvice Key word being “free.” Looking for a source that would have a library of factory repair manuals - the kind technicians would actually use ... factory service repair manual madness Jun 10, 2016 — I have some manuals below. You'll notice that the 1995 manual covers Cherokee and Wrangler. The 2000 manual only covers the Cherokee. I believe ... Jeep Cherokee Repair & Service Manuals (740 PDF's Jeep Cherokee service PDF's covering routine maintenance and servicing; Detailed Jeep Cherokee Engine and Associated Service Systems (for Repairs and Overhaul) ... 1992 Service Manual? Oct 25, 2008 — If you want a reasonable book that will show you much of what you need to know for maintenance, some rebuild & repairs, and especially for those ... Free Online Auto Repair Manuals and Wiring Diagrams Download free Jeep repair manuals [pdf] for do-it-yourselfers. Each Jeep repair manual contains the detailed description of works and wiring diagrams... JEEP Cherokee XJ 1992-1996 Factory Workshop Manual Complete shop manual with easy, step by step instructions for the DIY mechanic or professional technician to help maintain, repair or restore the JEEP Cherokee ... Jeep Cherokee 1984-2001 Workshop Repair Manual ... Official Jeep Cherokee Workshop Manual is the complete Service Repair Information System containing comprehensive illustrations and Wiring diagrams, accurate, ... 2004 Jeep Liberty Repair Shop Manual Original 2004 JEEP LIBERTY FACTORY SERVICE MANUAL Full of information and illustrations, covers a lot, no missing pages, step by step instructions, ... 2004 JEEP LIBERTY Service Repair Manual - Issuu Jun 23, 2019 — Read 2004 JEEP LIBERTY Service Repair Manual by 1638818 on Issuu and browse thousands of other publications on our platform. Start here! 2004 Jeep Liberty Repair Manual - Vehicle Equip cars, trucks & SUVs with 2004 Jeep Liberty Repair Manual - Vehicle from AutoZone. Get Yours Today! We have the best products at the right price. Repair Manuals & Literature for Jeep Liberty Get the best deals on Repair Manuals & Literature for Jeep Liberty when you shop the largest online selection at eBay.com. Free shipping on many items ... 2004-liberty.pdf - Dealer E Process This manual has been prepared with the assistance of service and engineering specialists to acquaint you with the operation and maintenance of your new vehicle. Description: Chilton's Jeep Liberty 2002-2004 repair manual It guides you through repair procedures for all major systems, including engine overhaul, chassis electrical, tune-up, drive train, brakes, steering and ... Jeep Liberty (2002 - 2012) Chilton Master your 2002-2012 Jeep Liberty's maintenance with Chilton manuals. Step-by-step guides for confident DIY repairs. 2004 jeep liberty service repair manual May 9, 2018 — Read 2004 jeep liberty service repair manual by 1633395 on Issuu and browse thousands of other publications on our platform. Start here! Factory service and parts manuals - Jeep Liberty Forum Sep 24, 2015 — 2002 Jeep Liberty Factory Parts Manual. MediaFire is a simple to use free service that lets you put all your photos, documents, music,

and video ... Jeep Liberty 2002-2007 (Haynes Repair Manual) Inside this manual you will find routine maintenance, tune-up procedures, engine repair, cooling and heating, air conditioning, fuel and exhaust, emissions ...