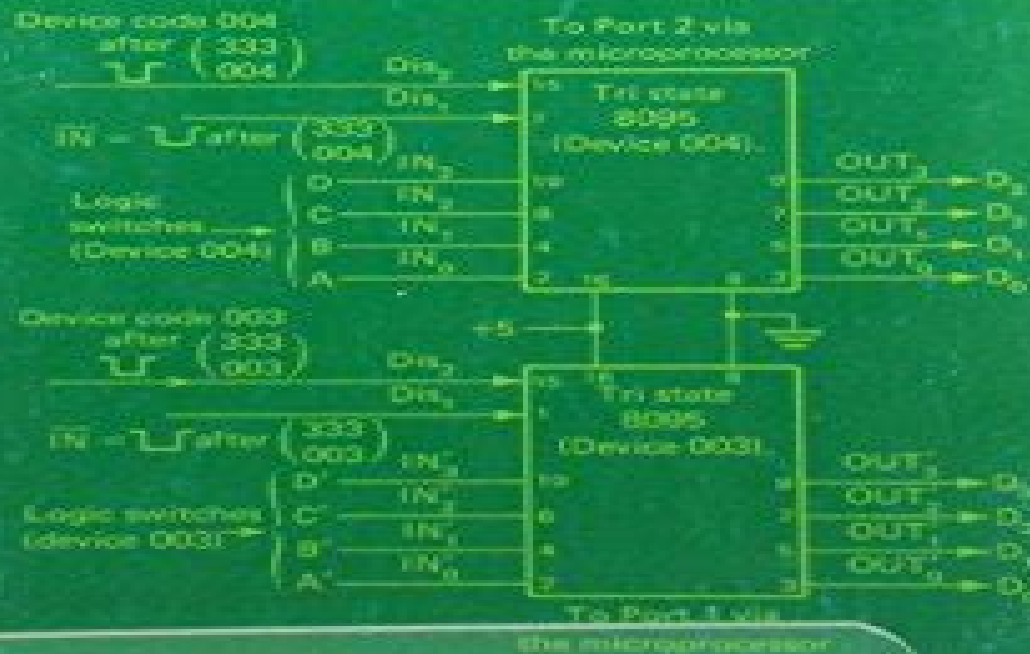


HP Series in Hardware  
Number 4

# 8080 Microcomputer Experiments

Howard Boyet



# 8080 Microcomputer Experiments

**N Noddings**



## **8080 Microcomputer Experiments:**

Eventually, you will agreed discover a other experience and attainment by spending more cash. yet when? realize you recognize that you require to get those every needs similar to having significantly cash? Why dont you attempt to get something basic in the beginning? Thats something that will lead you to comprehend even more not far off from the globe, experience, some places, gone history, amusement, and a lot more?

It is your entirely own period to perform reviewing habit. in the middle of guides you could enjoy now is **8080 Microcomputer Experiments** below.

[https://www.cruiselady.com/book/scholarship/fetch.php/abraham\\_lincoln\\_a\\_press\\_portrait\\_journalists\\_lincoln.pdf](https://www.cruiselady.com/book/scholarship/fetch.php/abraham_lincoln_a_press_portrait_journalists_lincoln.pdf)

## **Table of Contents 8080 Microcomputer Experiments**

1. Understanding the eBook 8080 Microcomputer Experiments
  - The Rise of Digital Reading 8080 Microcomputer Experiments
  - Advantages of eBooks Over Traditional Books
2. Identifying 8080 Microcomputer Experiments
  - Exploring Different Genres
  - Considering Fiction vs. Non-Fiction
  - Determining Your Reading Goals
3. Choosing the Right eBook Platform
  - Popular eBook Platforms
  - Features to Look for in an 8080 Microcomputer Experiments
  - User-Friendly Interface
4. Exploring eBook Recommendations from 8080 Microcomputer Experiments
  - Personalized Recommendations
  - 8080 Microcomputer Experiments User Reviews and Ratings
  - 8080 Microcomputer Experiments and Bestseller Lists
5. Accessing 8080 Microcomputer Experiments Free and Paid eBooks

- 8080 Microcomputer Experiments Public Domain eBooks
  - 8080 Microcomputer Experiments eBook Subscription Services
  - 8080 Microcomputer Experiments Budget-Friendly Options
6. Navigating 8080 Microcomputer Experiments eBook Formats
    - ePub, PDF, MOBI, and More
    - 8080 Microcomputer Experiments Compatibility with Devices
    - 8080 Microcomputer Experiments Enhanced eBook Features
  7. Enhancing Your Reading Experience
    - Adjustable Fonts and Text Sizes of 8080 Microcomputer Experiments
    - Highlighting and Note-Taking 8080 Microcomputer Experiments
    - Interactive Elements 8080 Microcomputer Experiments
  8. Staying Engaged with 8080 Microcomputer Experiments
    - Joining Online Reading Communities
    - Participating in Virtual Book Clubs
    - Following Authors and Publishers 8080 Microcomputer Experiments
  9. Balancing eBooks and Physical Books 8080 Microcomputer Experiments
    - Benefits of a Digital Library
    - Creating a Diverse Reading Collection 8080 Microcomputer Experiments
  10. Overcoming Reading Challenges
    - Dealing with Digital Eye Strain
    - Minimizing Distractions
    - Managing Screen Time
  11. Cultivating a Reading Routine 8080 Microcomputer Experiments
    - Setting Reading Goals 8080 Microcomputer Experiments
    - Carving Out Dedicated Reading Time
  12. Sourcing Reliable Information of 8080 Microcomputer Experiments
    - Fact-Checking eBook Content of 8080 Microcomputer Experiments
    - Distinguishing Credible Sources
  13. Promoting Lifelong Learning
    - Utilizing eBooks for Skill Development

- Exploring Educational eBooks
14. Embracing eBook Trends
- Integration of Multimedia Elements
  - Interactive and Gamified eBooks

### **8080 Microcomputer Experiments Introduction**

In the digital age, access to information has become easier than ever before. The ability to download 8080 Microcomputer Experiments has revolutionized the way we consume written content. Whether you are a student looking for course material, an avid reader searching for your next favorite book, or a professional seeking research papers, the option to download 8080 Microcomputer Experiments has opened up a world of possibilities. Downloading 8080 Microcomputer Experiments provides numerous advantages over physical copies of books and documents. Firstly, it is incredibly convenient. Gone are the days of carrying around heavy textbooks or bulky folders filled with papers. With the click of a button, you can gain immediate access to valuable resources on any device. This convenience allows for efficient studying, researching, and reading on the go. Moreover, the cost-effective nature of downloading 8080 Microcomputer Experiments has democratized knowledge. Traditional books and academic journals can be expensive, making it difficult for individuals with limited financial resources to access information. By offering free PDF downloads, publishers and authors are enabling a wider audience to benefit from their work. This inclusivity promotes equal opportunities for learning and personal growth. There are numerous websites and platforms where individuals can download 8080 Microcomputer Experiments. These websites range from academic databases offering research papers and journals to online libraries with an expansive collection of books from various genres. Many authors and publishers also upload their work to specific websites, granting readers access to their content without any charge. These platforms not only provide access to existing literature but also serve as an excellent platform for undiscovered authors to share their work with the world. However, it is essential to be cautious while downloading 8080 Microcomputer Experiments. Some websites may offer pirated or illegally obtained copies of copyrighted material. Engaging in such activities not only violates copyright laws but also undermines the efforts of authors, publishers, and researchers. To ensure ethical downloading, it is advisable to utilize reputable websites that prioritize the legal distribution of content. When downloading 8080 Microcomputer Experiments, users should also consider the potential security risks associated with online platforms. Malicious actors may exploit vulnerabilities in unprotected websites to distribute malware or steal personal information. To protect themselves, individuals should ensure their devices have reliable antivirus software installed and validate the legitimacy of the websites they are downloading from. In conclusion, the ability to download 8080 Microcomputer Experiments has transformed the way we access information. With the convenience, cost-effectiveness, and

accessibility it offers, free PDF downloads have become a popular choice for students, researchers, and book lovers worldwide. However, it is crucial to engage in ethical downloading practices and prioritize personal security when utilizing online platforms. By doing so, individuals can make the most of the vast array of free PDF resources available and embark on a journey of continuous learning and intellectual growth.

### FAQs About 8080 Microcomputer Experiments Books

**What is a 8080 Microcomputer Experiments PDF?** A PDF (Portable Document Format) is a file format developed by Adobe that preserves the layout and formatting of a document, regardless of the software, hardware, or operating system used to view or print it. **How do I create a 8080 Microcomputer Experiments PDF?** There are several ways to create a PDF: Use software like Adobe Acrobat, Microsoft Word, or Google Docs, which often have built-in PDF creation tools. Print to PDF: Many applications and operating systems have a "Print to PDF" option that allows you to save a document as a PDF file instead of printing it on paper. Online converters: There are various online tools that can convert different file types to PDF. **How do I edit a 8080 Microcomputer Experiments PDF?** Editing a PDF can be done with software like Adobe Acrobat, which allows direct editing of text, images, and other elements within the PDF. Some free tools, like PDFescape or Smallpdf, also offer basic editing capabilities. **How do I convert a 8080 Microcomputer Experiments PDF to another file format?** There are multiple ways to convert a PDF to another format: Use online converters like Smallpdf, Zamzar, or Adobe Acrobats export feature to convert PDFs to formats like Word, Excel, JPEG, etc. Software like Adobe Acrobat, Microsoft Word, or other PDF editors may have options to export or save PDFs in different formats. **How do I password-protect a 8080 Microcomputer Experiments PDF?** Most PDF editing software allows you to add password protection. In Adobe Acrobat, for instance, you can go to "File" -> "Properties" -> "Security" to set a password to restrict access or editing capabilities. Are there any free alternatives to Adobe Acrobat for working with PDFs? Yes, there are many free alternatives for working with PDFs, such as: LibreOffice: Offers PDF editing features. PDFsam: Allows splitting, merging, and editing PDFs. Foxit Reader: Provides basic PDF viewing and editing capabilities. How do I compress a PDF file? You can use online tools like Smallpdf, ILovePDF, or desktop software like Adobe Acrobat to compress PDF files without significant quality loss. Compression reduces the file size, making it easier to share and download. Can I fill out forms in a PDF file? Yes, most PDF viewers/editors like Adobe Acrobat, Preview (on Mac), or various online tools allow you to fill out forms in PDF files by selecting text fields and entering information. Are there any restrictions when working with PDFs? Some PDFs might have restrictions set by their creator, such as password protection, editing restrictions, or print restrictions. Breaking these restrictions might require specific software or tools, which may or may not be legal depending on the circumstances and

local laws.

**Find 8080 Microcomputer Experiments :**

**abraham lincoln a press portrait journalists lincoln**

abducted from fire creek

about hawaii's volcanoes

**aborted good times vhs 5 pack**

abiding word an anthology of doctri volume 3

abandoned to lust sexual slander and ancient christianity

**abominable snowman 1st edition**

aa street by street stevenage

*able a poem*

abracadabra cello way to learn

*abbi make or break*

abrakadabry dekodirovka smysla

about the ocean we both read

**abam vaisnavaism sociological perspectives**

abebment tools for recreational therapy red 1 abebment tools for recreational therapy

**8080 Microcomputer Experiments :**

how to learn english in a quarter of the time with the callan method - Jun 02 2022

web jun 24 2023 the callan method stage 12 pdf is the last stage of the method which covers advanced topics such as idioms phrasal verbs passive voice reported speech conditionals and more it also includes exercises and revision tests to help you consolidate your knowledge and prepare for exams such as ielts or toefl

**callan method 12 pdf 39pus2aohdh0 e book library** - Aug 16 2023

web student s book stage 12 english in a quarter of the time the callan method was first developed and published in 1960 by r k t callan this edition was published for the international market in 2013

*callan method 1 12 new edition learning english together* - Mar 31 2022

web nov 22 2015 the callan method offers learners lots of speaking and listening practice in the classroom the method

consists of 12 levels or stages together these 12 stages take learners of english from the level of complete beginner all the way to advanced c1 purchase callan method 1 12 new edition from amazon com dear user

**the callan flex english** - Aug 04 2022

web list of callan method materials 1 stages 1 to 12 of the method that can be individually or collectively downloaded from the callan method website callan co uk 2 audio to accompany 11 stages 3 demonstration dvd showing how the method is taught 4 callan method handbook giving lesson instructions and information about the method

*callan method tÜrkİye callan akreditasyonlu dil okulu* - May 13 2023

web stage 12 c1 advanced advanced seviyede kelime öğrenmeye devam ederken bir yandan da daha önceki bölümlerde öğrendiklerinizi pekiştirirsiniz pratik neticesi artık kendinizi ana dili İngilizce olan birisiyle çok benzer iletişim kurabilen seviyeye ulaşırsınız

*stage 12 callan school barcelona* - Feb 27 2022

web stage 12 food idioms stage 9 stage 10 stage 11 stage 12 stage 13 idioms forking brilliant idioms can come about from almost anything and we have quite a few relating to such simple things as items we eat with and from most of which are very commonly used in the language look in your kitchen drawer and download exercise

callan method 12 levels 2012 edition tienganhedu - Apr 12 2023

web may 9 2021 callan method the callan method general english course consists of 12 levels or stages and caters for all learners from total beginner to advanced it is taught at callan accredited schools and online partners by callan registered teachers and through callan online

**callan english callan method organisation** - Nov 07 2022

web callan english the newly updated callan english course consists of 12 levels or stages and caters for all learners from total beginner to advanced improved and modernised in 2023 the course is aligned with the cefr and covers all grammar and vocabulary up to c1 level

*students callan callan method organisation* - Oct 06 2022

web here you can revise what you have learned in your callan method classes repeat as many times as you want at your own speed audio and video is recorded by real callan method teachers includes exercises from the complete callan method stages 1 to 12

*callan method online* - Dec 08 2022

web Örnek derslerde görüldüğü gibi metot 12 yaşından büyük herkes ve her seviyede olanlar için uygundur başlangıç sıfır seviye seviyesinden başlayanlar için haftada 2 3 ders ile 3 5 ay orta ve ileri seviyelerden başlayanlar için daha az sürmektedir callan method online hızlı İngilizce konuşma kursu callan

**callan method stage 12 pdf callan method stage 12 pdf indir** - Jul 15 2023

web callan method stage 12 pdf arama sonuçları pdf arama ve indirme motoru

callan method stage 12 didizoto s weblog - Jan 29 2022

web jul 18 2016 callan method stage 12 countless make a sentence with thw word countless please i called the hospital countless times but couldn t get through gardening lawn in your country do people often take up gardening in their retirement yes in my country people often take up gardening in their retirement

**course callan method stage 12** ██████████ - May 01 2022

web teachers book and guide not for the students skip section links section links

set callan method 12 levels filezn - Dec 28 2021

web callan method 1 12 book audio cd student s book teacher s book audio cd download is for vip member only callan method 1 student s book new edition pdf callan method 1 student s book new edition cd rar callan method 1 teacher s book new edition pdf callan method 2 student s book new edition pdf callan method 2 student s

**callan method türkiye** - Jul 03 2022

web callan method türkiye

**callan online** - Jan 09 2023

web callan method online english business english and spanish language lessons with native speaking teachers stop studying start speaking

*callan method stage 12 youtube* - Mar 11 2023

web callan method stage 12 youtube 0 00 6 07 callan method stage 12 2 390 views aug 17 2021 45 dislike share save teryl yee 183 subscribers show more native camp callan method full

*callan method lesson stage 12 at native camp youtube* - Sep 05 2022

web about press copyright contact us creators advertise developers terms privacy policy safety how youtube works test new features nfl sunday ticket press copyright

**how many levels the callan method has callan school barcelona** - Feb 10 2023

web callan method levels the callan method has 12 levels from beginner to advanced in this table you will see what you will learn in each level of the method as well as the comparison of each level with the levels of the cefr common european framework of reference for languages

**download pdf callan method 12 pdf 39pus2aohdh0 e** - Jun 14 2023

web download callan method 12 pdf type pdf size 1mb download as pdf download as docx download as pptx download original pdf this document was uploaded by user and they confirmed that they have the permission to share it if you are

author or own the copyright of this book please report to us by using this dmca report form report dmca

**instructor s solutions manual for john e freund s mathematical** - Aug 16 2023

web nov 16 2021 instructor s solutions manual for john e freund s mathematical statistics with applications pdf addeddate 2021 11 16 19 33 15 identifier instructors solutions manual for john e freunds mathematical statistics with ap identifier ark [john e freund s mathematical statistics with applications 8th](#) - Jul 03 2022

web jul 14 2021 john e freund s mathematical statistics with applications 8th edition provides a calculus based introduction to the theory and application of statistics based on comprehensive coverage that reflects the latest in statistical thinking the teaching of statistics and current practices it is ideal for 2 semester or 3 quarter calculus based [solutions manual of john e freund s mathematical statistics](#) - May 01 2022

web john e freund s mathematical statistics with applications eighth edition provides a calculus based introduction to the theory and application of statistics based on comprehensive coverage that reflects the latest in statistical thinking the teaching of statistics and current practices

*solutions manual of john e freund s mathematical statistics* - Aug 04 2022

web download solutions manual of john e freund s mathematical statistics with applications 1st edition by miller i miller m in pdf format this book is under the category statistics and bearing the isbn13 isbn10 [john e freund s mathematical statistics with applications solution](#) - Feb 10 2023

web get instant access to our step by step john e freund s mathematical statistics with applications solutions manual our solution manuals are written by chegg experts so you can be assured of the highest quality [john e freund s mathematical statistics with applications](#) - Jun 14 2023

web our resource for john e freund s mathematical statistics with applications includes answers to chapter exercises as well as detailed information to walk you through the process step by step with expert solutions for thousands of practice problems you can take the guesswork out of studying and move forward with confidence

**mathematical statistics with applications solution manual** - Dec 08 2022

web mathematical statistics with applications solution manual chapter 1 free download as pdf file pdf text file txt or read online for free solutions for chapter 1 john e freund s mathematical statistics with applications [solution manual john e freund s mathematical statistics with](#) - Jan 29 2022

web mar 18 2017 solution manual john e freund s mathematical statistics with applications 8th ed miller 2665 views marks gmail com mar 18 2017 10 31 17 pm to list of solutions manuals and test

**solutions for john e freund s mathematical statistics with** - May 13 2023

web john e freund s mathematical statistics with applications solutions for john e freund s mathematical statistics with

applications 8th irwin miller marylees miller get access to all of the answers and step by step video explanations to this book and 5 000 more try numerade free join free today chapters 1 introduction 0 sections 57 questions

*solution manual mathematical statistics 7th edition john scribd* - Jan 09 2023

web john e freund mathematical statistics solutions manual freund manual john e freund s mathematical statistics with applications 7th edition solution manual for john e mathematical statistics freund solution manual rar file zip file john e freund s mathematical statistics with applications 7th edition miller miller 2004

**john e freund s mathematical statistics with applications** - Sep 05 2022

web john e freund s mathematical statistics with applications eighth edition provides a calculus based introduction to the theory and application of statistics based on comprehensive coverage that reflects the latest in statistical thinking the teaching of statistics and current practices

**solutions manual for john e teaching resources hub facebook** - Mar 31 2022

web solutions manual for john e freund s mathematical statistics with applications 8th edition by irwin miller marylees miller by purchasing this solutions manual for john e freund s mathematical statistics with applications 8th edition by irwin miller marylees miller you will get file with answers

*mathematical statistics john freund solutions manual* - Dec 28 2021

web john e freund s mathematical statistics with applications miller freund s probability and statistics for engineers global edition john e freund s mathematical statistics with applications this text is designed primarily for a two page 1 7 september 05 2023 mathematical statistics john freund solutions manual

**chapter 3 solutions john e freund s mathematical statistics** - Nov 07 2022

web access john e freund s mathematical statistics with applications 8th edition chapter 3 solutions now our solutions are written by chegg experts so you can be assured of the highest quality

**john e freunds mathematical statistics with applications** - Jun 02 2022

web john e freunds mathematical statistics with applications pdf john e freunds mathematical statistics with applications sophia tantai academia edu academia edu no longer supports internet explorer

**mathematical statistics by john e freund open library** - Feb 27 2022

web aug 17 2021 mathematical statistics by john e freund 1992 prentice hall edition in english 5th ed john e freund *solution manual for john e freund s mathematical statistics* - Mar 11 2023

web this is the solution manual for john e freund s mathematical statistics with applications 8 e miller john e freund s mathematical statistics with applications eighth edition provides a calculus based introduction to the theory and application of statistics based on comprehensive coverage that reflects the latest in statistical

*mathematical statistics freund john e free download* - Oct 06 2022

web mathematical statistics by freund john e publication date 1971 topics mathematical statistics publisher englewood cliffs n j prentice hall collection inlibrary printdisabled internetarchivebooks contributor internet archive language english includes bibliographies access restricted item true addeddate 2015 08 24 20 26 12 110723

*john e freund s mathematical statistics with applications 8th chegg* - Apr 12 2023

web what are chegg study step by step john e freund s mathematical statistics with applications 8th edition solutions manuals chegg solution manuals are written by vetted chegg statistics and probability experts and rated by students so you know you re getting high quality answers

**solutions manual for john e freunds mathematical statistics scribd** - Jul 15 2023

web solutions manual for john e freunds mathematical statistics with applications 8th edition by miller full download downloadlink org p solutions manual for john e freunds mathematical statistics with applications 8th editi

**prima plus schulerbuch a2 1 amazon com tr** - Oct 21 2022

web prima plus erflft alle ansprache an motivierenden unterricht und leitet die schler innen zum aktiven selbststndigen lernen an das lehrwerk vermittelt ein modernes bild der deutschsprachigen lnder und schult die interkulturelle kompetenz

*hellenika de gruyter* - Mar 26 2023

web doi doi org 10 1515 9783112348383 isbn 9783112348383 isbn 9783112348376 subject philosophy subject philosophy other publisher de gruyter

*hellenika ksenophon pelikankitabevi com tr* - Nov 21 2022

web hellenika bilimsel tarih yazıcılığının öncüsü olarak kabul edilen thukydidés in tarihçiliğinden büyük ölçüde etkilenmiş ksenophon un kaleme aldığı hellenika th

*hellenika schülerbuch bücher pdf* - Feb 10 2022

web apr 10 2020 hellenika schülerbuch es gibt einige bücher geschrieben die sie tief berühren geschichten die ihren weg heimlich in dein herz arbeiten und bettet sich dort sicher und sich weigern zu zerstreuen so dass sie völlig außer atem und völlig mit wunderbarer ehrfurcht gefangen

*hellenika ksenophon fiyat satın al d r* - May 28 2023

web hellenika kitap açıklaması bilimsel tarih yazıcılığının öncüsü olarak kabul edilen thukydidés in tarihçiliğinden büyük ölçüde etkilenmiş ksenophon un kaleme aldığı hellenika thukydidés in peloponnesos savaşlarını anlattığı eserinin devamı niteliğindedir

*hellenika by xenophon overdrive ebooks audiobooks and* - Jul 18 2022

web feb 20 2014 hier setzt xenophon ein schüler des sokrates ein seine hellenika in sieben büchern die einzige vollständig

erhaltene fortsetzung des thukydidés ist die darstellung der griechischen geschichte vom letzten teil des peleponnesischen krieges bis zur schlacht von mantinea im jahre 362

[hellenika de gruyter](#) - Jun 28 2023

web feb 20 2014 seine hellenika in sieben büchern die einzige vollständig erhaltene fortsetzung des thukydidés ist die darstellung der griechischen geschichte vom letzten teil des peleponnesischen krieges bis zur schlacht von mantinea im jahre 362

[h g xenophon hellenika griechisch deutsch philpapers](#) - May 16 2022

web hier setzt xenophon ein schüler des sokrates ein seine hellenika in sieben büchern die einzige vollständig erhaltene fortsetzung des thukydidés ist die darstellung der griechischen geschichte vom letzten teil des peleponnesischen krieges bis zur schlacht von mantinea im jahre 362

[hellenika jahrbuch wikipedia](#) - Apr 26 2023

web hellenika jahrbuch für die freunde griechenlands ist eine seit 1966 erscheinende neogrätistische fachzeitschrift die von isidora rosenthal kamarinea professorin für neogrätistik an der universität bochum herausgegeben wurde

**hellenika griechisch deutsch sammlung tusculum** - Jan 24 2023

web seine hellenika in sieben büchern die einzige vollständig erhaltene fortsetzung des thukydidés ist die darstellung der griechischen geschichte vom letzten teil des peleponnesischen krieges bis zur schlacht von mantinea im jahre 362 leitgedanke des werkes ist der aufstieg spartas zur hegemonialmacht und sein niedergang

[hellenika griechisch deutsch xenophon google books](#) - Sep 19 2022

web since 1923 the sammlung tusculum has published authoritative editions of greek and latin works together with a german translation the original texts are comprehensively annotated and feature an introductory chapter in the new volumes additional essays delve into specific aspects of the works illuminating their historical context and reception to the

**bücher hellenika schülerbuch lesen online** - Apr 14 2022

web lesen zitate hellenika schülerbuch online lesen gratis hellenika schülerbuch bücher online lesen app hellenika schülerbuch hellenika s

**arabuluculuk sınavına hazırlık soru bankası 1 baskı on iki** - Jan 12 2022

web Ökbs başöğretmenlik sınavı Çözümlü soru bankası akademi denizi 149 00 tl 111 75 tl 310 adet satıldı arabuluculuk sınavına hazırlık soru bankası 1 baskı on iki levha yayıncılık 9786254321962 oğuz atalay Çiğdem yazıcı

**hellenika neue folge universität münster** - Dec 23 2022

web hellenika neue folge mit dem titel jahrbuch für griechische kultur und deutsch griechische beziehungen neue folge ist 2006 der erste band des renommierten jahrbuch hellenika als neue folge erschienen der zweite band ist soeben veröffentlicht

worden herausgegeben wird die neue folge von der vereinigung der deutsch

**hellenika schülerbuch hellenika einführung in die kultur der** - Aug 19 2022

web for instance is the book eligible hellenika schülerbuch hellenika einführung in die kultur der hellenen by gebundene  
ausgabe this book gives the reader new knowledge and experience this online book is made in simple word

**hellenika einführung in die kultur der hellenen schulbuch** - Jul 30 2023

web eine grundlegende und umfassende einführung in die kultur der hellenen und ihr fortwirken bis zur moderne das werk  
liefert allen interessierten verlässlich geordnete sachinformationen und führt zum verständnis griechischer sprache und  
kultur

**schulbuch 2 kağıt kapak 23 haziran 2017 amazon com tr** - Feb 22 2023

web schulbuch 2 tilgner bianca henrichs jutta balyos verena amazon com tr kitap

[hellenika schulerbuch pdf download only](#) - Mar 14 2022

web hellenika schulerbuch pdf right here we have countless book hellenika schulerbuch pdf and collections to check out we  
additionally find the money for variant types and after that type of the books to browse the tolerable book fiction history  
novel scientific research as without difficulty as various new sorts of books are readily open here

*hellenica e kitap xenophon pdf d r* - Jun 16 2022

web hellenica e kitap açıklaması xenophon the athenian was born 431 b c he was a pupil of socrates he marched with the  
spartans and was exiled from athens sparta gave him land and property in scillus where he lived for many years before  
having to move once more to settle in corinth he died in 354 b c

**hellenika schulbuch cornelsen** - Aug 31 2023

web hellenika schulbuch 9783464731116 jetzt bestellen