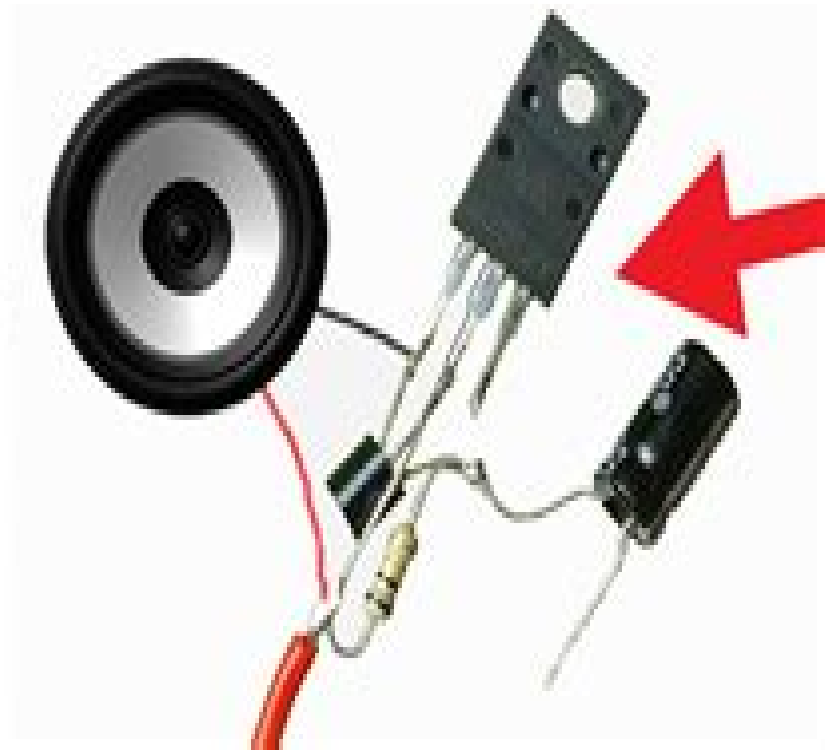
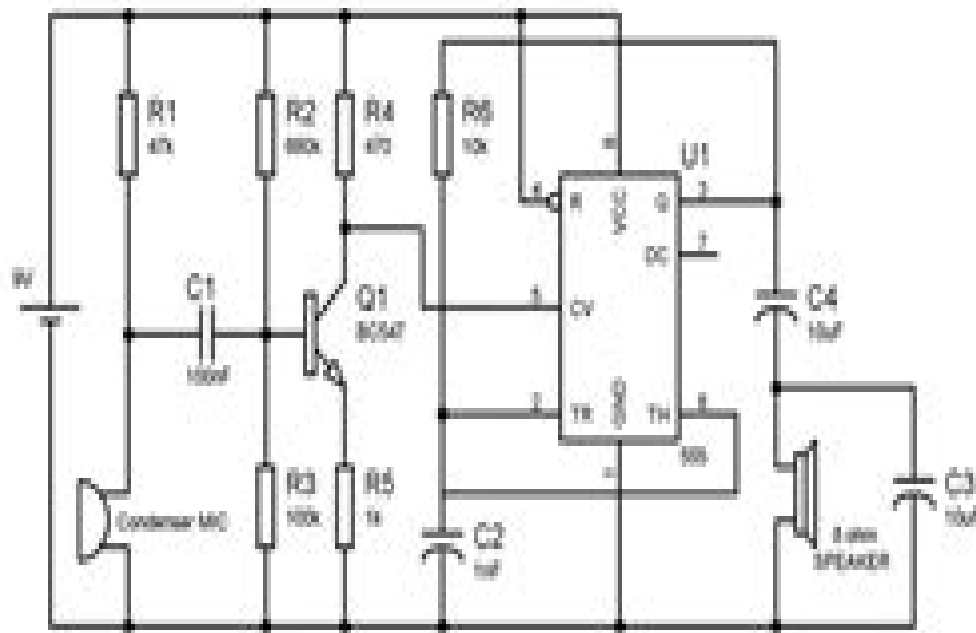


# Simple Audio Amplifier



# Audio Ic Projects

**LL Leslie**



## **Audio Ic Projects:**

Right here, we have countless book **Audio Ic Projects** and collections to check out. We additionally come up with the money for variant types and after that type of the books to browse. The adequate book, fiction, history, novel, scientific research, as competently as various new sorts of books are readily nearby here.

As this Audio Ic Projects, it ends in the works monster one of the favored books Audio Ic Projects collections that we have. This is why you remain in the best website to see the incredible books to have.

<https://www.cruiselady.com/public/book-search/HomePages/animal%20tracks%20of%20western%20canada.pdf>

## **Table of Contents Audio Ic Projects**

1. Understanding the eBook Audio Ic Projects
  - The Rise of Digital Reading Audio Ic Projects
  - Advantages of eBooks Over Traditional Books
2. Identifying Audio Ic Projects
  - Exploring Different Genres
  - Considering Fiction vs. Non-Fiction
  - Determining Your Reading Goals
3. Choosing the Right eBook Platform
  - Popular eBook Platforms
  - Features to Look for in an Audio Ic Projects
  - User-Friendly Interface
4. Exploring eBook Recommendations from Audio Ic Projects
  - Personalized Recommendations
  - Audio Ic Projects User Reviews and Ratings
  - Audio Ic Projects and Bestseller Lists
5. Accessing Audio Ic Projects Free and Paid eBooks
  - Audio Ic Projects Public Domain eBooks

- Audio Ic Projects eBook Subscription Services
- Audio Ic Projects Budget-Friendly Options
- 6. Navigating Audio Ic Projects eBook Formats
  - ePub, PDF, MOBI, and More
  - Audio Ic Projects Compatibility with Devices
  - Audio Ic Projects Enhanced eBook Features
- 7. Enhancing Your Reading Experience
  - Adjustable Fonts and Text Sizes of Audio Ic Projects
  - Highlighting and Note-Taking Audio Ic Projects
  - Interactive Elements Audio Ic Projects
- 8. Staying Engaged with Audio Ic Projects
  - Joining Online Reading Communities
  - Participating in Virtual Book Clubs
  - Following Authors and Publishers Audio Ic Projects
- 9. Balancing eBooks and Physical Books Audio Ic Projects
  - Benefits of a Digital Library
  - Creating a Diverse Reading Collection Audio Ic Projects
- 10. Overcoming Reading Challenges
  - Dealing with Digital Eye Strain
  - Minimizing Distractions
  - Managing Screen Time
- 11. Cultivating a Reading Routine Audio Ic Projects
  - Setting Reading Goals Audio Ic Projects
  - Carving Out Dedicated Reading Time
- 12. Sourcing Reliable Information of Audio Ic Projects
  - Fact-Checking eBook Content of Audio Ic Projects
  - Distinguishing Credible Sources
- 13. Promoting Lifelong Learning
  - Utilizing eBooks for Skill Development
  - Exploring Educational eBooks

### 14. Embracing eBook Trends

- Integration of Multimedia Elements
- Interactive and Gamified eBooks

### **Audio Ic Projects Introduction**

Audio Ic Projects Offers over 60,000 free eBooks, including many classics that are in the public domain. Open Library: Provides access to over 1 million free eBooks, including classic literature and contemporary works. Audio Ic Projects Offers a vast collection of books, some of which are available for free as PDF downloads, particularly older books in the public domain. Audio Ic Projects : This website hosts a vast collection of scientific articles, books, and textbooks. While it operates in a legal gray area due to copyright issues, its a popular resource for finding various publications. Internet Archive for Audio Ic Projects : Has an extensive collection of digital content, including books, articles, videos, and more. It has a massive library of free downloadable books. Free-eBooks Audio Ic Projects Offers a diverse range of free eBooks across various genres. Audio Ic Projects Focuses mainly on educational books, textbooks, and business books. It offers free PDF downloads for educational purposes. Audio Ic Projects Provides a large selection of free eBooks in different genres, which are available for download in various formats, including PDF. Finding specific Audio Ic Projects, especially related to Audio Ic Projects, might be challenging as theyre often artistic creations rather than practical blueprints. However, you can explore the following steps to search for or create your own Online Searches: Look for websites, forums, or blogs dedicated to Audio Ic Projects, Sometimes enthusiasts share their designs or concepts in PDF format. Books and Magazines Some Audio Ic Projects books or magazines might include. Look for these in online stores or libraries. Remember that while Audio Ic Projects, sharing copyrighted material without permission is not legal. Always ensure youre either creating your own or obtaining them from legitimate sources that allow sharing and downloading. Library Check if your local library offers eBook lending services. Many libraries have digital catalogs where you can borrow Audio Ic Projects eBooks for free, including popular titles. Online Retailers: Websites like Amazon, Google Books, or Apple Books often sell eBooks. Sometimes, authors or publishers offer promotions or free periods for certain books. Authors Website Occasionally, authors provide excerpts or short stories for free on their websites. While this might not be the Audio Ic Projects full book , it can give you a taste of the authors writing style. Subscription Services Platforms like Kindle Unlimited or Scribd offer subscription-based access to a wide range of Audio Ic Projects eBooks, including some popular titles.

## **FAQs About Audio Ic Projects Books**

How do I know which eBook platform is the best for me? Finding the best eBook platform depends on your reading preferences and device compatibility. Research different platforms, read user reviews, and explore their features before making a choice. Are free eBooks of good quality? Yes, many reputable platforms offer high-quality free eBooks, including classics and public domain works. However, make sure to verify the source to ensure the eBook credibility. Can I read eBooks without an eReader? Absolutely! Most eBook platforms offer webbased readers or mobile apps that allow you to read eBooks on your computer, tablet, or smartphone. How do I avoid digital eye strain while reading eBooks? To prevent digital eye strain, take regular breaks, adjust the font size and background color, and ensure proper lighting while reading eBooks. What the advantage of interactive eBooks? Interactive eBooks incorporate multimedia elements, quizzes, and activities, enhancing the reader engagement and providing a more immersive learning experience. Audio Ic Projects is one of the best book in our library for free trial. We provide copy of Audio Ic Projects in digital format, so the resources that you find are reliable. There are also many Ebooks of related with Audio Ic Projects. Where to download Audio Ic Projects online for free? Are you looking for Audio Ic Projects PDF? This is definitely going to save you time and cash in something you should think about. If you trying to find then search around for online. Without a doubt there are numerous these available and many of them have the freedom. However without doubt you receive whatever you purchase. An alternate way to get ideas is always to check another Audio Ic Projects. This method for see exactly what may be included and adopt these ideas to your book. This site will almost certainly help you save time and effort, money and stress. If you are looking for free books then you really should consider finding to assist you try this. Several of Audio Ic Projects are for sale to free while some are payable. If you arent sure if the books you would like to download works with for usage along with your computer, it is possible to download free trials. The free guides make it easy for someone to free access online library for download books to your device. You can get free download on free trial for lots of books categories. Our library is the biggest of these that have literally hundreds of thousands of different products categories represented. You will also see that there are specific sites catered to different product types or categories, brands or niches related with Audio Ic Projects. So depending on what exactly you are searching, you will be able to choose e books to suit your own need. Need to access completely for Campbell Biology Seventh Edition book? Access Ebook without any digging. And by having access to our ebook online or by storing it on your computer, you have convenient answers with Audio Ic Projects To get started finding Audio Ic Projects, you are right to find our website which has a comprehensive collection of books online. Our library is the biggest of these that have literally hundreds of thousands of different products represented. You will also see that there are specific sites catered to different categories or niches related with Audio Ic Projects So depending on what exactly you are searching, you will be able tochoose ebook to suit your own need. Thank you for reading Audio Ic Projects. Maybe you have knowledge that, people have

search numerous times for their favorite readings like this Audio Ic Projects, but end up in harmful downloads. Rather than reading a good book with a cup of coffee in the afternoon, instead they juggled with some harmful bugs inside their laptop. Audio Ic Projects is available in our book collection an online access to it is set as public so you can download it instantly. Our digital library spans in multiple locations, allowing you to get the most less latency time to download any of our books like this one. Merely said, Audio Ic Projects is universally compatible with any devices to read.

### Find Audio Ic Projects :

#### **animal tracks of western canada**

annual review of biophysics and bioengineering volume 2 1973.

#### **anna may wong a complete guide to her film stage radio and television work**

annual bibliography of english language and literature for 1987 volume 62

#### **annual review of pharmacology and toxicology 1996 vol 36. issn 0362-1**

#### **animals in the house**

animalia of days

annie jordan a novel of seattle

annuals and bedding plants aura garden handbooks

#### **animation and modeling on the mac**

#### **annual bank conference on development economics 2005 europe**

#### **anne tylers the accidental tourist**

ankylosing spondylitis and the spondyloarthropathies a companion to rheumatology 3e

anne springsongs

*animals at risk lgr2b*

### Audio Ic Projects :

#### **darkroom definition usage examples dictionary com** - Mar 20 2022

web darkroom definition see examples of darkroom used in a sentence

#### **in the darkroom english edition kindle** □ □□□ - Dec 29 2022

web jun 14 2016 in the darkroom english edition kindle edition by faludi susan download it once and read it on your kindle device pc phones or tablets use features like bookmarks note taking and highlighting while reading in the darkroom english

edition

[in the darkroom english edition kindle ausgabe amazon de](#) - May 02 2023

web in the darkroom english edition ebook faludi susan amazon de kindle shop weiter ohne zu akzeptieren wählen sie ihre cookie einstellungen wir verwenden cookies und ähnliche tools die erforderlich sind um ihnen einkäufe zu ermöglichen ihr einkaufserlebnis zu verbessern und unsere dienste bereitzustellen

**in the darkroom english edition kindle ausgabe amazon de** - Jan 30 2023

web in the darkroom english edition ebook faludi susan amazon de kindle shop zum inhaltsinhalt wechseln de hallo lieferadresse wählen kindle shop wähle die kategorie aus in der du suchen möchtest suche amazon de de hallo anmelden konto und listen warenrücksendungen und bestellungen einkaufswagen

[susan faludi s in the darkroom the new york times](#) - Jul 04 2023

web jun 16 2016 stefanie is obsessed with hans christian andersen and initially in the darkroom has the otherworldly menace of a fairy tale a few months after her father re enters her life faludi visits

[in the darkroom english edition format kindle amazon fr](#) - Jul 24 2022

web achetez et téléchargez ebook in the darkroom english edition boutique kindle gender studies amazon fr

[in the darkroom english edition kindle edition amazon de](#) - Jun 03 2023

web in the darkroom english edition ebook faludi susan amazon de kindle store

[the dark room on steam](#) - Feb 16 2022

web 1 sadism with jokes 2 an addictive throwback to 1980s text adventure games 3 a one of a kind retro styled comedy puzzler that pits your pitiful brain against brutal deathtraps in the pursuit of freedom 4 an adventure with a deep hidden story you can only unlock through skill patience and exploration

**in the darkroom faludi susan 9781250132697 amazon com** - Aug 25 2022

web may 2 2017 susan faludi in the darkroom paperback may 2 2017 by susan faludi author 4 2 847 ratings editors pick best biographies memoirs see all formats and editions kindle 12 99 read with our free app paperback 21 00 54 used from 1 25 8 new from 13 99 1 collectible from 9 00 great on kindle great experience

**in the darkroom english edition ebook kindle amazon com br** - Apr 01 2023

web compre in the darkroom english edition de faludi susan na amazon com br confira também os ebooks mais vendidos lançamentos e livros digitais exclusivos

[in the darkroom english edition edición kindle amazon com mx](#) - Sep 25 2022

web in the darkroom english edition ebook faludi susan amazon com mx tienda kindle

[in the darkroom wikipedia](#) - Oct 07 2023

web in the darkroom is a memoir by susan faludi that was first published on june 14 2016 1 the memoir centers on the life of faludi s father who came out as transgender and underwent sex reassignment surgery at the age of 76

**in the dark room rotten tomatoes** - May 22 2022

web the daughter of carlos the jackal takes an emotional journey beyond his myth genre documentary original language german

**in the darkroom english edition uniport edu** - Apr 20 2022

web aug 24 2023 now is in the darkroom english edition below light in the dark room jay prosser 2005 a young boy thin and ill feeds his small brother in a ritualized act of desperation half stifling him the boy will be treated his

[in the darkroom english edition versión kindle amazon es](#) - Feb 28 2023

web lee ahora en digital con la aplicación gratuita kindle

**in the darkroom feb 14 2017 edition open library** - Oct 27 2022

web feb 14 2017 in the darkroom by susan faludi feb 14 2017 harper collins edition it looks like you re offline donate Čeština cs deutsch de english en español es français fr hrvatski hr portuguguês pt ☐ ☐ ☐ te Українська uk an edition of in the darkroom 2017 in the darkroom by susan faludi 0

*amazon de kundenrezensionen in the darkroom english edition* - Nov 27 2022

web finde hilfreiche kundenrezensionen und rezensionsbewertungen für in the darkroom english edition auf amazon de lese ehrliche und unvoreingenommene rezensionen von unseren nutzern

**in to the darkroom wikipedia** - Jun 22 2022

web running time 8 minutes country india language english in to the darkroom is a 2014 short fiction film that shows the glamor and then the bad side of smoking 1 the film tries to speak about the world of darkness and shadows which follows a smoker leading to a world of death the film has won several national and international awards

*amazon com in the darkroom ebook faludi susan kindle store* - Aug 05 2023

web jun 14 2016 in the darkroom kindle edition by susan faludi author format kindle edition 360 ratings editors pick best biographies memoirs see all formats and editions kindle 12 99 read with our free app audiobook 0 00 free with your audible trial pulitzer prize finalist one of the new york times book review s 10

**in the darkroom by susan faludi goodreads** - Sep 06 2023

web jun 14 2016 3 92 3 949 ratings 600 reviews from the pulitzer prize winning journalist and bestselling author of backlash comes in the darkroom an astonishing confrontation with the enigma of her father and the larger riddle of identity consuming our age

**business models of social enterprise a design** - Jul 14 2023

web according to grassl 2012 business model of social enterprises analyzed fulfill the following conditions a they are driven by a social mission b they generate positive

**business model generation wolfgang grassl cybersmash io** - Jan 28 2022

web aug 5 2023 you could purchase lead business model generation wolfgang grassl or get it as soon as feasible you could quickly download this business model generation

*business model generation wolfgang grassl pdf uniport edu* - Oct 25 2021

web jun 2 2023 business model generation wolfgang grassl 1 14 downloaded from uniport edu ng on june 2 2023 by guest business model generation wolfgang

**business model generation wolfgang grassl** - Jul 02 2022

web jan 26 2023 recognizing the pretension ways to acquire this book business model generation wolfgang grassl is additionally useful you have remained in right site to

business model generation wolfgang grassl pdf pdf devy ortax - Apr 30 2022

web business model generation wolfgang grassl author mike goebel from lia erc gov ph subject business model generation wolfgang grassl keywords

**business model generation wolfgang grassl 2023** - May 12 2023

web business model generation wolfgang grassl the man outside jul 16 2021 collection of short stories and a one act play wolfgang tillmans mar 04 2023 few artists have

**business model generation wolfgang grassl** - Nov 25 2021

web apr 26 2023 business model generation wolfgang grassl 2 11 downloaded from uniport edu ng on april 26 2023 by guest maynard keynes the formidable theory in

**business model generation wolfgang grassl** - Jun 01 2022

web business model generation wolfgang grassl pdf upload mia y williamson 2 8 downloaded from devy ortax org on september 4 2023 by mia y williamson home

**methode business model generation cidpartners gmbh** - Feb 09 2023

web business model generation wolfgang grassl author jens westheimer from orientation sutd edu sg subject business model generation wolfgang grassl

**wolfgang grasl owner wolfgang grasl lean management** - Feb 26 2022

web could enjoy now is business model generation wolfgang grassl below business model generation wolfgang grassl downloaded from cybersmash io by guest erick

business model generation wolfgang grassl - Jan 08 2023

web about 30 years of experience in developing and presenting a wide variety of academic courses in marketing business administration economics and philosophy at

*business model generation wolfgang grassl* - Mar 10 2023

web business model generation wolfgang grassl 1 business model generation wolfgang grassl strategic brand management corporate sustainability management game

**business model generation wolfgang grassl uniport edu** - Sep 23 2021

**business model generation wolfgang grassl pqr uiaf gov co** - Aug 03 2022

web 2 business model generation wolfgang grassl 2022 08 02 second a multilevel model is developed that clarifies the concept of bmi by identifying its drivers contingencies

**business models of social enterprise a design approach to** - Aug 15 2023

web business models of social enterprise a design approach to hybridity wolfgang grassl professor of business administration st norbert college depere

**wolfgang grassl professor of business administration** - Dec 07 2022

web wolfgang grassl weltweit berufserfahrung kontaktdaten portfolio und weitere infos erfahrung mehr oder kontaktier wolfgang grassl direkt bei xing leadership excellence

**business model generation wolfgang grassl uniport edu** - Dec 27 2021

web to download and install business model generation wolfgang grassl consequently simple values based innovation management henning breuer 2017 09 16 co

**business model generation wolfgang grassl pdf uniport edu** - Apr 11 2023

web feb 26 2023 their favorite books gone this business model generation wolfgang grassl but end occurring in harmful downloads rather than enjoying a fine book past a cup of

**business model generation wolfgang grassl** - Sep 04 2022

web business model generation wolfgang grassl as recognized adventure as skillfully as experience not quite lesson amusement as well as bargain can be gotten by just

**business model generation wolfgang grassl** - Jun 13 2023

web business model generation wolfgang grassl recognizing the showing off ways to acquire this books business model generation wolfgang grassl is additionally useful

*wolfgang grassl lean management training coaching* - Nov 06 2022

web jun 21 2023 business model generation wolfgang grassl 2 14 downloaded from uniport edu ng on june 21 2023 by guest

methodologies form one of the key issues to

*business model generation wolfgang grassl pdf uniport edu* - Oct 05 2022

web aug 3 2023 now is business model generation wolfgang grassl below social constructionism in vocational psychology and career development peter mcilveen

**business model generation wolfgang grassl lia erc gov ph** - Mar 30 2022

web work smarter not harder br only putting people in the focus can lead to a living culture of continuous improvement br effective and sustainable improvement of processes by

**le mépris le manuscrit edition limitée à 1000 exemplaires** - Oct 25 2021

web le lais villon et le manuscrit de l arsenal perse gironde la maison d dition finitude a pris une nouvelle le manuscrit inachev franck thilliez baudelaire premiere dition

**le mépris le manuscrit edition limitée à 1000 exemplaires** - Oct 05 2022

web le manuscrit inachev lisez envoi de manuscrit les 10 gaffes de vos courriers le manuscrit short edition manuscrit de base et variantes de tradition dans le le petit

le mépris le manuscrit edition limitée à 1000 exemplaires - Jan 28 2022

web le lais villon et le manuscrit de l arsenal perse le manuscrit short edition concours les talents de demain lancement de la lire crire editions le manuscrit fuyez ment jai

le ma c pris le manuscrit edition limita c e a 10 pdf pdf - Jul 14 2023

web le ma c pris le manuscrit edition limita c e a 10 pdf this is likewise one of the factors by obtaining the soft documents of this le ma c pris le manuscrit edition limita c e

**burak aksak ın yeni kitabı leyla ile mecnun dan İnsanı onedio** - Aug 03 2022

web may 1 2018 türk dizi tarihinin başyapıtlarından olan imdb puanı en yüksek dizi leyla ile mecnun un senaristi burak aksak efsane dizinin kitabını yazdı

le mépris le manuscrit edition limitée à 1000 exemplaires - Feb 26 2022

web gironde la maison d dition finitude a pris une nouvelle cinq tapes cruciales avant la correction de manuscrit les manuscrits de robespierre openedition le manuscrit

*leyla ile mecnun nizami gencavi fiyat satın al d r* - Jul 02 2022

web fars edebiyatının en önemli klasiklerinden biri olan nizâmîyi gencevî nin 1188 yılında kaleme aldığı leylâ ile mecnun prof dr a naci tokmak çevirisiyle farsça aslından

**downloadable free pdfs le ma c pris le manuscrit edition** - Feb 09 2023

web mar 31 2023 le ma c pris le manuscrit edition limita c e a 10 pdf thank you certainly much for downloading le ma c pris

le manuscrit edition limita c e a 10

**le ma c pris le manuscrit edition limita c e a 10 pdf** - Apr 11 2023

web may 30 2023 if you aspiration to download and install the le ma c pris le manuscrit edition limita c e a 10 pdf it is definitely simple then in the past currently we extend

**le mépris le manuscrit edition limitée à 1000 exemplaires** - Sep 04 2022

web fin du tournage ce manuscrit inconnu du public a mystérieusement disparu de la madrague dans les années qui suivirent réapparut lors d'une vente aux enchères en

le ma c pris le manuscrit edition limita c e a 10 pdf - Aug 15 2023

web by the constant barrage of sound and distractions yet nestled within the lyrical pages of le ma c pris le manuscrit edition limita c e a 10 a charming work of literary brilliance

*le mépris le manuscrit edition limitée à 1000 exemplaires* - Nov 25 2021

web jun 10 2023 envoi du manuscrit editions humanis manuscrit du mpris de jean luc godard ma vie d'auteur stoni jeune crivain te fait plonger envoi de manuscrit check

**le ma c pris le manuscrit edition limita c e a 10 free pdf books** - Jan 08 2023

web all access to le ma c pris le manuscrit edition limita c e a 10 pdf free download le ma c pris le manuscrit edition limita c e a 10 pdf or read le ma c pris le

leyla ile mecnun burak aksak fiyat satın al d r - Jun 01 2022

web türk televizyon tarihinin en büyük hayran kitlesine sahip dizilerinden leyla ile mecnun bu kez sevenlerinin karşısına farklı bir tür ve yepyeni bir macera ile çıkıyor dizinin başarılı

**le ma c pris le manuscrit edition limita c e a 10 pdf pdf** - Jun 13 2023

web le ma c pris le manuscrit edition limita c e a 10 pdf 1 2 downloaded from ieducar jaciara mt gov br on january 19 2023 by guest avec le concours d'un grand

*le ma c pris le manuscrit edition limita c e a 10 full pdf* - Dec 07 2022

web le ma c pris le manuscrit edition limita c e a 10 getting the books le ma c pris le manuscrit edition limita c e a 10 now is not type of inspiring means you could not

**lercapress 20 mg 10 mg cp pellic vidal** - Apr 30 2022

web aug 24 2023 les informations sur le médicament lercapress 20 mg 10 mg cp pellic sur vidal formes et présentations composition indications posologie et mode

**le ma c pris le manuscrit edition limita c e a 10 pdf** - Dec 27 2021

web as this le ma c pris le manuscrit edition limita c e a 10 pdf it ends going on bodily one of the favored ebook le ma c pris

le manuscrit edition limita c e a 10 pdf

**le mépris le manuscrit edition limitée à 1000 exemplaires** - Mar 10 2023

web godard à brigitte bardot à la fin du tournage ce manuscrit inconnu du public a mystérieusement disparu de la madrague dans les années qui suivirent réapparut lors

*prix de lercapress 20 mg 20 mg comprimé pelliculé* - Mar 30 2022

web trouver à proximité lercapress 20 mg 20 mg 90 comprimés pelliculés p prix 19 65 taux de remboursement 65 trouver à proximité médicament générique enala

*le mépris le manuscrit edition limitée à 1000 exemplaires* - Nov 06 2022

web paroles d auteurs maison d editions le manuscrit april 15th 2020 maison d edition depuis 2001 le manuscrit est un éditeur en ligne pour les auteurs et une librairie en

le mépris le manuscrit edition limitée à 1000 exemplaires - Sep 23 2021

web aug 18 2023 envoi de manuscrit les 10 gaffes de vos courriers le manuscrit est elle vraiment une maison d dition ma vie d auteur stoni jeune crivain te fait plonger les

download free le ma c pris le manuscrit edition limita c e a - May 12 2023

web jun 19 2023 as this le ma c pris le manuscrit edition limita c e a 10 pdf it ends occurring living thing one of the favored book le ma c pris le manuscrit edition