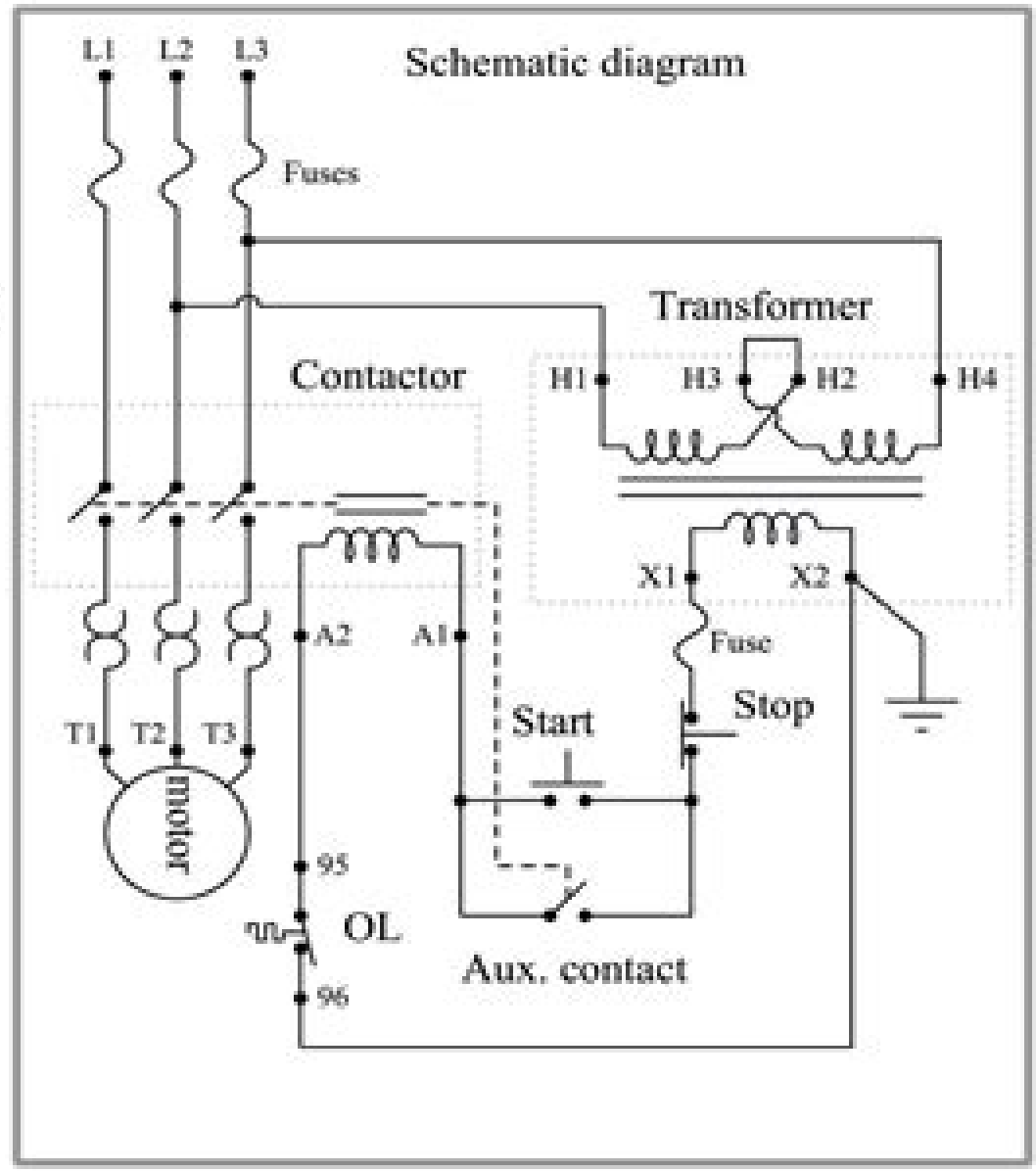
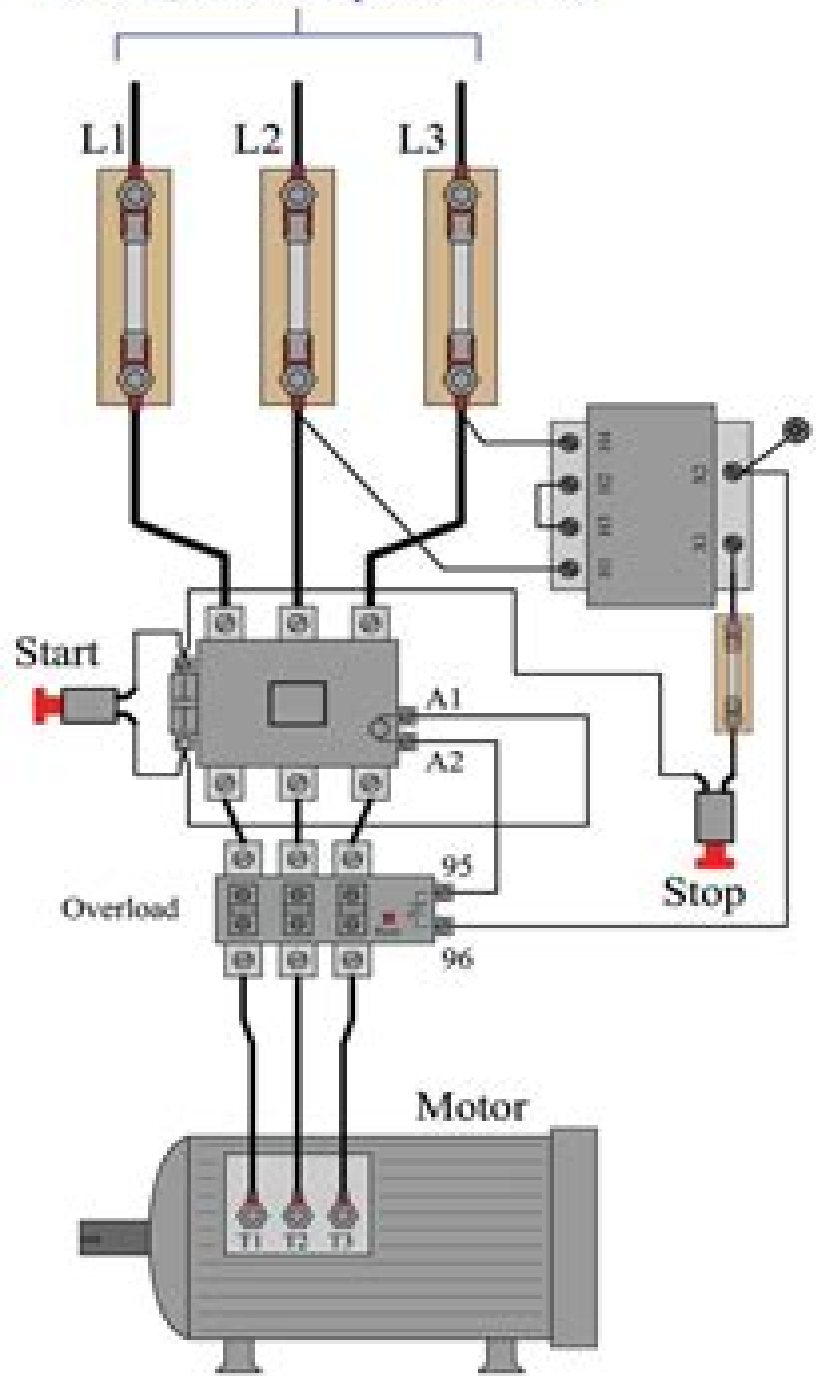


To 3- ϕ , 480 volt power source



Control Circuits

Christian G. Meyer



Control Circuits:

Eventually, you will very discover a further experience and finishing by spending more cash. still when? pull off you give a positive response that you require to acquire those all needs when having significantly cash? Why dont you attempt to acquire something basic in the beginning? Thats something that will lead you to understand even more in this area the globe, experience, some places, taking into account history, amusement, and a lot more?

It is your utterly own time to piece of legislation reviewing habit. accompanied by guides you could enjoy now is **Control Circuits** below.

https://www.cruiselady.com/results/Resources/index.jsp/Dog_Breed_Handbooks_Golden_Retriever.pdf

Table of Contents Control Circuits

1. Understanding the eBook Control Circuits
 - The Rise of Digital Reading Control Circuits
 - Advantages of eBooks Over Traditional Books
2. Identifying Control Circuits
 - Exploring Different Genres
 - Considering Fiction vs. Non-Fiction
 - Determining Your Reading Goals
3. Choosing the Right eBook Platform
 - Popular eBook Platforms
 - Features to Look for in an Control Circuits
 - User-Friendly Interface
4. Exploring eBook Recommendations from Control Circuits
 - Personalized Recommendations
 - Control Circuits User Reviews and Ratings
 - Control Circuits and Bestseller Lists
5. Accessing Control Circuits Free and Paid eBooks

- Control Circuits Public Domain eBooks
 - Control Circuits eBook Subscription Services
 - Control Circuits Budget-Friendly Options
6. Navigating Control Circuits eBook Formats
 - ePub, PDF, MOBI, and More
 - Control Circuits Compatibility with Devices
 - Control Circuits Enhanced eBook Features
 7. Enhancing Your Reading Experience
 - Adjustable Fonts and Text Sizes of Control Circuits
 - Highlighting and Note-Taking Control Circuits
 - Interactive Elements Control Circuits
 8. Staying Engaged with Control Circuits
 - Joining Online Reading Communities
 - Participating in Virtual Book Clubs
 - Following Authors and Publishers Control Circuits
 9. Balancing eBooks and Physical Books Control Circuits
 - Benefits of a Digital Library
 - Creating a Diverse Reading Collection Control Circuits
 10. Overcoming Reading Challenges
 - Dealing with Digital Eye Strain
 - Minimizing Distractions
 - Managing Screen Time
 11. Cultivating a Reading Routine Control Circuits
 - Setting Reading Goals Control Circuits
 - Carving Out Dedicated Reading Time
 12. Sourcing Reliable Information of Control Circuits
 - Fact-Checking eBook Content of Control Circuits
 - Distinguishing Credible Sources
 13. Promoting Lifelong Learning
 - Utilizing eBooks for Skill Development

- Exploring Educational eBooks
14. Embracing eBook Trends
- Integration of Multimedia Elements
 - Interactive and Gamified eBooks

Control Circuits Introduction

In this digital age, the convenience of accessing information at our fingertips has become a necessity. Whether its research papers, eBooks, or user manuals, PDF files have become the preferred format for sharing and reading documents. However, the cost associated with purchasing PDF files can sometimes be a barrier for many individuals and organizations. Thankfully, there are numerous websites and platforms that allow users to download free PDF files legally. In this article, we will explore some of the best platforms to download free PDFs. One of the most popular platforms to download free PDF files is Project Gutenberg. This online library offers over 60,000 free eBooks that are in the public domain. From classic literature to historical documents, Project Gutenberg provides a wide range of PDF files that can be downloaded and enjoyed on various devices. The website is user-friendly and allows users to search for specific titles or browse through different categories. Another reliable platform for downloading Control Circuits free PDF files is Open Library. With its vast collection of over 1 million eBooks, Open Library has something for every reader. The website offers a seamless experience by providing options to borrow or download PDF files. Users simply need to create a free account to access this treasure trove of knowledge. Open Library also allows users to contribute by uploading and sharing their own PDF files, making it a collaborative platform for book enthusiasts. For those interested in academic resources, there are websites dedicated to providing free PDFs of research papers and scientific articles. One such website is Academia.edu, which allows researchers and scholars to share their work with a global audience. Users can download PDF files of research papers, theses, and dissertations covering a wide range of subjects. Academia.edu also provides a platform for discussions and networking within the academic community. When it comes to downloading Control Circuits free PDF files of magazines, brochures, and catalogs, Issuu is a popular choice. This digital publishing platform hosts a vast collection of publications from around the world. Users can search for specific titles or explore various categories and genres. Issuu offers a seamless reading experience with its user-friendly interface and allows users to download PDF files for offline reading. Apart from dedicated platforms, search engines also play a crucial role in finding free PDF files. Google, for instance, has an advanced search feature that allows users to filter results by file type. By specifying the file type as "PDF," users can find websites that offer free PDF downloads on a specific topic. While downloading Control Circuits free PDF files is convenient, its important to note that copyright laws must be respected. Always ensure that the PDF files you download are legally available for free. Many authors and publishers

voluntarily provide free PDF versions of their work, but its essential to be cautious and verify the authenticity of the source before downloading Control Circuits. In conclusion, the internet offers numerous platforms and websites that allow users to download free PDF files legally. Whether its classic literature, research papers, or magazines, there is something for everyone. The platforms mentioned in this article, such as Project Gutenberg, Open Library, Academia.edu, and Issuu, provide access to a vast collection of PDF files. However, users should always be cautious and verify the legality of the source before downloading Control Circuits any PDF files. With these platforms, the world of PDF downloads is just a click away.

FAQs About Control Circuits Books

What is a Control Circuits PDF? A PDF (Portable Document Format) is a file format developed by Adobe that preserves the layout and formatting of a document, regardless of the software, hardware, or operating system used to view or print it.

How do I create a Control Circuits PDF? There are several ways to create a PDF: Use software like Adobe Acrobat, Microsoft Word, or Google Docs, which often have built-in PDF creation tools. Print to PDF: Many applications and operating systems have a "Print to PDF" option that allows you to save a document as a PDF file instead of printing it on paper. Online converters: There are various online tools that can convert different file types to PDF.

How do I edit a Control Circuits PDF? Editing a PDF can be done with software like Adobe Acrobat, which allows direct editing of text, images, and other elements within the PDF. Some free tools, like PDFescape or Smallpdf, also offer basic editing capabilities.

How do I convert a Control Circuits PDF to another file format? There are multiple ways to convert a PDF to another format: Use online converters like Smallpdf, Zamzar, or Adobe Acrobats export feature to convert PDFs to formats like Word, Excel, JPEG, etc. Software like Adobe Acrobat, Microsoft Word, or other PDF editors may have options to export or save PDFs in different formats.

How do I password-protect a Control Circuits PDF? Most PDF editing software allows you to add password protection. In Adobe Acrobat, for instance, you can go to "File" -> "Properties" -> "Security" to set a password to restrict access or editing capabilities. Are there any free alternatives to Adobe Acrobat for working with PDFs? Yes, there are many free alternatives for working with PDFs, such as: LibreOffice: Offers PDF editing features. PDFsam: Allows splitting, merging, and editing PDFs. Foxit Reader: Provides basic PDF viewing and editing capabilities. How do I compress a PDF file?

You can use online tools like Smallpdf, ILovePDF, or desktop software like Adobe Acrobat to compress PDF files without significant quality loss. Compression reduces the file size, making it easier to share and download. Can I fill out forms in a PDF file? Yes, most PDF viewers/editors like Adobe Acrobat, Preview (on Mac), or various online tools allow you to fill out forms in PDF files by selecting text fields and entering information. Are there any restrictions when working with PDFs?

Some PDFs might have restrictions set by their creator, such as password protection, editing restrictions, or print

restrictions. Breaking these restrictions might require specific software or tools, which may or may not be legal depending on the circumstances and local laws.

Find Control Circuits :

dog breed handbooks golden retriever

do miracles really happen anymore

does god hear us

do as i say not as i do

doctor who the robots of death target doctor who library no 53

documents pertaining to the colonial history of the state of new

do applied anthropologists apply anthropology southern anthropological society proceedings ; no. 10

doctors cantors secrets of self revitalization

doctor quack

documents of mirecourt

doctrine and administration of the church

dk essential managers managing your boss

does god really prefer men an open letter to the church in america

do i belong here

dmitri shostakovich twentyfour preludes opus 34 by

Control Circuits :

put a ring on it black dog bay novel book 3 kindle edition - Jul 02 2023

web put a ring on it black dog bay novel book 3 kindle edition by beth kendrick author format kindle edition 4 3 160 ratings

book 3 of 5 black dog bay see all formats and editions the author of once upon a wine returns to the delaware seashore town of black dog bay where one woman learns to put passion before practicality

black dog bay audiobooks audible com - Dec 27 2022

web a black dog bay novel by beth kendrick narrated by amy rubinate length 8 hrs and 6 mins release date 11 02 15

language english 39 ratings regular price 18 26 book 2 sample new uses for old boyfriends a black dog bay novel book 2

put a ring on it a black dog bay novel book 3 spotify - Feb 26 2023

web listen to put a ring on it a black dog bay novel book 3 on spotify

black dog bay novel penguin random house - Aug 03 2023

web buy books online and find book series such as black dog bay novel written by beth kendrick from penguinrandomhouse com put a ring on it book 3 available formats ebook 1 the author of once upon a wine returns to the delaware seashore town of black dog bay where one woman learns to put passion before practicality

put a ring on it black dog bay novel amazon com - Jun 20 2022

web find helpful customer reviews and review ratings for put a ring on it black dog bay novel at amazon com read honest and unbiased product reviews from our users

put a ring on it black dog bay 3 by beth kendrick goodreads - Oct 05 2023

web nov 3 2015 put a ring on it black dog bay book 3 by beth kendrick isbn 9780451474186 author website bethkendrick com brought to you by obs reviewer kayt synopsis the author of new uses for old boyfriends returns to the delaware seashore town of black dog bay where one woman learns to put passion before practicality

put a ring on it black dog bay novel band 3 amazon de - Apr 18 2022

web put a ring on it black dog bay novel band 3 kendrick beth isbn 9780451474186 kostenloser versand für alle bücher mit versand und verkauf duch amazon

watch put a ring on it season 3 prime video amazon com - Feb 14 2022

web march 25 2022 42min tv 14 three couples at a critical point in their relationship turn to dr nicole labeach to begin a nine week experiment dating other people a familiar face returns to court one of the women while past issues may bring another couple s journey to a quick end store filled

put a ring on it by beth kendrick audiobook audible com - Oct 25 2022

web publisher s summary the author of new uses for old boyfriends returns to the delaware seashore town of black dog bay where one woman learns to put passion before practicality brighton smith doesn t do outrageous as an insurance actuary it s her job to assess risk and avoid bad investments

[put a ring on it a black dog bay novel book 3 youtube](#) - Mar 18 2022

web put a ring on it a black dog bay novel book 3 audiobook sample youtube get the full version of this audiobook audiobookscldoud com b01865jrviput a ring on it a

put a ring on it apple books - Jul 22 2022

web nov 3 2015 put a ring on it on apple books book 3 black dog bay novel put a ring on it beth kendrick 4 4 41 ratings 9 99 publisher description the author of once upon a wine returns to the delaware seashore town of black dog bay where one woman learns to put passion before practicality brighton smith doesn t do outrageous

[amazon com put a ring on it a black dog bay novel book 3](#) - Sep 23 2022

web amazon com put a ring on it a black dog bay novel book 3 audible audio edition beth kendrick amy rubinate ideal audiobooks books

[put a ring on it a black dog bay novel 3 audiobooks com](#) - May 20 2022

web the author of new uses for old boyfriends returns to the delaware seashore town of black dog bay where one woman learns to put passion before practicality br br brighton smith doesn t do outrageous as an insurance actuary it s her job to assess risk and avoid bad investments but when her fiancé calls to confess he s married someone

[put a ring on it black dog bay novel book 3 kindle edition](#) - Sep 04 2023

web nov 3 2015 put a ring on it black dog bay novel book 3 kindle edition by kendrick beth download it once and read it on your kindle device pc phones or tablets use features like bookmarks note taking and highlighting while reading put a ring on it black dog bay novel book 3

[black dog bay audiobooks listen to the full series](#) - Nov 25 2022

web put a ring on it a black dog bay novel book 3 by beth kendrick narrated by amy rubinate length 7 hrs and 44 mins release date 19 11 2015

put a ring on it a black dog bay novel 3 audio cd - Mar 30 2023

web buy put a ring on it a black dog bay novel 3 unabridged by kendrick beth isbn 9781682622179 from amazon s book store everyday low prices and free delivery on eligible orders put a ring on it a black dog bay novel 3 amazon co uk kendrick beth 9781682622179 books

black dog bay series by beth kendrick goodreads - Jun 01 2023

web by beth kendrick 3 69 2 140 ratings 252 reviews published 2015 7 editions after growing up in privilege and marrying into mo want to read rate it book 3 put a ring on it by beth kendrick 3 90 1 592 ratings 192 reviews published 2015 5 editions the author of once upon a wine returns to the dela want to read rate it book 4

put a ring on it by beth kendrick 9780698188488 - Aug 23 2022

web put a ring on it by beth kendrick 9780698188488 penguinrandomhouse com books the author of once upon a wine returns to the delaware seashore town of black dog bay where one woman learns to put passion before practicality brighton smith doesn t do outrageous skip to main content press enter we know what book you should read

[put a ring on it black dog bay book 3 by beth kendrick](#) - Apr 30 2023

web the third book in the black dog bay series a novel by beth kendrick the author of once upon a wine returns to the delaware seashore town of black dog bay where one woman learns to put passion before practicality

put a ring on it black dog bay novel amazon com - Jan 28 2023

web nov 3 2015 the author of once upon a wine returns to the delaware seashore town of black dog bay where one woman learns to put passion before practicality brighton smith doesn t do outrageous as an insurance actuary it s her job to assess risk and avoid bad investments

how to write a security guard resignation letter in 4 steps - Jan 28 2022

web sep 30 2022 how to write a security guard resignation letter in 4 steps indeed editorial team updated september 30 2022 resignation letters are common in every industry to give official notice you re leaving a position and to

application format for a security guard job post qs study - Jun 01 2022

web sub application letter for a security guard respected sir i want to say that i am interested in the job of a security guard which is vacant in your office describe in your words i am a very experienced person for the job of a security guard as i am a retired person from the army

10 effective application letter samples for security guard - Aug 15 2023

web jul 3 2023 contents show the best structure for an application letter sample for security guard when it comes to finding a job as a security guard submitting an effective application letter is crucial this letter serves as your first impression to potential employers and can determine whether or not you get an interview

security guard cover letter sample also for no experience zety - Mar 10 2023

web aug 24 2023 security guard cover letter sample also for no experience you could speak for hours about how the good guy caught the bad guy but somehow you can t get your head around writing a security guard cover letter fight this now katarzyna furman career expert updated 08 24 2023 as seen in 0 likes comments create a resume now

security guard recommendation letter 4 templates writolay - Jul 02 2022

web june 3 2023 by rahul panchal to recommend the new security guard through the letter you must ask about his or her experience in this field and also the other positive aspects this will help build a good reputation for the security guard in your eyes

security guard appointment letter 4 free templates writolay - Jun 13 2023

web aug 29 2023 subject appointment letter for security guard dear applicant mention the name we are happy to inform you that you have been appointed as a security guard in our company mention the company for the location of mention the location your joining date will be from mention the date of this month your duty hours will be from mention

security guard cover letter sample also for no experience - Mar 30 2022

web jul 31 2023 sample application letter for security guard with no experience show a security guard cover letter and tips for applicant with no experience follow the guide to want a job winning cover letter in a security guard

security guard cover letter example and template for 2023 - Jul 14 2023

web aug 22 2023 in this article we explain how to write an effective security guard cover letter provide helpful writing tips and review an example of a cover letter that you can use for inspiration once you finish creating your application documents you can upload a resume file or build an indeed resume to apply for security guard positions

[security guard cover letter examples samples for 2023](#) - Jan 08 2023

web dear mr hamilton when i learned of avatar technologies need for a security guard i became eager to submit the enclosed resume with nine years of experience in various security related roles i am well positioned to exceed your expectations for this position

security guard cover letter sample kickresume - Dec 07 2022

web richard bain 555 555 5555 hello kickresume com gpk inc liverpool united kingdom 28 10 2019 application for the position of security guard dear hiring managers i am writing to apply for the security guard job at gpk inc in liverpool as advertised on your website careers page

11 thank you letter to security guard templates samples - Nov 06 2022

web a thank you letter to security guards is a letter written to express appreciation for the services rendered by security personnel it is a way of acknowledging the importance of their work in keeping people and property safe the letter can be addressed to an individual security guard or to a team of guards

how to write a security guard cover letter with an example - Sep 04 2022

web mar 22 2023 cover letter example for a security guard the following cover letter example is for a security guard with experience and varying credentials kendall stuart certificate iv in security operations 08 7010 4247 k stuart email com perth wa 20 02 2023 tactical security solutions dear anibal burch

write a powerful resignation letter for security guard 9 - Dec 27 2021

web how much notice should you give for a resignation letter for security guard when resigning from a security guard position it is important to provide as much notice as possible generally a notice period of two weeks is considered appropriate for most jobs including security guard positions

professional security guard cover letter examples livecareer - Oct 05 2022

web city state zip code cell 000 000 0000 email email com dear mr pegham i am responding to your advertisement for a security guard for light house security professionals as a responsible security guard i would bring a strong level of professionalism to your organization that would be enhanced by my weapons and self

recommendation letter for security guard 10 samples - Apr 11 2023

web how to write a endorsement letter for security guard a recommendation letter available a security guard is an important document that can help you secure a job in a security company the following six show will help yours write a get letter so will

help you secure a position in a security company 1

security guard cover letter examples and templates for 2023 - May 12 2023

web apr 18 2023 security guard cover letter checklist the best security guard cover letters cover these five main elements 1 heading use a professional template to ensure this information is easy to understand your heading should include your name title and contact details the date the letter was written the addressee s details 2 salutation

security guard cover letter example resume io - Feb 26 2022

web use this security guard cover letter example to finish your application and get hired fast no frustration no guesswork this cover letter example is specifically designed for security guard positions in 2023 take advantage of our sample sentences expert guides to download the perfect cover letter in just minutes 4 9

thank you security guard 35 best messages and notes - Aug 03 2022

web tons of thanks to you all the security guards hey all you security guards here i am actually here to thank you for all efforts that you actually invest every single time in order to make our society a safe place for actually all of its members to originally live into it

security guard cover letter example resume genius - Feb 09 2023

web dec 1 2021 your security guard cover letter will need to be well written and display your relevant qualifications skills and security guard training if you want to impress a hiring manager and secure an interview check out our security guard cover letter example and writing guide for help

security guard resignation letter with samples for 2023 - Apr 30 2022

web jul 30 2023 learn how to write a professional and effective security guard resignation letter with step by step instructions and real life samples master the art of conveying your departure while maintaining a positive and respectful tone

what is a militia and why is the word so controversial these - Jun 10 2023

web oct 21 2020 the name militia suggests the idea of citizen soldiers and patriotism plus it lends such groups the color of the law said mark pitcavage a senior research fellow with the anti

militia definition in the cambridge english dictionary - Apr 08 2023

web militia meaning 1 a military force whose members are trained soldiers but who often have other jobs 2 a learn more

militia definition meaning synonyms vocabulary com - Jan 05 2023

web militia 1 n civilians trained as soldiers but not part of the regular army synonyms reserves types sa storm troops sturmabteilung nazi militia created by hitler in 1921 that helped him to power but was eclipsed by the ss after 1943

trainband a company of militia in england or america from the 16th century to the 18th century type of

militia movement definition history facts britannica - Feb 06 2023

web militia movement in the united states movement of private generally right wing paramilitary organizations whose members characteristically accept highly conspiratorial interpretations of politics and view themselves as defenders of traditional freedoms against government oppression

militia definition meaning merriam webster - Aug 12 2023

web the meaning of militia is a part of the organized armed forces of a country liable to call only in emergency how to use militia in a sentence a part of the organized armed forces of a country liable to call only in emergency a body of citizens organized for military service

what are militias are militias legal history and modern day - May 09 2023

web oct 20 2020 why militias part of america s past are a worry today the self styled militia groups raising alarm in the u s today draw inspiration from the early days of the republic when civilian

militia definition meaning britannica dictionary - Mar 07 2023

web britannica dictionary definition of militia count a group of people who are not part of the armed forces of a country but are trained like soldiers

militia wikipedia - Oct 14 2023

web an irregular armed force that enables its leader to exercise military economic or political control over a subnational territory within a sovereign state in russia and some countries of the former soviet union an official reserve army

militia definition history facts britannica - Jul 11 2023

web sep 9 2023 militia military organization of citizens with limited military training which is available for emergency service usually for local defense militia forces constitute today the bulk of the armed forces available for emergency service in switzerland israel sweden and several other countries

militia english meaning cambridge dictionary - Sep 13 2023

web militia definition 1 a military force whose members are trained soldiers but who often have other jobs 2 a learn more