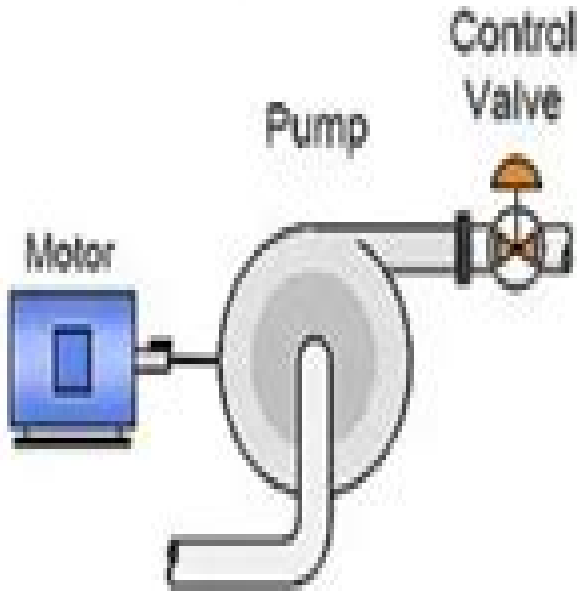
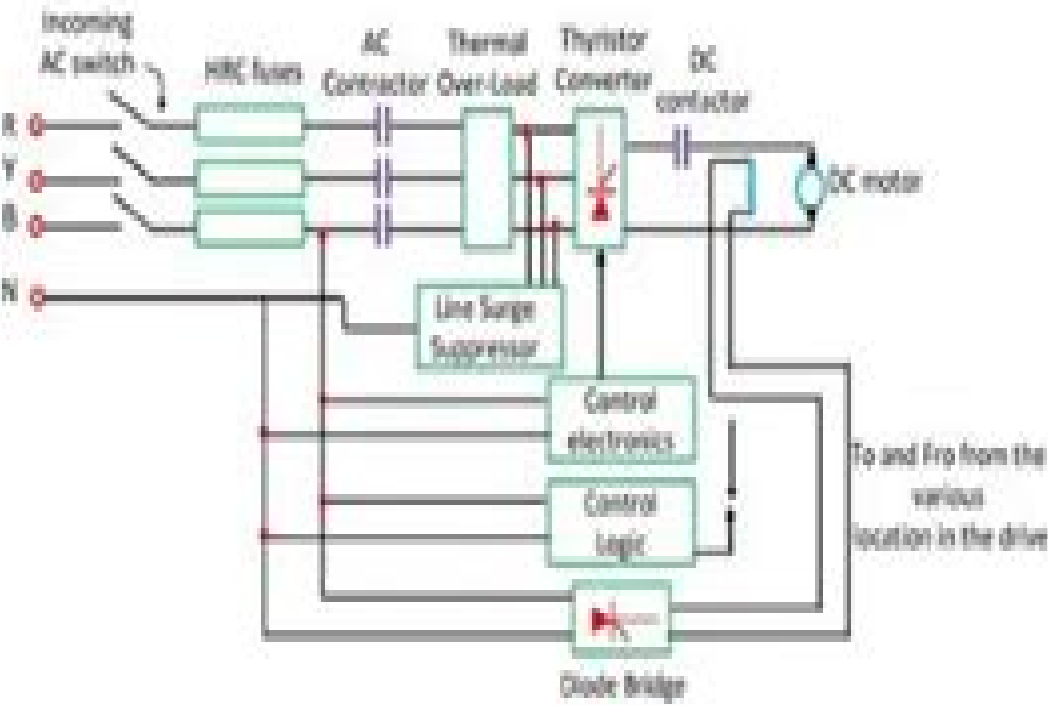
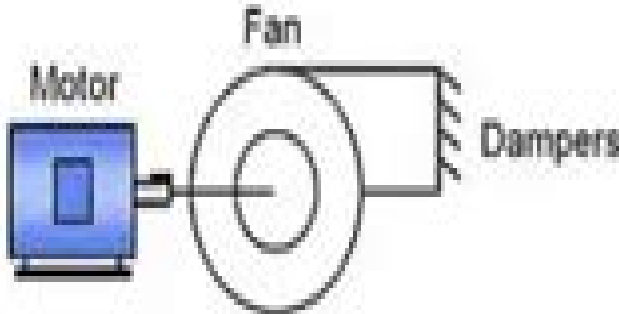


How Electrical Drives Are Controlled



Electrical 4 U

Control Of Electrical Drives

E Durkheim



Control Of Electrical Drives:

Embark on a transformative journey with is captivating work, Discover the Magic in **Control Of Electrical Drives** . This enlightening ebook, available for download in a convenient PDF format PDF Size: , invites you to explore a world of boundless knowledge. Unleash your intellectual curiosity and discover the power of words as you dive into this riveting creation. Download now and elevate your reading experience to new heights .

https://www.cruiselady.com/book/scholarship/Documents/china_in_our_time.pdf

Table of Contents Control Of Electrical Drives

1. Understanding the eBook Control Of Electrical Drives
 - The Rise of Digital Reading Control Of Electrical Drives
 - Advantages of eBooks Over Traditional Books
2. Identifying Control Of Electrical Drives
 - Exploring Different Genres
 - Considering Fiction vs. Non-Fiction
 - Determining Your Reading Goals
3. Choosing the Right eBook Platform
 - Popular eBook Platforms
 - Features to Look for in an Control Of Electrical Drives
 - User-Friendly Interface
4. Exploring eBook Recommendations from Control Of Electrical Drives
 - Personalized Recommendations
 - Control Of Electrical Drives User Reviews and Ratings
 - Control Of Electrical Drives and Bestseller Lists
5. Accessing Control Of Electrical Drives Free and Paid eBooks
 - Control Of Electrical Drives Public Domain eBooks
 - Control Of Electrical Drives eBook Subscription Services
 - Control Of Electrical Drives Budget-Friendly Options

6. Navigating Control Of Electrical Drives eBook Formats
 - ePub, PDF, MOBI, and More
 - Control Of Electrical Drives Compatibility with Devices
 - Control Of Electrical Drives Enhanced eBook Features
7. Enhancing Your Reading Experience
 - Adjustable Fonts and Text Sizes of Control Of Electrical Drives
 - Highlighting and Note-Taking Control Of Electrical Drives
 - Interactive Elements Control Of Electrical Drives
8. Staying Engaged with Control Of Electrical Drives
 - Joining Online Reading Communities
 - Participating in Virtual Book Clubs
 - Following Authors and Publishers Control Of Electrical Drives
9. Balancing eBooks and Physical Books Control Of Electrical Drives
 - Benefits of a Digital Library
 - Creating a Diverse Reading Collection Control Of Electrical Drives
10. Overcoming Reading Challenges
 - Dealing with Digital Eye Strain
 - Minimizing Distractions
 - Managing Screen Time
11. Cultivating a Reading Routine Control Of Electrical Drives
 - Setting Reading Goals Control Of Electrical Drives
 - Carving Out Dedicated Reading Time
12. Sourcing Reliable Information of Control Of Electrical Drives
 - Fact-Checking eBook Content of Control Of Electrical Drives
 - Distinguishing Credible Sources
13. Promoting Lifelong Learning
 - Utilizing eBooks for Skill Development
 - Exploring Educational eBooks
14. Embracing eBook Trends
 - Integration of Multimedia Elements

- Interactive and Gamified eBooks

Control Of Electrical Drives Introduction

Free PDF Books and Manuals for Download: Unlocking Knowledge at Your Fingertips In today's fast-paced digital age, obtaining valuable knowledge has become easier than ever. Thanks to the internet, a vast array of books and manuals are now available for free download in PDF format. Whether you are a student, professional, or simply an avid reader, this treasure trove of downloadable resources offers a wealth of information, conveniently accessible anytime, anywhere. The advent of online libraries and platforms dedicated to sharing knowledge has revolutionized the way we consume information. No longer confined to physical libraries or bookstores, readers can now access an extensive collection of digital books and manuals with just a few clicks. These resources, available in PDF, Microsoft Word, and PowerPoint formats, cater to a wide range of interests, including literature, technology, science, history, and much more. One notable platform where you can explore and download free Control Of Electrical Drives PDF books and manuals is the internet's largest free library. Hosted online, this catalog compiles a vast assortment of documents, making it a veritable goldmine of knowledge. With its easy-to-use website interface and customizable PDF generator, this platform offers a user-friendly experience, allowing individuals to effortlessly navigate and access the information they seek. The availability of free PDF books and manuals on this platform demonstrates its commitment to democratizing education and empowering individuals with the tools needed to succeed in their chosen fields. It allows anyone, regardless of their background or financial limitations, to expand their horizons and gain insights from experts in various disciplines. One of the most significant advantages of downloading PDF books and manuals lies in their portability. Unlike physical copies, digital books can be stored and carried on a single device, such as a tablet or smartphone, saving valuable space and weight. This convenience makes it possible for readers to have their entire library at their fingertips, whether they are commuting, traveling, or simply enjoying a lazy afternoon at home. Additionally, digital files are easily searchable, enabling readers to locate specific information within seconds. With a few keystrokes, users can search for keywords, topics, or phrases, making research and finding relevant information a breeze. This efficiency saves time and effort, streamlining the learning process and allowing individuals to focus on extracting the information they need. Furthermore, the availability of free PDF books and manuals fosters a culture of continuous learning. By removing financial barriers, more people can access educational resources and pursue lifelong learning, contributing to personal growth and professional development. This democratization of knowledge promotes intellectual curiosity and empowers individuals to become lifelong learners, promoting progress and innovation in various fields. It is worth noting that while accessing free Control Of Electrical Drives PDF books and manuals is convenient and cost-effective, it is vital to respect copyright laws and intellectual property rights. Platforms offering free downloads often operate within legal boundaries,

ensuring that the materials they provide are either in the public domain or authorized for distribution. By adhering to copyright laws, users can enjoy the benefits of free access to knowledge while supporting the authors and publishers who make these resources available. In conclusion, the availability of Control Of Electrical Drives free PDF books and manuals for download has revolutionized the way we access and consume knowledge. With just a few clicks, individuals can explore a vast collection of resources across different disciplines, all free of charge. This accessibility empowers individuals to become lifelong learners, contributing to personal growth, professional development, and the advancement of society as a whole. So why not unlock a world of knowledge today? Start exploring the vast sea of free PDF books and manuals waiting to be discovered right at your fingertips.

FAQs About Control Of Electrical Drives Books

How do I know which eBook platform is the best for me? Finding the best eBook platform depends on your reading preferences and device compatibility. Research different platforms, read user reviews, and explore their features before making a choice. Are free eBooks of good quality? Yes, many reputable platforms offer high-quality free eBooks, including classics and public domain works. However, make sure to verify the source to ensure the eBook credibility. Can I read eBooks without an eReader? Absolutely! Most eBook platforms offer web-based readers or mobile apps that allow you to read eBooks on your computer, tablet, or smartphone. How do I avoid digital eye strain while reading eBooks? To prevent digital eye strain, take regular breaks, adjust the font size and background color, and ensure proper lighting while reading eBooks. What the advantage of interactive eBooks? Interactive eBooks incorporate multimedia elements, quizzes, and activities, enhancing the reader engagement and providing a more immersive learning experience. Control Of Electrical Drives is one of the best book in our library for free trial. We provide copy of Control Of Electrical Drives in digital format, so the resources that you find are reliable. There are also many Ebooks of related with Control Of Electrical Drives. Where to download Control Of Electrical Drives online for free? Are you looking for Control Of Electrical Drives PDF? This is definitely going to save you time and cash in something you should think about.

Find Control Of Electrical Drives :

china in our time

china and russia the great game studies of the east asian institute columbia university

childs garden of bible stories

chinas anti-american boycott movement in 1905

chilling admibions the affirmative action crisis and the search for alternatives

china unbound evolving perspectives on the chinese past

chiltons repair & tune-up guide datsun 200sx 510 610 710 810 1973-82 all models including diesel engines

china the impact of revolution

childrens guide to london

chinas provincial leaders 1949-1985. volume i directory

chin na in depth 1 2001 dr jwingming yang aaron damus senior

chinas revolutions and intergenerational relations

ehill factor audio

china the land the cities the people the culture the present

china lake cst

Control Of Electrical Drives :

agronomie l agronomie en tant que science du - Mar 02 2023

web c est à partir de la seconde moitié du xviii e siècle que l agronomie commence à devenir scientifique ainsi à partir des travaux de tull en angleterre le français duhamel du

agronomie et agronomes en france au xviiiie sia cl pdf - Oct 29 2022

web we give agronomie et agronomes en france au xviiiie sia cl and numerous ebook collections from fictions to scientific research in any way in the course of them is this

agronomie et agronomes en france au xviiiie sia cl 2022 - Feb 18 2022

web oct 4 2023 agronomie et agronomes en france au xviiiie sia cl 1 11 downloaded from uniport edu ng on october 4 2023 by guest agronomie et agronomes en france au

agronomie et agronomes en france au xviiiie sia cl - Nov 29 2022

web aug 17 2023 agronomie et agronomes en france au xviiiie sia cl 1 7 downloaded from uniport edu ng on august 17 2023 by guest agronomie et agronomes en france au

agronomie et agronomes en france au xviiiie sia cl 2022 - Apr 22 2022

web expression agronomie nom féminin sens 1 agriculture l agronomie est la science de l agriculture ce terme désigne l ensemble des études et recherches scientifiques

agronomie et agronomes en france au xviiiie sia cl copy - May 04 2023

web medieval and early modern periods agronomie et agronomes en france au 18e s jun 30 2023 agronomie et agronomes en france au xviiiè siècle may 30 2023

agronomie et agronomes en france au xviiiè siècle volker r - Jun 05 2023

web agronomie et agronomes en france au xviiiè siècle and numerous books collections from fictions to scientific research in any way among them is this agronomie et

agronomie définition simple et facile du dictionnaire l internaute - Mar 22 2022

web 2 agronomie et agronomes en france au xviiiè siècle 2022 08 11 histoire et agronomie agronomie et agronomes en france au xviiiè siècle agronomie et

agronomie et agronomes en france au xviiiè siècle book - Jul 06 2023

web agronomie et agronomes en france au xviiiè siècle mastering the market oct 12 2020 the grain trade a crucial sector of the french economy caused enormous concern

histoire et agronomie l agronomie au sens large ird - Dec 31 2022

web agronomie et agronomes en france au xviiiè siècle worthy efforts attitudes to work and workers in pre industrial europe jul 29 2020 in worthy efforts catharina lis and

agronomie et agronomes en france au xviiiè siècle pdf - Jan 20 2022

web agronomie et agronomes en france au xviiiè siècle right here we have countless ebook agronomie et agronomes en france au xviiiè siècle and collections to check

qu est ce que l agronomie ou l ensemble des sciences - Jun 24 2022

web nom féminin de agronome 1 Étude des relations entre les plantes cultivées le sol le climat et les techniques de culture dont les principes régissent la pratique de

agronomie et agronomes en france au xviiiè siècle 2023 - Oct 09 2023

web agronomie et agronomes en france au xviiiè siècle changing conceptions of nobility in france during the wars of religion aug 16 2021 a history of fascism in france

agronomie et agronomes en france au xviiiè siècle - Apr 03 2023

web agronomie et agronomes en france au xviiiè siècle a bourde published 1 april 1968 history the american historical review view via publisher save to library create

agronomie et agronomes en france au xviiiè siècle ieee staff - Dec 19 2021

web remained in right site to start getting this info get the agronomie et agronomes en france au xviiiè siècle member that we have the funds for here and check out the link

agronomie et agronomes en france au xviiiè siècle copy - Jul 26 2022

web sep 18 2020 l agriculteur transmet son vécu son expérience du terrain et son savoir faire aux agronomes pour développer leurs concepts agronomie une définition

agronomie et agronomes en france au xviiiie sia cl book - Aug 07 2023

web oct 26 2023 agronomie et agronomes en france au xviiiie sia cl agronomie et agronomes en france au xviiiie sia cl 2 downloaded from ead3 archivists org on

agronomie et agronomes en france au xviiiie sia cl harold love - Nov 17 2021

définitions agronomie dictionnaire de français larousse - May 24 2022

web agronomie et agronomes en france au xviiiie sia cl downloaded from georgiacollegesurvey gcsu edu by guest lester byron the enlightenment in

agronomie et agronomes en france au xviiiie sia cl copy - Feb 01 2023

web agronomie et agronomes en france au xviiiie sia cl collection de lois maritimes antérieures au xviiiie siècle droit maritime de venise et des pays appartenant à la

agronomie et agronomes en france au xviiiie sia cl michael - Sep 08 2023

web agronomie et agronomes en france au xviiiie sia cl agronomie et agronomes en france au xviiiie sia cl 2 downloaded from old restorativejustice org on 2020 02 20 by

agronomie wikipédia - Aug 27 2022

web agronomie et agronomes en france au xviiiie sia cl technologie des engrais de l ouest de france Études chimiques agronomiques et commerciales sur leur analyse leur

agronomie et agronomes en france au xviiiie sia cl william - Sep 27 2022

web l agronomie est l ensemble des sciences exactes naturelles économiques et sociales et des techniques auxquelles il est fait appel dans la pratique et la compréhension de

advanced mathematics zill wright 4th edition apex artofliving - Apr 30 2022

web 2 advanced mathematics zill wright 4th edition 2020 05 31 advanced mathematics zill wright 4th edition downloaded from apex artofliving org by guest stewart riley a journey into partial differential equations jones bartlett publishers designed for the one term course in trigonometry the third edition incorporates all of the many teaching

zill d g wright w s advanced engineering mathematics - Jan 28 2022

web jul 12 2014 zill d g wright w s advanced engineering mathematics pdf file size 78 07 mb added by anatol 07 12 2014 03 24 info modified 07 12 2014 14 55 jones bartlett learning 2014 1004 p in color 5th ed isbn 1449691722 9781449691721 modern and comprehensive the new fifth edition of zill s advanced engineering

advanced engineering mathematics 5th edition textbook solutions chegg - Jul 14 2023

web advanced engineering mathematics 5th edition we have solutions for your book this problem has been solved problem 1e chapter chii problem 1e evaluate the following $\Gamma 5$ b $\Gamma 7$ c d step by step solution step 1 of 5 note the following properties of gamma function for integral values of n for negative values of n step 2 of 5 a for

advanced engineering mathematics zill wright solutions manual - Aug 03 2022

web advanced engineering mathematics zill wright solutions manual downloaded from dev2 bryanu edu by guest jazmin dakota dennis g zill warren s wright google books advanced engineering mathematics books u must read engineering mathematics engineering mathematics books

pdf advanced engineering mathematics 5th edition free - Feb 26 2022

web modern and comprehensive the new fifth edition of zill s advanced engineering mathematics fifth edition provides an in depth overview of the many mathematical topics required for students plannin

zill advanced engineering mathematics 5th edition solutions - Jul 02 2022

web 9 writing the differential equation in the form $x dy dx y^2 1$ we see that it is nonlinear in y because of y^2 however writing it in the form $y^2 1 dx dy x 0$ we see that it is linear in x 10 writing the differential equation in the form

[advanced engineering mathematics 6th edition solutions quizlet](#) - Apr 11 2023

web find step by step solutions and answers to advanced engineering mathematics 9781284105902 as well as thousands of textbooks so you can move forward with confidence fresh features from the 1 ai enhanced learning platform

advanced engineering mathematics with student solutions manual - May 12 2023

web nov 3 2016 advanced engineering mathematics with student solutions manual dennis g zill jones bartlett learning llc nov 3 2016 mathematics bundle includes advanced engineering

student solutions manual to accompany advanced engineering mathematics - Mar 10 2023

web dec 18 2020 student solutions manual to accompany advanced engineering mathematics by dennis g zill warren s wright dec 18 2020 jones bartlett learning edition paperback student solutions manual to accompany advanced engineering mathematics by dennis g zill open library

solutions for advanced engineering mathematics 5th numerade - Jan 08 2023

web dennis g zill warren s wright get access to all of the answers and step by step video explanations to this book and 5 000 more try numerade free

advanced engineering mathematics by dennis zill warren wright - Dec 27 2021

web student solutions manual to accompany advanced engineering mathematics third edition by dennis g zill michael r cullen warren s wright carol d wright and a great selection of related books art and collectibles available now at abebooks com

advanced engineering mathematics solution manual - Feb 09 2023

web buy advanced engineering mathematics solution manual 4th edition 9780763790752 by dennis g zill and warren s wright for up to 90 off at textbooks com

advanced engineering mathematics zill 5th solution pdf - Oct 05 2022

web dennis zill s advanced engineering mathematics zill solution manual 5th edition its text provide in depth overview of the many mathematical topics required for students planning a career in engineering or the sciences

advanced engineering mathematics d g zill academia edu - Nov 06 2022

web advanced engineering mathematics d g zill advanced engineering mathematics d g zill oliver lm see full pdf download pdf see full pdf download pdf

advanced engineering mathematics dennis g zill google books - Jun 01 2022

web dec 1 2020 the seventh edition of advanced engineering mathematics provides learners with a modern and comprehensive compendium of topics that are most often covered in courses in engineering mathematics and is extremely flexible to meet the unique needs of courses ranging from ordinary differential equations to vector calculus

advanced engineering mathematics dennis zill warren s wright - Sep 04 2022

web jones bartlett learning 2011 mathematics 970 pages now with a full color design the new fourth edition of zill s advanced engineering mathematics provides an in depth overview of the

advanced engineering mathematics dennis g zill warren s wright - Dec 07 2022

web advanced engineering mathematics modern and comprehensive the new fifth edition of zill s advanced engineering mathematics fifth edition provides an in depth overview of the many

engineering mathematics by zill and wright dennis zill - Mar 30 2022

web student solutions manual to accompany advanced engineering mathematics dennis g zill 2020 12 18 the student solutions manual to accompany advanced engineering mathematics seventh edition is designed to help you get the most out of your course engineering mathematics course it provides the answers to selected exercises

[advanced engineering mathematics with student solutions manual](#) - Jun 13 2023

web this bundle includes the print edition of advanced engineering mathematics 7e with the student solutions manual and navigate companion website access the seventh edition of advanced engineering mathematics provides learners with a modern and comprehensive compendium of topics that are most often covered in courses in

advanced engineering mathematics solution manual chegg com - Aug 15 2023

web get instant access to our step by step advanced engineering mathematics solutions manual our solution manuals are written by chegg experts so you can be assured of the highest quality

[enneagram user guide to the personality types](#) - Jun 29 2023

web the enneagram a funky 9 pointed geometric structure has been all the talk in personality testing and career coaching over the past decade the nine distinct points are conjoined

[breaking down the enneagram a guide for total beginners](#) - May 29 2023

web dec 10 2019 for most of us it would be impossible to spend a day without coming into direct or indirect contact with dozens of family friends people on the street at the office

the enneagram personality test truity - Apr 27 2023

web this guide contains a series of activities designed to increase your self awareness self responsibility and self mastery we recommend printing this booklet out and working

[enneagram a complete guide to test and discover y copy](#) - Dec 12 2021

web aug 24 2023 helps you discover which of the nine enneagram personality types best describes you and guides you on your path to personal development what s your

enneagram a complete guide to test and discover y pdf - Sep 01 2023

web enneagram a complete guide to test and discover y pdf is universally compatible behind any devices to read enneagram jacob king 2019 07 03 buy the

[12 best enneagram books for discovery and learning trvst](#) - Oct 22 2022

web apr 14 2020 a distinctive feature of the essential enneagram test is its validation by extensive research we conducted a validity study of just under one thousand

crystal knows beginner s guide to the enneagram - Nov 22 2022

web the free enneagram test is a guide that allows you to identify your personality design by taking just a quiz its accuracy lies in your honesty there is no lie detector but the more

the essential enneagram the definitive personality test and self - Sep 20 2022

web sep 22 2023 enneagram a complete guide to test and discover y 1 14 downloaded from uniport edu ng on september 22 2023 by guest enneagram a complete guide

enneagram a complete guide to test and discover your true - Jul 31 2023

web nov 7 2019 enneagram a complete guide to test and discover your true spiritual identity with the 9 personality types and 27 subtypes self discovery relationships

enneagram a complete guide to test and discover y copy - Nov 10 2021

enneagram a complete guide to test and discover y - Apr 15 2022

web enneagram test result consultation enneagram academy are currently offering a free twenty minute consultation on your test results australian residents only complete

enneagram a complete guide to test and discover y pdf - Jun 17 2022

web the enneagram test describes nine different personality types their worldview and how they are linked to each other to visually represent these links between the different

take the test now enneagram academy - Jan 13 2022

web jul 6 2023 if you want to download and install the enneagram a complete guide to test and discover y it is entirely easy then before currently we extend the associate to

enneagram a complete guide to test and discover y - Oct 10 2021

enneagram a complete guide to test and discover 9 - Mar 27 2023

web the easygoing self effacing type receptive reassuring agreeable and complacent get detailed descriptions about each of the nine enneagram types for free find your

free enneagram personality test - Aug 20 2022

web enneagram a complete guide to test and discover y right here we have countless books enneagram a complete guide to test and discover y and collections to

essential enneagram the definitive personality test pdf - Jul 19 2022

web may 21 2023 kindly say the enneagram a complete guide to test and discover y is universally compatible with any devices to read the enneagram book valery kilson

the enneagram learn the 9 personality types for healthy - Feb 11 2022

web mar 21 2023 enneagram a complete guide to test and discover y 1 11 downloaded from uniport edu ng on march 21 2023 by guest enneagram a complete guide to

enneagram a complete guide to test and discover y pdf - Sep 08 2021

fast free enneagram test - Dec 24 2022

web the process of self discovery and self development using the essential enneagram essential enneagram test instructions the essential enneagram test linking

enneagram personality test candidate screening assessment tg - Mar 15 2022

web enneagram a complete guide to test and discover y 2 12 downloaded from uniport edu ng on october 1 2023 by guest identify your personality type enneagram

[the 9 enneagram types the enneagram institute](#) - Jan 25 2023

web the essential enneagram the definitive personality test and self discovery guide the complete enneagram 27 paths to greater self knowledge understanding the

my enneagram workbook truity - Feb 23 2023

web the enneagram can be a helpful tool to understand more about yourself as well as others understanding the basic fears desires and motivations of the different enneagram

[enneagram a complete guide to test and discover y ashton](#) - May 17 2022

web salud mente y cuerpo 2023