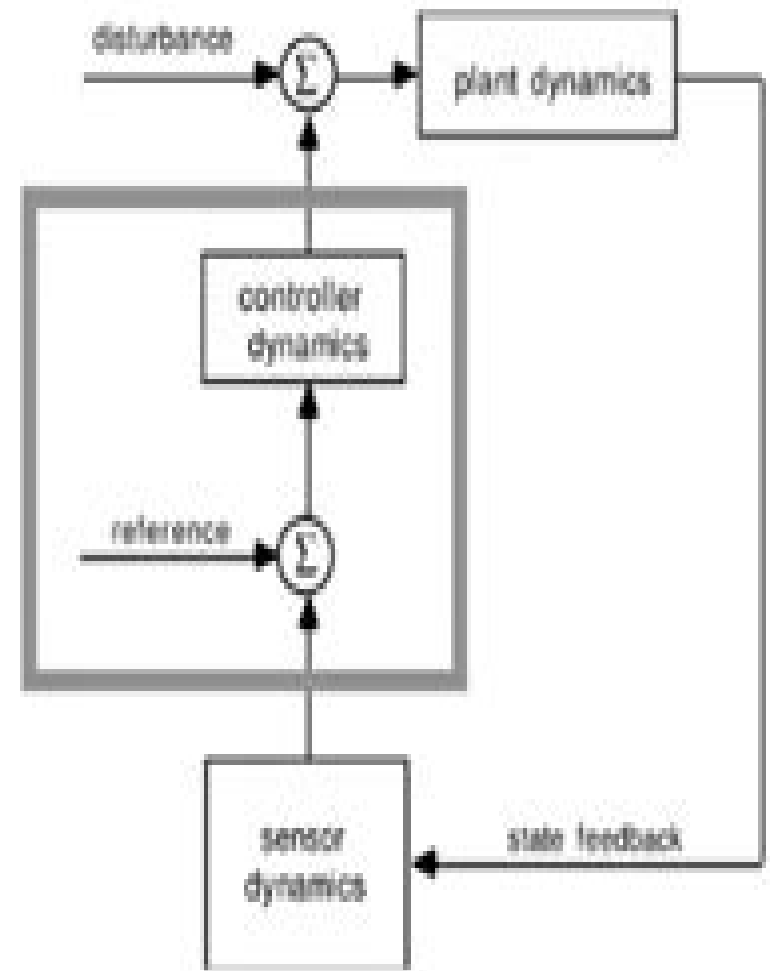
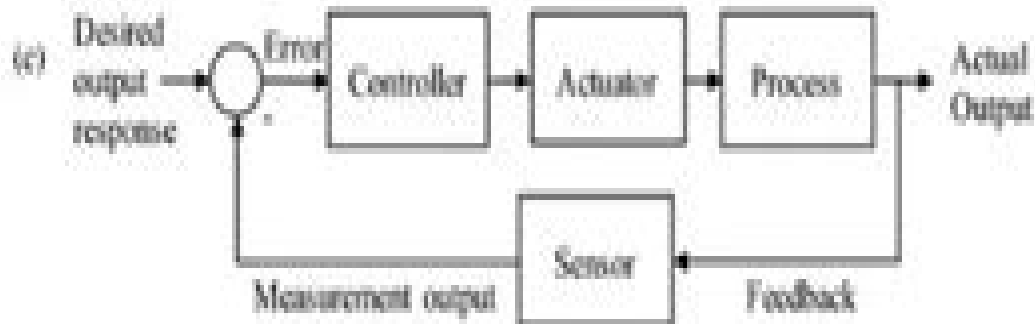
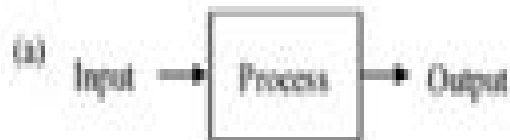


# What is Control Engineering?



**Electrical 4 U**

# Control Systems Engineering And Design

**Karin Nielsen-Saines**



## **Control Systems Engineering And Design:**

If you ally dependence such a referred **Control Systems Engineering And Design** ebook that will allow you worth, get the unconditionally best seller from us currently from several preferred authors. If you want to entertaining books, lots of novels, tale, jokes, and more fictions collections are next launched, from best seller to one of the most current released.

You may not be perplexed to enjoy every ebook collections Control Systems Engineering And Design that we will unconditionally offer. It is not roughly the costs. Its virtually what you habit currently. This Control Systems Engineering And Design, as one of the most practicing sellers here will agreed be in the course of the best options to review.

[https://www.cruiselady.com/public/publication/index.jsp/book\\_of\\_talimantras\\_ancient\\_egyptian\\_talismanic\\_symbols\\_mantras\\_f\\_or\\_protection.pdf](https://www.cruiselady.com/public/publication/index.jsp/book_of_talimantras_ancient_egyptian_talismanic_symbols_mantras_f_or_protection.pdf)

## **Table of Contents Control Systems Engineering And Design**

1. Understanding the eBook Control Systems Engineering And Design
  - The Rise of Digital Reading Control Systems Engineering And Design
  - Advantages of eBooks Over Traditional Books
2. Identifying Control Systems Engineering And Design
  - Exploring Different Genres
  - Considering Fiction vs. Non-Fiction
  - Determining Your Reading Goals
3. Choosing the Right eBook Platform
  - Popular eBook Platforms
  - Features to Look for in an Control Systems Engineering And Design
  - User-Friendly Interface
4. Exploring eBook Recommendations from Control Systems Engineering And Design
  - Personalized Recommendations
  - Control Systems Engineering And Design User Reviews and Ratings
  - Control Systems Engineering And Design and Bestseller Lists

5. Accessing Control Systems Engineering And Design Free and Paid eBooks
  - Control Systems Engineering And Design Public Domain eBooks
  - Control Systems Engineering And Design eBook Subscription Services
  - Control Systems Engineering And Design Budget-Friendly Options
6. Navigating Control Systems Engineering And Design eBook Formats
  - ePub, PDF, MOBI, and More
  - Control Systems Engineering And Design Compatibility with Devices
  - Control Systems Engineering And Design Enhanced eBook Features
7. Enhancing Your Reading Experience
  - Adjustable Fonts and Text Sizes of Control Systems Engineering And Design
  - Highlighting and Note-Taking Control Systems Engineering And Design
  - Interactive Elements Control Systems Engineering And Design
8. Staying Engaged with Control Systems Engineering And Design
  - Joining Online Reading Communities
  - Participating in Virtual Book Clubs
  - Following Authors and Publishers Control Systems Engineering And Design
9. Balancing eBooks and Physical Books Control Systems Engineering And Design
  - Benefits of a Digital Library
  - Creating a Diverse Reading Collection Control Systems Engineering And Design
10. Overcoming Reading Challenges
  - Dealing with Digital Eye Strain
  - Minimizing Distractions
  - Managing Screen Time
11. Cultivating a Reading Routine Control Systems Engineering And Design
  - Setting Reading Goals Control Systems Engineering And Design
  - Carving Out Dedicated Reading Time
12. Sourcing Reliable Information of Control Systems Engineering And Design
  - Fact-Checking eBook Content of Control Systems Engineering And Design
  - Distinguishing Credible Sources
13. Promoting Lifelong Learning

- Utilizing eBooks for Skill Development
  - Exploring Educational eBooks
14. Embracing eBook Trends
- Integration of Multimedia Elements
  - Interactive and Gamified eBooks

### **Control Systems Engineering And Design Introduction**

Free PDF Books and Manuals for Download: Unlocking Knowledge at Your Fingertips In today's fast-paced digital age, obtaining valuable knowledge has become easier than ever. Thanks to the internet, a vast array of books and manuals are now available for free download in PDF format. Whether you are a student, professional, or simply an avid reader, this treasure trove of downloadable resources offers a wealth of information, conveniently accessible anytime, anywhere. The advent of online libraries and platforms dedicated to sharing knowledge has revolutionized the way we consume information. No longer confined to physical libraries or bookstores, readers can now access an extensive collection of digital books and manuals with just a few clicks. These resources, available in PDF, Microsoft Word, and PowerPoint formats, cater to a wide range of interests, including literature, technology, science, history, and much more. One notable platform where you can explore and download free Control Systems Engineering And Design PDF books and manuals is the internet's largest free library. Hosted online, this catalog compiles a vast assortment of documents, making it a veritable goldmine of knowledge. With its easy-to-use website interface and customizable PDF generator, this platform offers a user-friendly experience, allowing individuals to effortlessly navigate and access the information they seek. The availability of free PDF books and manuals on this platform demonstrates its commitment to democratizing education and empowering individuals with the tools needed to succeed in their chosen fields. It allows anyone, regardless of their background or financial limitations, to expand their horizons and gain insights from experts in various disciplines. One of the most significant advantages of downloading PDF books and manuals lies in their portability. Unlike physical copies, digital books can be stored and carried on a single device, such as a tablet or smartphone, saving valuable space and weight. This convenience makes it possible for readers to have their entire library at their fingertips, whether they are commuting, traveling, or simply enjoying a lazy afternoon at home. Additionally, digital files are easily searchable, enabling readers to locate specific information within seconds. With a few keystrokes, users can search for keywords, topics, or phrases, making research and finding relevant information a breeze. This efficiency saves time and effort, streamlining the learning process and allowing individuals to focus on extracting the information they need. Furthermore, the availability of free PDF books and manuals fosters a culture of continuous learning. By removing financial barriers, more people can access educational resources and pursue lifelong

learning, contributing to personal growth and professional development. This democratization of knowledge promotes intellectual curiosity and empowers individuals to become lifelong learners, promoting progress and innovation in various fields. It is worth noting that while accessing free Control Systems Engineering And Design PDF books and manuals is convenient and cost-effective, it is vital to respect copyright laws and intellectual property rights. Platforms offering free downloads often operate within legal boundaries, ensuring that the materials they provide are either in the public domain or authorized for distribution. By adhering to copyright laws, users can enjoy the benefits of free access to knowledge while supporting the authors and publishers who make these resources available. In conclusion, the availability of Control Systems Engineering And Design free PDF books and manuals for download has revolutionized the way we access and consume knowledge. With just a few clicks, individuals can explore a vast collection of resources across different disciplines, all free of charge. This accessibility empowers individuals to become lifelong learners, contributing to personal growth, professional development, and the advancement of society as a whole. So why not unlock a world of knowledge today? Start exploring the vast sea of free PDF books and manuals waiting to be discovered right at your fingertips.

### FAQs About Control Systems Engineering And Design Books

**What is a Control Systems Engineering And Design PDF?** A PDF (Portable Document Format) is a file format developed by Adobe that preserves the layout and formatting of a document, regardless of the software, hardware, or operating system used to view or print it. **How do I create a Control Systems Engineering And Design PDF?** There are several ways to create a PDF: Use software like Adobe Acrobat, Microsoft Word, or Google Docs, which often have built-in PDF creation tools. Print to PDF: Many applications and operating systems have a "Print to PDF" option that allows you to save a document as a PDF file instead of printing it on paper. Online converters: There are various online tools that can convert different file types to PDF. **How do I edit a Control Systems Engineering And Design PDF?** Editing a PDF can be done with software like Adobe Acrobat, which allows direct editing of text, images, and other elements within the PDF. Some free tools, like PDFescape or Smallpdf, also offer basic editing capabilities. **How do I convert a Control Systems Engineering And Design PDF to another file format?** There are multiple ways to convert a PDF to another format: Use online converters like Smallpdf, Zamzar, or Adobe Acrobat's export feature to convert PDFs to formats like Word, Excel, JPEG, etc. Software like Adobe Acrobat, Microsoft Word, or other PDF editors may have options to export or save PDFs in different formats. **How do I password-protect a Control Systems Engineering And Design PDF?** Most PDF editing software allows you to add password protection. In Adobe Acrobat, for instance, you can go to "File" -> "Properties" -> "Security" to set a password to restrict access or editing capabilities. Are there any free alternatives to Adobe Acrobat for working with PDFs? Yes, there are

many free alternatives for working with PDFs, such as: LibreOffice: Offers PDF editing features. PDFsam: Allows splitting, merging, and editing PDFs. Foxit Reader: Provides basic PDF viewing and editing capabilities. How do I compress a PDF file? You can use online tools like Smallpdf, ILovePDF, or desktop software like Adobe Acrobat to compress PDF files without significant quality loss. Compression reduces the file size, making it easier to share and download. Can I fill out forms in a PDF file? Yes, most PDF viewers/editors like Adobe Acrobat, Preview (on Mac), or various online tools allow you to fill out forms in PDF files by selecting text fields and entering information. Are there any restrictions when working with PDFs? Some PDFs might have restrictions set by their creator, such as password protection, editing restrictions, or print restrictions. Breaking these restrictions might require specific software or tools, which may or may not be legal depending on the circumstances and local laws.

### **Find Control Systems Engineering And Design :**

#### **book of talimantras ancient egyptian talismanic symbols mantras for protection**

~~book of eagles~~

#### **book of eulogies**

*bonhoeffer ethic of discipleship a study in social psychology political thought and religion*

~~book of concord the confessions of the evangelical lutheran church~~

book of pilates

#### **book of creative crafts**

~~boo hoo slug stew~~

#### **bong water**

#### **book of games/07732**

*bonsai the art of living sculpture*

*bones and skeletons insights 4-5 an elementary hands-on inquiry science curriculum*

bonsai techniques

#### **book of english china**

~~book of guns and gunsmiths~~

### **Control Systems Engineering And Design :**

Idylis 70-Pint 3-Speed Dehumidifier with Built-In Pump ... Idylis 70-Pint 3-Speed Dehumidifier with Built-In Pump (For Rooms

1501- 3000 sq ft). Item #526051 |. Model #WDH-1670EAP-1. Idylis WDH-1670EAP-1 Dehumidifier for sale online Idylis 70-Pint 3-Speed Dehumidifier with Built-In Pump ENERGY STAR. The pump ...feature is what sold me. There is no need to empty a tank. So far it has worked ... Idylis D RECALL DRP IDYLIS 70-PT W DEHUM - Lowe's I bought this dehumidifier for use in my finished basement. The unit was very easy to set up. The styling is good and the built in wheels make it easy to move ... IDYLIS 70-PINT 3-SPEED Dehumidifier with Built-in Pump ... Idylis 70-Pint 3-Speed Dehumidifier with Built-in Pump Model # WDH-1670EAP-1. Sold \$57.00 3 Bids, 14-Day Returns, eBay Money Back Guarantee. I have a Idylis Dehumidifiers Model #: WDH-1670EAP-1 ... I have a Idylis Dehumidifiers Model #: WDH-1670EAP-1 with a broken fan blade. I am trying to find a place to buy a replacement. It was bought from Lowe's but I ... UPC 840206120030 - Idylis 70-Pint 3-Speed Dehumidifier ... Idylis 70-pint 3-speed Dehumidifier With Built-in Pump Wdh-1670eap-1; Idylis 70-Pint 3-Speed Dehumidifier with Built-in Pump ENERGY STAR. More Info. UPC-A: 8 ... Idylis 526011 User Manual View and Download Idylis 526011 user manual online. 526011 dehumidifier pdf manual download. Also for: 526051. Dehumidifier Recall: How to Find Out if it Affects You As a warning to all buyers, be cautious of the Idylis WDH-1670EAP from Lowes. I had this unit and it started a fire in my home, destroying more than half of ... Idylis WDH-1670EA-1 for sale online Find many great new & used options and get the best deals for Idylis WDH-1670EA-1 at the best online prices at eBay! Free shipping for many products! penny ante equilibrium lab.pdf - Chemistry Name Date Part A - What are the properties of a system at equilibrium? 1.Place 42 pennies in containerR, none in containerP. 2.In each transfer round, reactant will move ... CHM171 - Penny Equilibrium Activity.docx Part A—What are the properties of a system at equilibrium? 1.Place 42 pennies in container R, none in container P. ... 2.In each transfer round, reactants will ... Answers - Penny Lab - YouTube Penny-Ante Equilibrium: A Classroom Activity—ChemTopic ... In the Penny-Ante Equilibrium: A Classroom Activity—ChemTopic™ Lab Activity, pennies are used as reactants and products in a reversible reaction to answer ... Period \_\_\_\_ Penny-Ante Equilibrium Activity Introduction ... pennies will be used as reactants and products in a reversible reaction to answer these questions and learn more about the fundamental nature of equilibrium. Get Penny Ante Equilibrium Lab Answers What kind of changes did you cause by heating the silver coin? When the silver-colored penny is heated, the outside zinc atoms and inside copper atoms move ... Penny Ante Equilibrium Activity Answers Form Penny Ante Equilibrium Lab Answers. Check out how easy it is to complete and eSign documents online using fillable templates and a powerful editor. Penny Ante Equilibrium Activity Answers Editing penny ante equilibrium activity answers online · 1. Set up an account. If you are a new user, click Start Free Trial and establish a profile. · 2. Prepare ... Free Essay: Lab Penny Ante 2 - 1080 Words Lab Penny Ante 2 · 1. Place 42 pennies in container R, none in container P. · 2. In each transfer round, reactant will move one-third of the pennies from ... Cengage Advantage Books: American Government and ... New features, up-to-date political news and analysis, and a great price make AMERICAN GOVERNMENT AND POLITICS TODAY: BRIEF EDITION, 2014-2015 a top seller. BUNDLE (2) AMERICAN GOVERNMENT

AND POLITICS ... New features, up-to-date political news and analysis, and a great price make AMERICAN GOVERNMENT AND POLITICS TODAY: BRIEF EDITION, 2014-2015 a top seller. American Government and Politics Today, Brief Edition, ... Praised for its balanced coverage, the book examines all the key concepts of American government, while providing exciting student-oriented features that focus ... American Government and Politics Today, 2014-2015 - ... New features, up-to-date political news and analysis, and a great price make AMERICAN GOVERNMENT AND POLITICS TODAY: BRIEF EDITION, 2014-2015 a top seller. American Government and Politics Today, Brief Edition ... American Government and Politics Today 2014-2015 Brief Edition Steffen W. Schmidt Iowa State University Mack C. Shelley II Iowa ... 9781285436388\_00a\_fm\_0i ... American Government and Politics Today, Brief Edition ... American Government and Politics Today, Brief Edition, 2014-2015. Condition is "Good". Shipped with USPS Priority Mail. Final sale. American Government and Politics Today, Brief Edition ... Cengage Advantage Books: American Government and Politics Today, Brief Edition, 2014-2015 ebook (1 Year Access) Steffen W Schmidt | Get Textbooks American Government and Politics Today, Brief Edition, 2014-2015 (Book Only) ... American Government and Politics Today, Brief Edition, 2012-2013 by Steffen W ... Cengage Advantage Books: American Government and ... New features, up-to-date political news and analysis, and a great price make AMERICAN GOVERNMENT AND POLITICS TODAY: BRIEF EDITION, 2014-2015 a top seller. Cengage Advantage Books: American Government and ... Cengage Advantage Books: American Government and Politics Today, Brief Edition, 2014-2015 (with CourseMate Printed Access Card). by Schmidt, Steffen W., ...