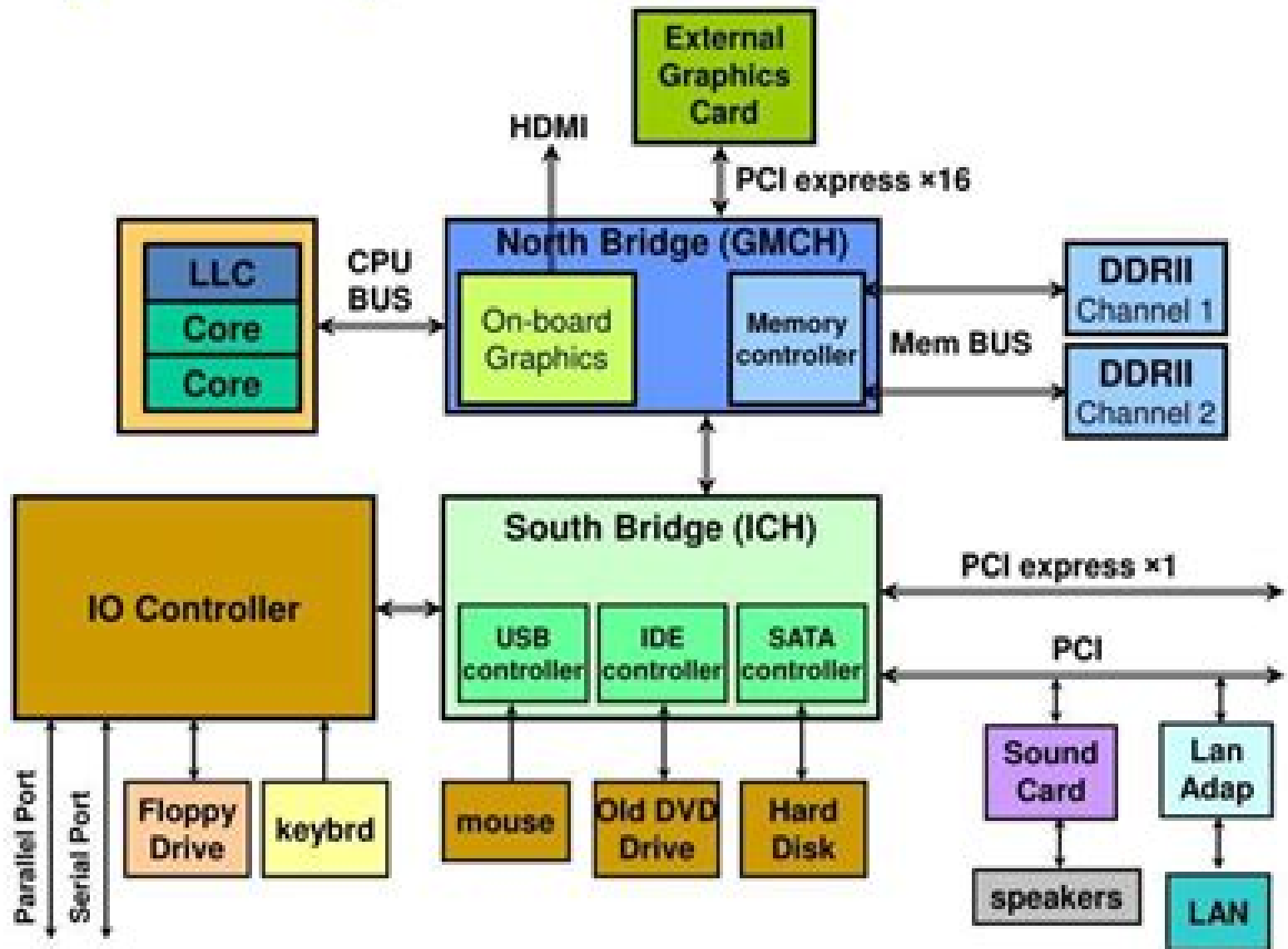


Computer System Structure – 2009



Architecture Of Small Computer Systems

Clifford Lane



Architecture Of Small Computer Systems:

Immerse yourself in the artistry of words with Crafted by is expressive creation, Discover the Artistry of **Architecture Of Small Computer Systems** . This ebook, presented in a PDF format (PDF Size: *), is a masterpiece that goes beyond conventional storytelling. Indulge your senses in prose, poetry, and knowledge. Download now to let the beauty of literature and artistry envelop your mind in a unique and expressive way.

<https://www.cruiselady.com/results/detail/Documents/Creating%20An%20American%20Culture%201775%2018.pdf>

Table of Contents Architecture Of Small Computer Systems

1. Understanding the eBook Architecture Of Small Computer Systems
 - The Rise of Digital Reading Architecture Of Small Computer Systems
 - Advantages of eBooks Over Traditional Books
2. Identifying Architecture Of Small Computer Systems
 - Exploring Different Genres
 - Considering Fiction vs. Non-Fiction
 - Determining Your Reading Goals
3. Choosing the Right eBook Platform
 - Popular eBook Platforms
 - Features to Look for in an Architecture Of Small Computer Systems
 - User-Friendly Interface
4. Exploring eBook Recommendations from Architecture Of Small Computer Systems
 - Personalized Recommendations
 - Architecture Of Small Computer Systems User Reviews and Ratings
 - Architecture Of Small Computer Systems and Bestseller Lists
5. Accessing Architecture Of Small Computer Systems Free and Paid eBooks
 - Architecture Of Small Computer Systems Public Domain eBooks
 - Architecture Of Small Computer Systems eBook Subscription Services
 - Architecture Of Small Computer Systems Budget-Friendly Options

6. Navigating Architecture Of Small Computer Systems eBook Formats
 - ePub, PDF, MOBI, and More
 - Architecture Of Small Computer Systems Compatibility with Devices
 - Architecture Of Small Computer Systems Enhanced eBook Features
7. Enhancing Your Reading Experience
 - Adjustable Fonts and Text Sizes of Architecture Of Small Computer Systems
 - Highlighting and Note-Taking Architecture Of Small Computer Systems
 - Interactive Elements Architecture Of Small Computer Systems
8. Staying Engaged with Architecture Of Small Computer Systems
 - Joining Online Reading Communities
 - Participating in Virtual Book Clubs
 - Following Authors and Publishers Architecture Of Small Computer Systems
9. Balancing eBooks and Physical Books Architecture Of Small Computer Systems
 - Benefits of a Digital Library
 - Creating a Diverse Reading Collection Architecture Of Small Computer Systems
10. Overcoming Reading Challenges
 - Dealing with Digital Eye Strain
 - Minimizing Distractions
 - Managing Screen Time
11. Cultivating a Reading Routine Architecture Of Small Computer Systems
 - Setting Reading Goals Architecture Of Small Computer Systems
 - Carving Out Dedicated Reading Time
12. Sourcing Reliable Information of Architecture Of Small Computer Systems
 - Fact-Checking eBook Content of Architecture Of Small Computer Systems
 - Distinguishing Credible Sources
13. Promoting Lifelong Learning
 - Utilizing eBooks for Skill Development
 - Exploring Educational eBooks
14. Embracing eBook Trends
 - Integration of Multimedia Elements

- Interactive and Gamified eBooks

Architecture Of Small Computer Systems Introduction

In today's digital age, the availability of Architecture Of Small Computer Systems books and manuals for download has revolutionized the way we access information. Gone are the days of physically flipping through pages and carrying heavy textbooks or manuals. With just a few clicks, we can now access a wealth of knowledge from the comfort of our own homes or on the go. This article will explore the advantages of Architecture Of Small Computer Systems books and manuals for download, along with some popular platforms that offer these resources. One of the significant advantages of Architecture Of Small Computer Systems books and manuals for download is the cost-saving aspect. Traditional books and manuals can be costly, especially if you need to purchase several of them for educational or professional purposes. By accessing Architecture Of Small Computer Systems versions, you eliminate the need to spend money on physical copies. This not only saves you money but also reduces the environmental impact associated with book production and transportation. Furthermore, Architecture Of Small Computer Systems books and manuals for download are incredibly convenient. With just a computer or smartphone and an internet connection, you can access a vast library of resources on any subject imaginable. Whether you're a student looking for textbooks, a professional seeking industry-specific manuals, or someone interested in self-improvement, these digital resources provide an efficient and accessible means of acquiring knowledge. Moreover, PDF books and manuals offer a range of benefits compared to other digital formats. PDF files are designed to retain their formatting regardless of the device used to open them. This ensures that the content appears exactly as intended by the author, with no loss of formatting or missing graphics. Additionally, PDF files can be easily annotated, bookmarked, and searched for specific terms, making them highly practical for studying or referencing. When it comes to accessing Architecture Of Small Computer Systems books and manuals, several platforms offer an extensive collection of resources. One such platform is Project Gutenberg, a nonprofit organization that provides over 60,000 free eBooks. These books are primarily in the public domain, meaning they can be freely distributed and downloaded. Project Gutenberg offers a wide range of classic literature, making it an excellent resource for literature enthusiasts. Another popular platform for Architecture Of Small Computer Systems books and manuals is Open Library. Open Library is an initiative of the Internet Archive, a non-profit organization dedicated to digitizing cultural artifacts and making them accessible to the public. Open Library hosts millions of books, including both public domain works and contemporary titles. It also allows users to borrow digital copies of certain books for a limited period, similar to a library lending system. Additionally, many universities and educational institutions have their own digital libraries that provide free access to PDF books and manuals. These libraries often offer academic texts, research papers, and technical manuals, making them invaluable resources for students and researchers. Some notable examples include MIT

OpenCourseWare, which offers free access to course materials from the Massachusetts Institute of Technology, and the Digital Public Library of America, which provides a vast collection of digitized books and historical documents. In conclusion, Architecture Of Small Computer Systems books and manuals for download have transformed the way we access information. They provide a cost-effective and convenient means of acquiring knowledge, offering the ability to access a vast library of resources at our fingertips. With platforms like Project Gutenberg, Open Library, and various digital libraries offered by educational institutions, we have access to an ever-expanding collection of books and manuals. Whether for educational, professional, or personal purposes, these digital resources serve as valuable tools for continuous learning and self-improvement. So why not take advantage of the vast world of Architecture Of Small Computer Systems books and manuals for download and embark on your journey of knowledge?

FAQs About Architecture Of Small Computer Systems Books

1. Where can I buy Architecture Of Small Computer Systems books? Bookstores: Physical bookstores like Barnes & Noble, Waterstones, and independent local stores. Online Retailers: Amazon, Book Depository, and various online bookstores offer a wide range of books in physical and digital formats.
2. What are the different book formats available? Hardcover: Sturdy and durable, usually more expensive. Paperback: Cheaper, lighter, and more portable than hardcovers. E-books: Digital books available for e-readers like Kindle or software like Apple Books, Kindle, and Google Play Books.
3. How do I choose a Architecture Of Small Computer Systems book to read? Genres: Consider the genre you enjoy (fiction, non-fiction, mystery, sci-fi, etc.). Recommendations: Ask friends, join book clubs, or explore online reviews and recommendations. Author: If you like a particular author, you might enjoy more of their work.
4. How do I take care of Architecture Of Small Computer Systems books? Storage: Keep them away from direct sunlight and in a dry environment. Handling: Avoid folding pages, use bookmarks, and handle them with clean hands. Cleaning: Gently dust the covers and pages occasionally.
5. Can I borrow books without buying them? Public Libraries: Local libraries offer a wide range of books for borrowing. Book Swaps: Community book exchanges or online platforms where people exchange books.
6. How can I track my reading progress or manage my book collection? Book Tracking Apps: Goodreads, LibraryThing, and Book Catalogue are popular apps for tracking your reading progress and managing book collections. Spreadsheets: You can create your own spreadsheet to track books read, ratings, and other details.

7. What are Architecture Of Small Computer Systems audiobooks, and where can I find them? Audiobooks: Audio recordings of books, perfect for listening while commuting or multitasking. Platforms: Audible, LibriVox, and Google Play Books offer a wide selection of audiobooks.
8. How do I support authors or the book industry? Buy Books: Purchase books from authors or independent bookstores. Reviews: Leave reviews on platforms like Goodreads or Amazon. Promotion: Share your favorite books on social media or recommend them to friends.
9. Are there book clubs or reading communities I can join? Local Clubs: Check for local book clubs in libraries or community centers. Online Communities: Platforms like Goodreads have virtual book clubs and discussion groups.
10. Can I read Architecture Of Small Computer Systems books for free? Public Domain Books: Many classic books are available for free as they're in the public domain. Free E-books: Some websites offer free e-books legally, like Project Gutenberg or Open Library.

Find Architecture Of Small Computer Systems :

creating an american culture 1775-1800

~~ere handbook of chromatography polymers ere handbook of chromatography~~

creating writers through 6-trait writing assessment and instruction third edition

crash dummiebeat belts make sense

~~craft of functional programming~~

creative communication clabroom resource

creations of a madman

~~creating and understanding drawings student edition~~

crawling band as an exchange rate regime lessons from chile colombia and israel

creating your own antique jewelry taking inspiration from great museums around the world

creative chicago from the chapbook to the university 1993

creating opportunity reducing poverty through economic development

cradle to the cross - octavo sath

creating a chinese harbin nationalism in an international city 1916-1932

~~crafty girl cool stuff~~

Architecture Of Small Computer Systems :

a closer look conservation of paintings alibris - Jun 01 2022

web painting conservation and restoration a closer look is the new series title for the updated and refreshed national gallery pocket guide range the series has been enhanced with a stronger format attractive design new photography and additional information

a closer look conservation of paintings ebook docslib - Mar 30 2022

web conservation course offerings spring 2021 table of contents summer 2009 scan a closer look conservation of paintings ebook views existing scholarship on eileen gray including prominent contributions from carolyn constant joseph rykwert beatriz colomina and others paintings conservation in australia from the nineteenth century

a closer look conservation of paintings goodreads - Jul 14 2023

web jan 1 2001 a closer look conservation of paintings discusses the material nature of paintings and the ways that they have changed both naturally and at the hands of previous restorers it also describes the main types of conservation treatment carried out on panel and canvas paintings and some of the complex issues involved in cleaning and restoration

behind the scenes in conservation the national gallery london - Feb 26 2022

web this painting likely served as the backboard of a bench or a chest or as part of the panelling in a florentine palace learn more about the painting and zoom into the details a closer look conservation of paintings

[a closer look conservation of paintings amazon com](#) - May 12 2023

web aug 11 2009 a closer look is a wonderful overview of conservation techniques it includes several interesting conservation case studies of different works from the national gallery s collection works with a variety of different conservation issues that required different approaches

a closer look conservation of paintings national gallery - Dec 07 2022

web a closer look conservation of paintings discusses the material nature of paintings and the ways that they have changed both naturally and at the hands of previous restorers it also describes the main types of conservation treatment carried out on panel and canvas paintings and some of the complex issues involved in cleaning and restoration

[a closer look conservation of paintings paperback](#) - Nov 06 2022

web aug 11 2009 a closer look is the new series title for the updated and refreshed national gallery pocket guide range the series has been enhanced with a

a closer look conservation of paintings kağıt kapak - Apr 11 2023

web a closer look conservation of paintings david bomford jill dunkerton updated by martin wyld updated by amazon com tr kitap

closer look conservation of paintings rarewaves com - Sep 04 2022

web a closer look is the new series title for the updated and refreshed national gallery pocket discusses and describes the material nature of paintings how they age and the main types of conservation treatment carried out on panel and canvas paintings along with some of the problems involved in cleaning and restoration

closer look conservation of paintings wordery com - Aug 03 2022

web aug 11 2009 get free shipping on closer look conservation of paintings by david bomford from wordery com a closer look is the new series title for the updated and refreshed national gallery pocket guide range the series has been enhanced with a stronger format attractive design new photography and additional information

pdf a closer look conservation of paintings studylib net - Oct 05 2022

web a closer look conservation of paintings discusses the material nature of paintings and the ways that they have changed both naturally and at the hands of previous restorers egg tempera s fast drying property makes it difficult to correct or revise

a closer look conservation of paintings mitpressbookstore - Jun 13 2023

web a closer look conservation of paintings discusses the material nature of paintings and the ways that they have changed both naturally and at the hands of previous restorers it also describes the main types of conservation treatment carried out on panel and canvas paintings and some of the complex issues involved in cleaning and restoration

a closer look conservation of paintings paperback - Aug 15 2023

web a closer look conservation of paintings discusses the material nature of paintings and the ways that they have changed both naturally and at the hands of previous restorers it also describes the main types of conservation treatment carried out on panel and canvas paintings and some of the complex issues involved in cleaning and restoration

a closer look conservation of paintings by bomford david - Apr 30 2022

web buy a closer look conservation of paintings by bomford david 2009 paperback by isbn from amazon s book store everyday low prices and free delivery on eligible orders

a closer look conservation of paintings national gallery - Mar 10 2023

web a closer look conservation of paintings be the first to review this product member price 8 09 become a member 8 99 add to basket find out more about delivery description the preservation of works of art for future generations is a central function of the national gallery

a closer look conservation of paintings secondsale com - Dec 27 2021

web buy a closer look conservation of paintings paperback book by david bomford from as low as 20 71

a closer look conservation of paintings yalebooks yale edu - Feb 09 2023

web aug 11 2009 a closer look conservation of paintings by david bomford contributions by jill dunkerton and martin wyld

series a closer look 96 pages 5 75 x 8 50 in 90 color illus paperback 9781857094411 published tuesday 11 aug 2009 15 00
buy also available at

a closer look conservation of paintings paperback amazon ae - Jul 02 2022

web buy a closer look conservation of paintings by bomford david dunkerton jill wyld martin online on amazon ae at best prices fast and free shipping free returns cash on delivery available on eligible purchase

a closer look conservation of paintings softcover abebooks - Jan 08 2023

web a closer look conservation of paintings discusses the material nature of paintings and the ways that they have changed both naturally and at the hands of previous restorers it also describes the main types of conservation treatment carried out on panel and canvas paintings and some of the complex issues involved in cleaning and restoration

[a closer look conservation of paintings by bomford david](#) - Jan 28 2022

web a closer look conservation of paintings by bomford david 2009 on amazon com free shipping on qualifying offers a closer look conservation of paintings by bomford david 2009

das anti altersheimer lebensarchiv so retten sie - Mar 28 2022

web anti altersheimer lebensarchiv vera f birkenbihl das anti altersheimer lebensarchiv so retten sie wichtige ernst heimeran lehrer die online kptm edu my 16 112

das anti altersheimer lebensarchiv by vera birkenbihl is - Aug 01 2022

web back to das anti altersheimer lebensarchiv find a digital library with das anti altersheimer lebensarchiv near you search by city zip code or library name search learn more about precise location detection showing public libraries k 12 schools library name distance show all our apps libby sora kanopy

9783868820058 das anti altersheimer lebensarchiv so retten sie - Jan 06 2023

web das anti altersheimer lebensarchiv so retten sie wichtige erinnerungen als teil ihrer persönlichkeit von birkenbihl vera f beim zvab com isbn 10 3868820051 isbn 13 9783868820058 mvg moderne vlgs ges 2009 hardcover

das anti altersheimer lebensarchiv so retten sie wichtige - Sep 14 2023

web may 9 2009 das anti altersheimer lebensarchiv so retten sie wichtige erinnerungen als teil ihrer persönlichkeit birkenbihl vera amazon de books

das anti altersheimer lebensarchiv so retten sie - Apr 28 2022

web das anti altersheimer lebensarchiv so retten sie downloaded from alpaca awamaki org by guest mckee kennedi encyclopedia of martin luther and the reformation das anti altersheimer lebensarchiv a step by step gentle journey through the mathematics of neural networks and making your own using the python computer

das anti altersheimer lebensarchiv so retten sie pdf - Feb 07 2023

web explain fermi s paradox the fact that the cosmos seemingly so fertile and with so many planets suitable for life is as silent as a graveyard we must immediately send astronauts to mars to maximize our knowledge of what happened there and learn how to avoid mars fate includes an 8 page color section no one better feb 20 2022

das anti alterssheimer lebensarchiv so retten sie pdf - Dec 05 2022

web 4 das anti alterssheimer lebensarchiv so retten sie 2022 03 11 movements that followed him in history and through today entries explore luther s contributions to theology sacraments his influence on the church and contemporaries his character and more transactional analysis in psychotherapy peter lang incorporated international

das anti alterssheimer lebensarchiv so retten sie wichtige fnac - Mar 08 2023

web so retten sie wichtige erinnerungen als teil ihrer persönlichkei das anti alterssheimer lebensarchiv vera birkenbihl mvv verlag des milliers de livres avec la livraison chez vous en 1 jour ou en magasin avec 5 de réduction

das anti alterssheimer lebensarchiv so retten sie - Jun 30 2022

web 2 das anti alterssheimer lebensarchiv so retten sie 2022 09 08 freud s outstanding colleague jung s twin brother walter de gruyter gmbh co kg according to the annual unicef report the state of the world s children progress has been achieved in the fight against poverty but the inequalities in children s conditions still exist

das anti alterssheimer lebensarchiv so retten sie - Oct 03 2022

web merely said the das anti alterssheimer lebensarchiv so retten sie is universally compatible with any devices to read visible magic robert ausbourne 2012 optical illusions a magical melding of science and art appeal to all ages

das anti alterssheimer lebensarchiv so retten sie copy - Feb 24 2022

web das anti alterssheimer lebensarchiv so retten sie 3 3 raspberry pi manual for beginners step by step guide to the first raspberry pi project living stream ministry this first of its kind book uniquely captures the meanings of work expressed by immigrants their stories from work histories to life transitions and professional

das anti alterssheimer lebensarchiv so retten sie wichtige - Aug 13 2023

web das anti alterssheimer lebensarchiv so retten sie wichtige erinnerungen als teil ihrer persönlichkei ebook birkenbihl vera amazon de kindle shop bücher

das anti alterssheimer lebensarchiv so retten sie 2023 - Nov 04 2022

web photographs das anti alterssheimer lebensarchiv so retten sie wichtige jun 11 2022 das anti alterssheimer lebensarchiv so retten sie wichtige erinnerungen als teil ihrer persönlichkei von vera birkenbihl vera f birkenbihl hat eine methode zur verbesserung des gedächtnisses entwickelt die wie ein tagebuch funktioniert how

das anti alterssheimer lebensarchiv overdrive - Jun 11 2023

web may 19 2009 das anti alterssheimer lebensarchiv ebook mid so retten sie wichtige erinnerungen als teil ihrer

persönlichkeit by vera birkenbihl read a sample sign up to save your library with an overdrive account you can save your favorite libraries for at a glance information about availability find out more about overdrive accounts

pdf das anti altersheimer lebensarchiv by vera birkenbihl - Apr 09 2023

web vera f birkenbihl hat eine methode zur verbesserung des gedächtnisses entwickelt die wie ein tagebuch funktioniert der leser lernt die wichtigsten ereignisse der woche festzuhalten stichworte bewusst und präzise zu wählen und wesentliches von unwesentlichem zu unterscheiden

das anti altersheimer lebensarchiv so retten sie wichtige - May 30 2022

web oct 8 2023 altersheimer lebensarchiv so retten sie wichtige das anti altersheimer lebensarchiv vera birkenbihl mvg spielplatz ist überall ideen für kindergarten krippe inhalt medienbox für seniorenarbeit 1 kostenloser download

das anti altersheimer lebensarchiv so retten sie wichtige - May 10 2023

web may 19 2009 buy das anti altersheimer lebensarchiv so retten sie wichtige erinnerungen als teil ihrer persönlichkei
german edition read kindle store reviews amazon com

das anti altersheimer lebensarchiv so retten sie wichtige - Sep 02 2022

web das anti altersheimer lebensarchiv so retten sie wichtige erinnerungen als teil ihrer persönlichkei german edition ebook
birkenbihl vera amazon com mx tienda kindle

das anti altersheimer lebensarchiv so retten sie wichtige - Jul 12 2023

web der leser lernt die wichtigsten ereignisse der woche festzuhalten stichworte bewusst und präzise zu wählen und
wesentliches von unwesentlichem zu unterscheiden dadurch wird das

das anti altersheimer lebensarchiv so retten sie wichtige - Oct 15 2023

web das anti altersheimer lebensarchiv so retten sie wichtige erinnerungen als teil ihrer persönlichkei birkenbihl vera isbn
9783868820058 kostenloser versand für alle bücher mit versand und verkauf duch amazon

jessica jones all new all different t03 full pdf old vulkk - Mar 09 2023

web jessica jones all new all different t03 downloaded from old vulkk com by guest samir kirk jessica jones the pulse 2 marvel
collection marvel entertainment all she ever

jessica jones season 3 finale recap aka everything ew com - Dec 26 2021

web jun 17 2019 pretty much every major jessica jones character is forced to confront the enormity of their failures in this
finale with a personalized one liner tell off each jeri

jessica jones all new all different t03 2022 - Sep 22 2021

jessica jones all new all different t03 by amazon ae - Aug 14 2023

web buy jessica jones all new all different t03 by online on amazon ae at best prices fast and free shipping free returns cash on delivery available on eligible purchase

jessica jones all new all different t03 wiki alltforforaldrar - Jan 27 2022

web jessica jones and luke cage a major development in the life of echo and the story of how the skrull empire was able to infiltrate the marvel universe and who instigated the

jessica jones all new all different t03 paperback - Oct 04 2022

web amazon co jp jessica jones all new all different t03 japanese books skip to main content co jp hello select your address japanese books amazon points

jessica jones all new all different t03 pdf dallas lin 14 - Nov 05 2022

web jessica jones all new all different t03 the pulse alias alias omnibus new printing avengers jessica jones scarred superhero jessica jones purple daughter the

jessica jones all new all different t03 projects techhut - Jan 07 2023

web all different t03 jessica jones uncaged jessica jones new avengers vol 8 ask for the ancient paths jessica jones scarred superhero bonfire jessica jones marvel s

jessica jones all new all different t03 pdf design bluesquare - Aug 02 2022

web jessica jones uncaged new avengers vol 8 bonfire jessica jones jessica jones all new all different t03 downloaded from design bluesquare org by guest malik bryan

jessica jones all new all different t03 by brian m bendis - Feb 25 2022

web jun 25 2023 jessica jones all new all different t03 by brian m bendis michael gaydos 6512 9 Éditeur panini date de publication 23 08 2017 collection pan marvel

jessica jones tv series 2015 2019 imdb - Oct 24 2021

web jessica jones all new all different t03 jessica jones blind spot mpgn jessica jones come home defenders vol 2 jessica jones jessica jones vol 1 working class

jessica jones all new all different t03 paperback amazon com - Feb 08 2023

web sep 12 2018 jessica jones all new all different t03 bendis brian m gaydos michael on amazon com free shipping on qualifying offers jessica jones all new

jessica jones tv series 2015 2019 episode list imdb - Nov 24 2021

web the sandwich saved me november 20 2015 despite jessica s objections trish s new friend simpson gets involved in the hunt for kilgrave jessica recalls a pivotal moment in

jessica jones all new all different t03 full pdf ftp popcake - Jul 01 2022

web jessica jones all new all different t03 alias volume 4 defenders vol 1 come home defenders vol 2 ms marvel vol 1 les secrets de maria hill pearl 2018 9 jessica

jessica jones all new all different t03 full pdf - Sep 03 2022

web jessica jones purple daughter the unpretentious guide to wedding photography jessica jones 2016 jessica jones all new all different t03 downloaded from

jessica jones all new all different t03 paperback amazon com au - Jul 13 2023

web jessica jones all new all different t03 bendis brian m gaydos michael amazon com au books

jessica jones all new all different t03 amazon de - May 11 2023

web jessica jones all new all different t03 brian m bendis amazon de books skip to main content de hello select your address all select the department you want to

jessica jones all new all different t03 2022 crm gte travel - Apr 29 2022

web jessica jones jessica jones vol 1 jessica jones all new all different t03 downloaded from crm gte travel by guest denisse mccann jessica jones

jessica jones all new all different t03 pdf uniport edu - May 31 2022

web mar 2 2023 jessica jones all new all different t03 2 6 downloaded from uniport edu ng on march 2 2023 by guest visual images language and discourse work as systems of

jessica jones tv series 2015 2019 episode list imdb - Mar 29 2022

web s3 e8 a k a camera friendly fri jun 14 2019 when sallinger posts a video teasing his next crime jessica responds with her own media play jeri demands that malcolm

amazon in buy jessica jones all new all different t03 book - Apr 10 2023

web amazon in buy jessica jones all new all different t03 book online at best prices in india on amazon in read jessica jones all new all different t03 book reviews author

jessica jones all new all different t03 download only - Dec 06 2022

web jessica jones all new all different t03 jessica jones scarred superhero pearl 2018 9 alias omnibus new printing jessica jones vol 2 bonfire ms marvel vol 1 the

jessica jones all new all different t03 paperback amazon co uk - Jun 12 2023

web buy jessica jones all new all different t03 by bendis brian m gaydos michael isbn 9782809473308 from amazon s book store everyday low prices and free delivery on