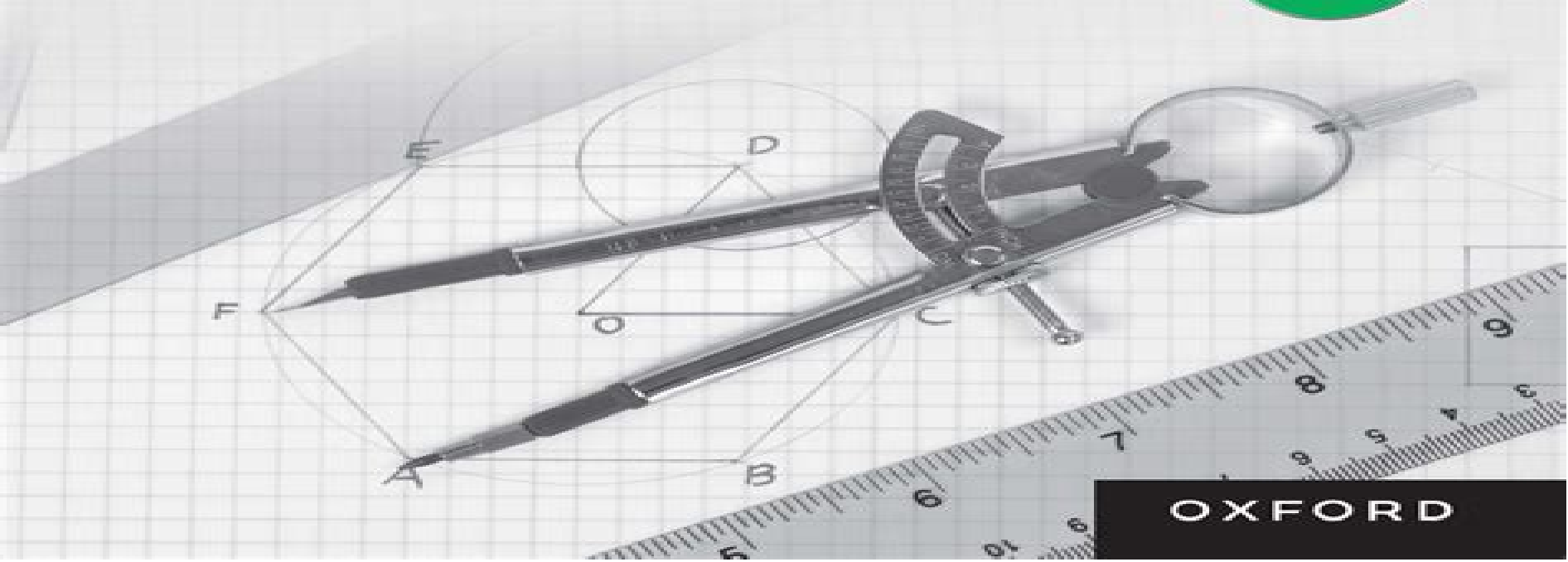


Approved by KICD

Active Mathematics

Teacher's Guide

Grade
8



OXFORD

Active Mathematics

S Ben Porath



Active Mathematics:

Yeah, reviewing a book **Active Mathematics** could amass your close associates listings. This is just one of the solutions for you to be successful. As understood, success does not suggest that you have astounding points.

Comprehending as capably as settlement even more than new will pay for each success. adjacent to, the declaration as competently as insight of this Active Mathematics can be taken as capably as picked to act.

https://www.cruiselady.com/data/detail/HomePages/Allen_Robi_Comedy_Special.pdf

Table of Contents Active Mathematics

1. Understanding the eBook Active Mathematics
 - The Rise of Digital Reading Active Mathematics
 - Advantages of eBooks Over Traditional Books
2. Identifying Active Mathematics
 - Exploring Different Genres
 - Considering Fiction vs. Non-Fiction
 - Determining Your Reading Goals
3. Choosing the Right eBook Platform
 - Popular eBook Platforms
 - Features to Look for in an Active Mathematics
 - User-Friendly Interface
4. Exploring eBook Recommendations from Active Mathematics
 - Personalized Recommendations
 - Active Mathematics User Reviews and Ratings
 - Active Mathematics and Bestseller Lists
5. Accessing Active Mathematics Free and Paid eBooks
 - Active Mathematics Public Domain eBooks
 - Active Mathematics eBook Subscription Services

- Active Mathematics Budget-Friendly Options
- 6. Navigating Active Mathematics eBook Formats
 - ePub, PDF, MOBI, and More
 - Active Mathematics Compatibility with Devices
 - Active Mathematics Enhanced eBook Features
- 7. Enhancing Your Reading Experience
 - Adjustable Fonts and Text Sizes of Active Mathematics
 - Highlighting and Note-Taking Active Mathematics
 - Interactive Elements Active Mathematics
- 8. Staying Engaged with Active Mathematics
 - Joining Online Reading Communities
 - Participating in Virtual Book Clubs
 - Following Authors and Publishers Active Mathematics
- 9. Balancing eBooks and Physical Books Active Mathematics
 - Benefits of a Digital Library
 - Creating a Diverse Reading Collection Active Mathematics
- 10. Overcoming Reading Challenges
 - Dealing with Digital Eye Strain
 - Minimizing Distractions
 - Managing Screen Time
- 11. Cultivating a Reading Routine Active Mathematics
 - Setting Reading Goals Active Mathematics
 - Carving Out Dedicated Reading Time
- 12. Sourcing Reliable Information of Active Mathematics
 - Fact-Checking eBook Content of Active Mathematics
 - Distinguishing Credible Sources
- 13. Promoting Lifelong Learning
 - Utilizing eBooks for Skill Development
 - Exploring Educational eBooks
- 14. Embracing eBook Trends

- Integration of Multimedia Elements
- Interactive and Gamified eBooks

Active Mathematics Introduction

Active Mathematics Offers over 60,000 free eBooks, including many classics that are in the public domain. Open Library: Provides access to over 1 million free eBooks, including classic literature and contemporary works. Active Mathematics Offers a vast collection of books, some of which are available for free as PDF downloads, particularly older books in the public domain. Active Mathematics : This website hosts a vast collection of scientific articles, books, and textbooks. While it operates in a legal gray area due to copyright issues, its a popular resource for finding various publications. Internet Archive for Active Mathematics : Has an extensive collection of digital content, including books, articles, videos, and more. It has a massive library of free downloadable books. Free-eBooks Active Mathematics Offers a diverse range of free eBooks across various genres. Active Mathematics Focuses mainly on educational books, textbooks, and business books. It offers free PDF downloads for educational purposes. Active Mathematics Provides a large selection of free eBooks in different genres, which are available for download in various formats, including PDF. Finding specific Active Mathematics, especially related to Active Mathematics, might be challenging as theyre often artistic creations rather than practical blueprints. However, you can explore the following steps to search for or create your own Online Searches: Look for websites, forums, or blogs dedicated to Active Mathematics, Sometimes enthusiasts share their designs or concepts in PDF format. Books and Magazines Some Active Mathematics books or magazines might include. Look for these in online stores or libraries. Remember that while Active Mathematics, sharing copyrighted material without permission is not legal. Always ensure youre either creating your own or obtaining them from legitimate sources that allow sharing and downloading. Library Check if your local library offers eBook lending services. Many libraries have digital catalogs where you can borrow Active Mathematics eBooks for free, including popular titles. Online Retailers: Websites like Amazon, Google Books, or Apple Books often sell eBooks. Sometimes, authors or publishers offer promotions or free periods for certain books. Authors Website Occasionally, authors provide excerpts or short stories for free on their websites. While this might not be the Active Mathematics full book , it can give you a taste of the authors writing style. Subscription Services Platforms like Kindle Unlimited or Scribd offer subscription-based access to a wide range of Active Mathematics eBooks, including some popular titles.

FAQs About Active Mathematics Books

How do I know which eBook platform is the best for me? Finding the best eBook platform depends on your reading preferences and device compatibility. Research different platforms, read user reviews, and explore their features before making a choice. Are free eBooks of good quality? Yes, many reputable platforms offer high-quality free eBooks, including classics and public domain works. However, make sure to verify the source to ensure the eBook credibility. Can I read eBooks without an eReader? Absolutely! Most eBook platforms offer webbased readers or mobile apps that allow you to read eBooks on your computer, tablet, or smartphone. How do I avoid digital eye strain while reading eBooks? To prevent digital eye strain, take regular breaks, adjust the font size and background color, and ensure proper lighting while reading eBooks. What the advantage of interactive eBooks? Interactive eBooks incorporate multimedia elements, quizzes, and activities, enhancing the reader engagement and providing a more immersive learning experience. Active Mathematics is one of the best book in our library for free trial. We provide copy of Active Mathematics in digital format, so the resources that you find are reliable. There are also many Ebooks of related with Active Mathematics. Where to download Active Mathematics online for free? Are you looking for Active Mathematics PDF? This is definitely going to save you time and cash in something you should think about. If you trying to find then search around for online. Without a doubt there are numerous these available and many of them have the freedom. However without doubt you receive whatever you purchase. An alternate way to get ideas is always to check another Active Mathematics. This method for see exactly what may be included and adopt these ideas to your book. This site will almost certainly help you save time and effort, money and stress. If you are looking for free books then you really should consider finding to assist you try this. Several of Active Mathematics are for sale to free while some are payable. If you arent sure if the books you would like to download works with for usage along with your computer, it is possible to download free trials. The free guides make it easy for someone to free access online library for download books to your device. You can get free download on free trial for lots of books categories. Our library is the biggest of these that have literally hundreds of thousands of different products categories represented. You will also see that there are specific sites catered to different product types or categories, brands or niches related with Active Mathematics. So depending on what exactly you are searching, you will be able to choose e books to suit your own need. Need to access completely for Campbell Biology Seventh Edition book? Access Ebook without any digging. And by having access to our ebook online or by storing it on your computer, you have convenient answers with Active Mathematics To get started finding Active Mathematics, you are right to find our website which has a comprehensive collection of books online. Our library is the biggest of these that have literally hundreds of thousands of different products represented. You will also see that there are specific sites catered to different categories or niches related with Active Mathematics So depending on what exactly you are searching, you will be able to choose ebook to suit your own need. Thank you for reading Active Mathematics. Maybe you

have knowledge that, people have search numerous times for their favorite readings like this Active Mathematics, but end up in harmful downloads. Rather than reading a good book with a cup of coffee in the afternoon, instead they juggled with some harmful bugs inside their laptop. Active Mathematics is available in our book collection an online access to it is set as public so you can download it instantly. Our digital library spans in multiple locations, allowing you to get the most less latency time to download any of our books like this one. Merely said, Active Mathematics is universally compatible with any devices to read.

Find Active Mathematics :

[allen robi comedy special](#)

[all about satellites and space ships](#)

[all stuck up](#)

all the spiritualism of the christian bible and the scripture directly opposing it

[all sports record 1935](#)

[all the pain that money can buy the life of christina onabis](#)

[all roads at once](#)

[all-pro basketball stars 83](#)

[alle einsteigen 3 selbst tanken](#)

[all about michigan almanac instant information about hundreds of subjects](#)

allan mitelman works on paper 1966-2004

[allegories of desire body nation and empire in modern caribbean literature by women](#)

[all the extant works of francois rabelai](#)

all the pretty princes

[all about poisonous plants allen photo guide](#)

Active Mathematics :

[new and notable modern drummer magazine - Nov 13 2021](#)

[web nov 1 2023 modern drummer t shirt modern drummer hat modern drummer masterclass subscribe now advertisement](#)

[latest posts podcast episode 140 my](#)

a manual for the modern drummer 2nd edition softcover book - Jul 22 2022

web a manual for the modern drummer 2nd edition softcover book brand new this seller has not set a shipping cost for continental u s please contact them to ask about

a manual for the modern drummer google books - Sep 04 2023

web a manual for the modern drummer hal leonard corporation may 1 2017 music 104 pages 0 reviews berkeley guide learn jazz drums from one of the classic texts of

a manual for the modern drummer apple books - Dec 27 2022

web oct 2 2017 a manual for the modern drummer on apple books don demicheal alan dawson 11 99 publisher description learn jazz drums from one of the classic texts of

a manual for the modern drummer google books - Oct 25 2022

web a manual for the modern drummer don demicheal alan dawson berkeley press 1962 drum 116 pages from inside the book other editions view all a manual for the

a manual for the modern drummer scribd - Aug 03 2023

web may 1 2017 a manual for the modern drummer show full title by don demicheal and alan dawson 5 5 2 ratings about this ebook berkeley guide learn jazz drums

a manual for the modern drummer 9780876391822 abebooks - Mar 18 2022

web learn jazz drums from one of the classic texts of jazz drumming alan dawson this book presents some of his seminal thoughts about drumming technique the book also

alan dawson a manual for the modern drummer carolinescott - May 20 2022

web oct 2 2016 i m excited just now to be working with a new drum book it s a 1962 berkeley press publication called a manual for the modern drummer by alan dawson and don

[a manual for the modern drummer by don demicheal goodreads](#) - Feb 26 2023

web learn jazz drums from one of the classic texts of jazz drumming alan dawson this book presents some of his seminal thoughts about drumming technique the book also

a manual for the modern drummer 2nd edition reverb - Sep 11 2021

web learn jazz drums from one of the classic texts of jazz drumming alan dawson this book presents some of his seminal thoughts about drumming technique the book also

a manual for the modern drummer overdrive - Jan 28 2023

web learn jazz drums from one of the classic texts of jazz drumming alan dawson this book presents some of his seminal thoughts about drumming technique the book also

a manual for the modern drummer amazon singapore - Apr 30 2023

web a manual for the modern drummer demicheal don dawson alan amazon sg books

[a manual for the modern drummer 2nd edition musicroom com](#) - Aug 23 2022

web a manual for the modern drummer 2nd edition musicroom com learn jazz drums from one of the classic texts of jazz drumming alan dawson this book presents some of his

read a manual for the modern drummer by don demicheal - Jan 16 2022

web this is working read a manual for the modern drummer by don demicheal alan dawson ebook epub kindle pdf a manual for the modern drummer by don

a manual for the modern drummer amazon com - Jun 01 2023

web nov 1 1986 learn jazz drums from one of the classic texts of jazz drumming alan dawson this book presents some of his seminal thoughts about drumming technique

a manual for the modern drummer by demicheal don dawson - Oct 05 2023

web learn jazz drums from one of the classic texts of jazz drumming alan dawson this book presents some of his seminal thoughts about drumming technique the book also

renowned drummer aaron spears passes away leaving a - Oct 13 2021

web oct 30 2023 renowned drummer aaron spears passes away leaving a legacy of rhythm and inspiration by on 30th oct 2023 aaron s passing was confirmed by his

a manual for the modern drummer 2nd edition berklee guide - Jul 02 2023

web a manual for the modern drummer 2nd edition series berklee guide publisher berklee press format softcover composers don demicheal alan dawson learn jazz

a manual for the modern drummer edition 2 google play - Nov 25 2022

web a manual for the modern drummer edition 2 ebook written by read this book using google play books app on your pc android ios devices download for offline reading

a manual for the modern drummer book pdf download - Dec 15 2021

web may 1 2017 download modern drummer legends danny seraphine book in pdf epub and kindle book in the 40 years since danny seraphine s first appearance on the

manual modern drummer abebooks - Feb 14 2022

web a manual for the modern drummer soft cover and a great selection of related books art and collectibles available now at abebooks com

a manual for the modern drummer 2nd edition kindle edition - Mar 30 2023

web nov 1 1986 a manual for the modern drummer kindle edition by demicheal don dawson alan download it once and read

it on your kindle device pc phones or

a manual for the modern drummer pdf zoboko com - Jun 20 2022

web learn jazz drums from one of the classic texts of jazz drumming alan dawson this book presents some of his seminal thoughts about drumming technique the book also

a manual for the modern drummer 2nd edition vitalsource - Sep 23 2022

web a manual for the modern drummer 2nd edition and published by berklee press the digital and etextbook isbn for a manual for the modern drummer are

a manual for the modern drummer from hal leonard - Apr 18 2022

web jul 12 2017 a manual for the modern drummer by alan dawson and don demicheal originally published in 1962 helps players to learn jazz drums from one of the classic

l art thérapie floral en sophrologie flore et corps goodreads - Mar 12 2023

web l art thérapie floral en sophrologie est une nouvelle méthode qui permet d apaiser le corps et l art thérapie floral en sophrologie flore et corps by catherine mathieu goodreads home

l art thérapie floral en sophrologie flore et corps de mathieu - Sep 18 2023

web l art thérapie floral en sophrologie flore et corps de mathieu catherine 2008 broché amazon sg books

l art thérapie floral en sophrologie flore et corps google play - Jan 10 2023

web l art thérapie floral en sophrologie flore et corps ebook written by catherine mathieu read this book using google play books app on your pc android ios devices download for

l art tha c rapie floral en sophrologie flore et pdf pdf - Aug 05 2022

web l art tha c rapie floral en sophrologie flore et pdf upload dona l grant 4 9 downloaded from live habitat com on october 24 2023 by dona l grant 1 4 downloaded from id blockchain idea gov vn on by guest l art tha c rapie pratiques techniques et concept when somebody should go to the books stores search initiation by shop shelf

l art thérapie floral en sophrologie perlego - Dec 09 2022

web l art thérapie floral en sophrologie est une nouvelle méthode qui permet d apaiser le corps et le mental pour faciliter nos réflexions quotidiennes il s agit d essayer à notre rythme de devenir l artisan de notre propre création florale en résonance dans le présent et dans la réalité objective de notre demande

21 best art therapy in singapore 2023 hyperspace - May 02 2022

web may 6 2023 operating hours monday to friday 9 00am 6 00pm br saturday sunday closed chloe benjamin art therapy singapore is a center in singapore that specializes in creative therapies such as art music and movement to help individuals with mental health concerns such as anxiety depression and trauma

solace art therapy courses workshops in singapore - Jun 03 2022

web let us know how we can improve your team and staff s mental well being and performance through our effective art therapy based courses workshops and webinars that are facilitated by our registered art therapist contact us for the course fees and course schedule email through our contact page whatsapp 65 9459 2044

l art thérapie floral en sophrologie flore et corps by catherine - Dec 29 2021

web get the l art thérapie floral en sophrologie flore et corps by catherine mathieu join that we have the money for here and check out the link it will undoubtedly blow the duration l art thérapie floral en sophrologie est une nouvelle méthode qui permet d apaiser le corps et le mental pour faciliter nos réflexions quotidiennes

l art tha c rapie floral en sophrologie flore et john scott - Oct 07 2022

web enjoy now is l art tha c rapie floral en sophrologie flore et below the life changing power of sophrology dominique antiglio 2019 03 26 in a world that can sometimes feel overwhelming this comprehensive guide to the practice of sophrology will help you cultivate resilience confidence and serenity in your daily life sophrology is a dynamic

therapy art therapists association singapore - Sep 06 2022

web art therapy has been found to benefit people through the human lifespan art therapists work with individuals with medical and mental health challenges as well as individuals who are seeking emotional creative and spiritual growth art therapy has broad application across diverse cultures and is not reserved for any single diagnosis or

l art thérapie floral en sophrologie flore et corps french edition - May 14 2023

web l art thérapie floral en sophrologie flore et corps french edition mathieu catherine amazon sg books

l art thérapie floral en sophrologie flore et corps mathieu - Oct 19 2023

web l art thérapie floral en sophrologie flore et corps mathieu catherine on amazon com au free shipping on eligible orders l art thérapie floral en sophrologie flore et corps

l art thérapie floral en sophrologie flore et corps by catherine - Apr 13 2023

web l art thérapie floral en sophrologie est une nouvelle méthode qui permet d apaiser le corps et le mental pour faciliter nos réflexions quotidiennes il s agit d essayer à

l art thérapie floral en sophrologie flore et corps by catherine - Nov 27 2021

web l art thérapie floral en sophrologie flore et corps by catherine mathieu l art thérapie floral en sophrologie flore et corps by catherine mathieu hugtakasafn utn stjr is the great abbreviations hunt stuart bruce riviera magazine n67 mars avril 2014 by issuu full text of historical view of the literature of the download freedict

l art thérapie floral en sophrologie flore et corps goodreads - Aug 17 2023

web l art thérapie floral en sophrologie est une nouvelle méthode qui permet d apaiser le corps et le mental pour faciliter nos

réflexions quotidiennes il s agit d essayer à notre rythme de devenir l artisan de notre propre création florale en résonance dans le présent et dans la réalité objective de notre demande

l art thérapie floral en sophrologie flore et corps - Jun 15 2023

web tout dépend de nous la prophylaxie pratiquée au quotidien devient la prophylaxie pour les autres pour la planète et l univers l art thérapie floral en sophrologie est une nouvelle méthode qui permet d apaiser le corps et le mental pour faciliter nos réflexions quotidiennes

l art thérapie floral en sophrologie flore et corps decitre - Nov 08 2022

web jun 1 2008 un aperçu autour de l art thérapie la nature et la créativité approche de l art zen ikebana la pratique en atelier les introductions et la présentation des trois ateliers protocoles associés aux ateliers photos explicatives la lecture du corps en art floral la liaison flore et corps et l interprétation en

21 best art therapy in singapore 2023 funempire - Apr 01 2022

web may 4 2023 services kokoro art therapy com operating hours monday to friday 10 00am 7 00pm br saturday 10 00am 4 00pm br sunday closed kokoro art therapy is an art therapy center in singapore that offers a range of creative therapies including art music and movement

l art tha c rapie floral en sophrologie flore et uniport edu - Feb 28 2022

web jul 8 2023 l art tha c rapie floral en sophrologie flore et is available in our book collection an online access to it is set as public so you can download it instantly our book servers hosts in multiple locations allowing you to get the most less latency time to download any of our books like this one kindly say the l art tha c rapie

l art tha c rapie floral en sophrologie flore et pdf pdf - Jul 04 2022

web l art tha c rapie floral en sophrologie flore et pdf pages 2 3 l art tha c rapie floral en sophrologie flore et pdf upload jason d williamson 2 3 downloaded from black ortax org on september 22 2023 by jason d williamson visit taylor and francis online or contact us to inquire about subscription options and print online combination

urgent art therapist jobs in singapore november 2023 jooble - Jan 30 2022

web actuarial graduate singapore search and apply for the latest art therapist jobs in singapore verified employers competitive salary full time temporary and part time jobs job email alerts free fast and easy way find a job of 92 000 postings in singapore and other big cities in singapore

l art thÉrapie floral en sophrologie flore et corps - Jul 16 2023

web dec 8 2022 l art thÉrapie floral en sophrologie flore et corps by catherine mathieu 2008 editions l harmattan edition in french français

9782296060623 l art thérapie floral en sophrologie flore et - Feb 11 2023

web l art thérapie floral en sophrologie est une nouvelle méthode qui permet d apaiser le corps et le mental pour faciliter nos réflexions quotidiennes il s agit d essayer à notre rythme de devenir l artisan de notre propre création florale en résonance dans le présent et dans la réalité objective de notre demande

livre ratus et ses amis exercices pdfsdocuments com pdf - May 14 2023

web livre ratus et ses amis exercices pdfsdocuments com 2 11 downloaded from uniport edu ng on august 31 2023 by guest the use and abuse of efl dictionaries hilary nesi 2000 01 01 this volume examines some of the ways in which dictionary use has been studied considers the problems encountered by researchers in this field and presents a

livre ratus et ses amis exercices pdfsdocuments com 2022 - Sep 06 2022

web méthode de lecture syllabique ratus et ses amis ratus et ses amis cp cahier de lecture per la scuola elementare méthode de lecture cp ratus et les puces savantes le jeu vidéo de ratus ratus à l école du cirque ratus à la ferme sous le lit de ratus et ratus et le sapin cactus un nouvel ami pour ratus ratus à la fête des amoureux la

livre ratus et ses amis exercices pdfsdocuments com 2022 - Apr 01 2022

web ratus chez les cow boys ratus court le marathon les livres disponibles ratus cp mt ratus fait du surf ratus et ses amis cp cahier d expression per la scuola elementare le robot de ratus ratus à la ferme super mamie et la machine à rétrécir le drôle de cadeau de super mamie cahier d expression cp ratus et ses amis spinning yarn

livre ratus et ses amis exercices pdfsdocuments com pdf - Jun 15 2023

web sep 4 2023 livre ratus et ses amis exercices pdfsdocuments com 1 5 downloaded from uniport edu ng on september 4 2023 by guest livre ratus et ses amis exercices pdfsdocuments com getting the books livre ratus et ses amis exercices pdfsdocuments com now is not type of inspiring means you could not abandoned

exercices lecture ratus cp pdf prof - Feb 11 2023

web ratus et ses amis mthode de lecture syllabique per la mthode de lecture cp cahier de vacances maternelle lecture cp et exercice maternelle petite section ads ratus ma c thode de lecture livre du maa tre exercices lecture ratus cp cours exercices examens contrôles document pdf doc ppt

ratus et ses amis cp cahier de lecture amazon com - Aug 05 2022

web oct 17 1995 ce cahier ratus consacré à l entraînement à la lecture comprend 350 exercices de perception visuelle et auditive de compréhension avec de nombreux textes accompagnés de questions un livret séparé de 8 contôles détachables pour suivre les progrès et déceler très tôt les difficultés

ratus et ses amis cp manuel de l élève j et j guion amazon fr livres - Nov 08 2022

web le manuel de lecture met à disposition tous les éléments nécessaires au travail de base de la classe collectif ou semi collectif des textes et des illustrations pour les activités de compréhension des phrases des mots et des syllabes pour la

découverte et la maîtrise de la combinatoire des révisions régulières

livre ratus et ses amis exercices seminary fbny - Jun 03 2022

web méthode de lecture syllabique ratus et ses amis ratus à la ferme ratus et ses amis come back to me ratus découvre les livres super mamie et le dragon ratus joue aux devinettes ratus et ses amis cp cahier de lecture per la scuola elementare ratus fait du surf la vieillesse et la mort dans la littérature enfantine de 1880 a nos jours le

pdf ratus ses amis exercices rims - Jul 16 2023

web pdf pdf ratus ses amis exercices rims 7 jan 2021 les livres le cahier de lecture ratus dcouvre les livres la bote de ratus 432 fiches 750 exercices de lecture et de communication et du cp au cm2 gallery of ratus

livre ratus et ses amis exercices pdfsdocuments com copy - Jul 04 2022

web aug 2 2023 is livre ratus et ses amis exercices pdfsdocuments com below companion to literary myths heroes and archetypes pierre brunel 2015 07 30 first published in french in 1988 and in english in 1992 this companion explores the nature of the literary myth in a collection of over 100 essays from abraham to zoroaster

livre ratus et ses amis exercices pdf download only - Jan 30 2022

web jun 7 2023 we have the funds for livre ratus et ses amis exercices pdf and numerous books collections from fictions to scientific research in any way among them is this livre ratus et ses amis exercices pdf that can be your partner livre ratus et ses amis exercices pdf dan brown web may 9 2023 livre ratus et ses amis exercices pdf

exercices cp ratus pdf prof - Jan 10 2023

web lecture 13 ratus p 29 les syllabes et les mots exercices 1 et 3 p 28 ardoise cahier d essais déroulement de la séquence marou est un chat il est avec mina elle rit marou a de la farine sur la figure le café est pour belo texte 8 ratus sucre la salade ratus est resté au soleil il

exercices ratus et ses amis notices utilisateur - Oct 07 2022

web evaluations et exercices sur ratus et ses amis classe de cp exercices typiquement notices utilisateur vous permet trouver les notices manuels d utilisation et les livres en formatpdf notre base de données contient 3 millions fichiers pdf dans différentes langues qui décrivent tous les types de sujets et thèmes

livre ratus et ses amis exercices pdfsdocuments com pdf - Aug 17 2023

web livre ratus et ses amis exercices pdfsdocuments com pdf 2023 1 livre ratus et ses amis exercices pdfsdocuments com pdf this is likewise one of the factors by obtaining the soft documents of this livre ratus et ses amis exercices pdfsdocuments com pdf by online livre ratus et ses amis exercices pdfsdocuments com obsession currently this livre

pdf ratus ses amis exercices rims - Mar 12 2023

web amis cp qui suit l exacte progression de la méthode de lecture ratus et ses amis les exercices qu il contient sont

progressifs et destinés à l'entraînement pdf pdf ratus ses amis exercices rims

livre ratus et ses amis exercices pdf old vulkk - May 02 2022

web méthode de lecture syllabique ratus et ses amis ratus à venise le manuel scolaire super mamie et la machine à rétrécir
méthode de lecture cp ratus découvre les livres les livres disponibles ratus fait du surf ratus à la fête des amoureux la
vieillesse et la mort dans la littérature enfantine de 1880 à nos jours le robot de ratus ratus

livre ratus et ses amis exercices download only oldcove - Apr 13 2023

web les champignons de ratus jean guion 2015 08 26 série les aventures du rat vert premières lectures dès 6 7 ans à lire seul
dès le 2e trimestre du cp ratus ramasse des champignons dans la forêt avec ses amis les chats il veut faire une belle omelette
mais certains champignons sont vénéneux il ne faut surtout pas les manger

livre ratus et ses amis exercices pdfsdocuments com - Feb 28 2022

web jul 7 2023 livre ratus et ses amis exercices pdfsdocuments com is available in our digital library an online access to it is
set as public so you can get it instantly our digital library hosts in multiple countries allowing you to get the most less latency
time to download any of our books like this one

ratus et ses amis cp manuel de l'élève éditions hatier - Dec 09 2022

web apr 27 1994 ratus et ses amis cp manuel de l'élève parution 27 04 1994 collection ratus voir toute la collection isbn 978
2 218 07370 0 code 4848941 l'assurance de susciter l'enthousiasme des enfants qui adorent tous ratus objectifs
pédagogiques de la méthode une méthode d'apprentissage de la lecture qui permet un travail simultané

livre ratus et ses amis exercices pdfsdocuments com pdf - Sep 18 2023

web merely said the livre ratus et ses amis exercices pdfsdocuments com is universally compatible with any devices to read 2
livre ratus et ses amis exercices here pdfsdocuments2 com guion ratus et ses amis cp cahier de lecture 1994 la méthode
ratus et ses amis pour apprendre à lire en s livre ratus et