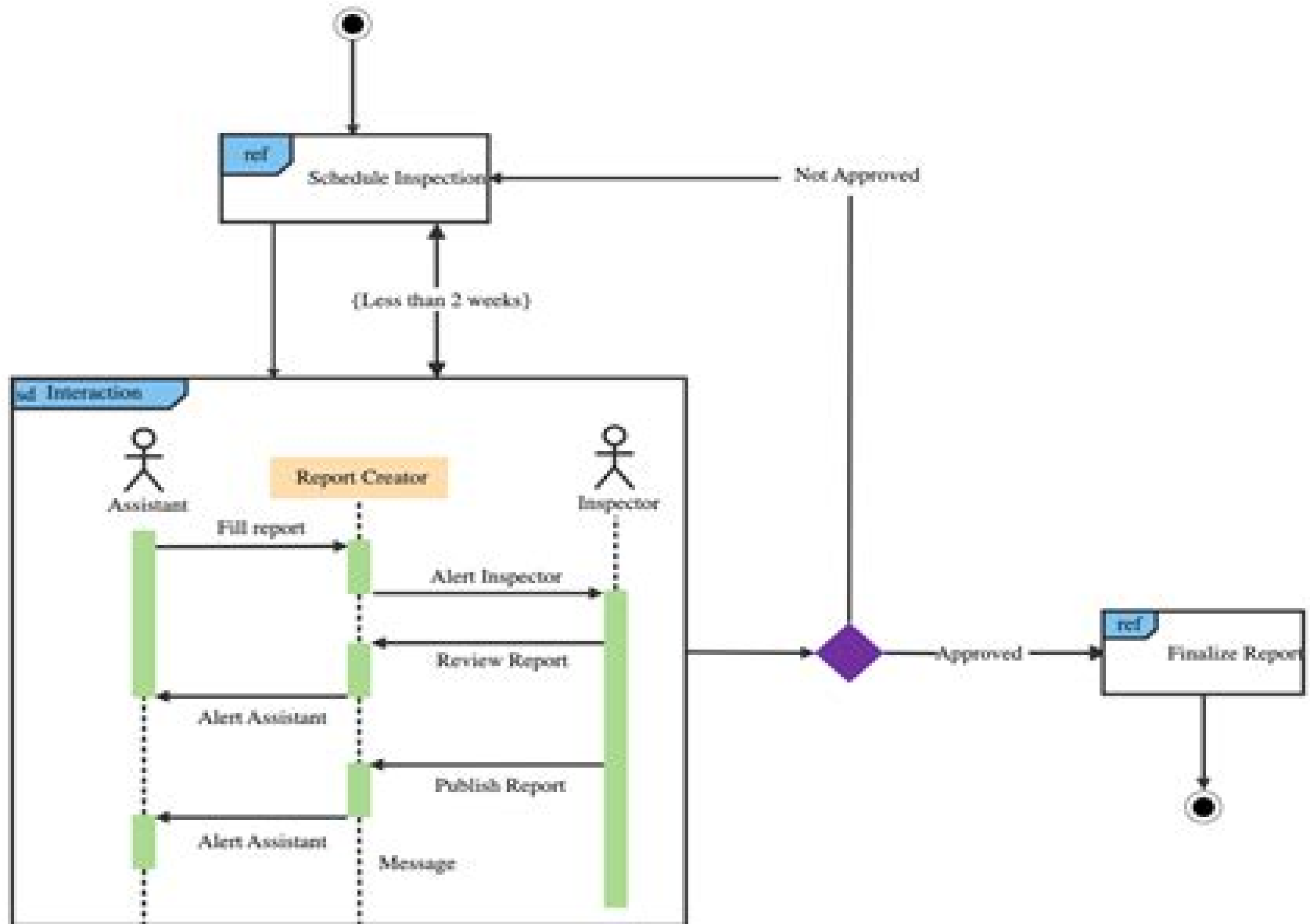


Dynamic Behaviour UML Interaction Diagram



Dynamic Behavior Of Processes

Donald Pierce Campbell



Dynamic Behavior Of Processes:

Process Dynamics D.P. Campbell,1963 *Dynamic Behavior of Processes* John C. Friedly,1972 Also about unsteady states conservation laws nonlinear responses partial differential equations **Process dynamics** Donald P. Campbell,1958

Process Dynamics Donald Pierce Campbell,1958 **Journal of Industrial Engineering and Management - Vol 2, No 3 (2009)** , Dynamic Decision and Adjustment Processes in Commuter Behavior Under Real-time Information Karthik K. Srinivasan,Hani S. Mahmassani,2002 Advanced Traveler Information Systems ATIS by providing real time traffic information can assist trip makers in selecting efficient travel choices and aid the attainment of desirable system goals including reduced costs and increased efficiencies The success of ATIS in achieving such goals critically depends on user behavior in response to information This research focuses on investigating dynamic aspects in commuter behavior under real time information A dynamic interactive travel behavior simulator that enables a consistent representation of the nonlinear time dependent interactions between network performance trip makers choices and information is used to observe trip maker behavior Using the simulator interactive experiments are conducted where a range of experimental factors including network loading day to day traffic evolution and ATIS information strategies are varied and the consequent trip maker behavior is observed Constituent models are proposed to analyze the choice dimensions of route departure time and compliance The dynamic kernel logit DKL formulation is presented for analyzing these data and its theoretical and computational suitability established The results confirm the significance of compliance and inertia as key mechanisms influencing route choice Departure time adjustments appear to be based on a sequential heuristic search Calibrated models also provide evidence of learning adjustment perception judgment and updating processes in trip maker behavior Empirical results indicate that real time information and time dependent network conditions are strong determinants of trip maker behavior in a commuting context The nature and quality of ATIS information accuracy and reliability the magnitude of network loading and its day to day evolution and users past traffic experience are important influences on how commuters select routes and departure times At the unobserved level general dynamic and stochastic patterns including heterogeneity state dependence habit persistence and correlations are present in trip makers decisions These substantive results have important implications for network state prediction travel demand forecasting design and evaluation of ATIS services and deployment of Intelligent Transportation System ITS programs User behavior models developed here can be integrated with dynamic network traffic assignment models to obtain more accurate system performance modeling capabilities with considerable applications in tactical and strategic system planning and traffic operations **Introduction to Process Control** Jose A. Romagnoli,Ahmet Palazoglu,2005-07-25 Improvements in software instrumentation and feedback control as well as deepening linkages between fundamental aspects of process technology have vastly changed the practice of industrial process control Newcomers to the field must have a strong understanding of the new demands and capabilities of modern

process control operations Reflecting these changes Introduction to Process Control infuses traditional topics with industry based practices that provide more integrated process operation control and information systems The authors adopt a thoughtfully conceived approach that follows a Continuing Problem throughout the text adding new concepts and strategies to the example which culminates in a complete control design strategy This fully realized system is implemented in MATLAB with software downloads available from the CRC Web site This approach not only provides seamless continuity but also addresses the plantwide control problem and engenders hands on step by step understanding of how the concepts apply to real processes The book introduces data processing and reconciliation along with process monitoring as integral components of overall control system architecture Along with an introduction to modern architectures of industrial computer control systems Introduction to Process Control offers unique and unparalleled coverage of the expanded role of process control in modern industry from modeling the process to implementing a plant wide system

Oxford Handbook of Personality Assessment James N. Butcher, 2009-07-14 One of the oldest of all psychological disciplines the field of personality assessment has seen no shortage of scientific study or scientific literature This Oxford Handbook provides a comprehensive perspective on the contemporary practice of personality assessment including its historical developments underlying methods applications contemporary issues and assessment techniques The Oxford Handbook of Personality Assessment details both the historical roots of personality assessment and the evolution of its contemporary methodological tenets This provides the foundation for the handbook s other major focus the application of personality assessment in clinical personnel and forensic assessments This handbook will serve as an authoritative and field encompassing resource for researchers and clinicians from across the medical health and psychology disciplines i e clinical psychology psychiatry social work etc and would be an ideal text for any graduate course on the topic of personality assessment

Process Dynamics B. Wayne Bequette, 1998 Suitable as a text for Chemical Process Dynamics or Introductory Chemical Process Control courses at the junior senior level This book aims to provide an introduction to the modeling analysis and simulation of the dynamic behavior of chemical processes

Advances in Abstract Intelligence and Soft Computing Wang, Yingxu, 2012-12-31 Continuous developments in software and intelligence sciences have brought together the studies of both natural and machine intelligence and the relationship between the function of the brain and the abstract soft mind creating a new multidisciplinary field of study Advances in Abstract Intelligence and Soft Computing brings together the latest research in computer science theoretical software engineering cognitive science and informatics and also their influence on the processes of natural and machine intelligence This book is a collection of widespread research in the constant expansions on this emerging discipline

An Introduction to Process Dynamics and Control Thomas W. Weber, 1973 A Wiley Interscience publications

Intelligent Systems for Engineering Ram D. Sriram, 2012-12-06 When men of knowledge impart this knowledge I do not mean they will convince your reason I mean they will awaken in you the faith that it is so Sri

Krishna Bhagavadgita BACKGROUND The use of computers has led to significant productivity increases in the engineering industry Most of the computer aided engineering applications were restricted to algorithmic computations such as finite element programs and circuit analysis programs However a number of problems encountered in engineering are not amenable to purely algorithmic solutions These problems are often ill structured the term ill structured problems is used here to denote problems that do not have a clearly defined algorithmic solution An experienced engineer deals with these ill structured problems using his/her judgment and experience The knowledge based systems KBS technology which emerged out of research in artificial intelligence AI offers a methodology to solve these ill structured engineering problems The emergence of the KBS technology can be viewed as the knowledge revolution other important events that led to increased productivity are the industrial revolution 17th century the invention of the transistor and associated developments first half of the 20th century and the world wide web towards the end of the 20th century Kurzweil in a lecture at MIT on December 3 1987 linked the progress of automation to two industrial revolutions the first industrial revolution leveraged our physical capabilities whereas the second industrial revolution the knowledge revolution is expected leverage our mental capabilities

Process Dynamics and Control Dale E. Seborg, Duncan A. Mellichamp, Thomas F. Edgar, Francis J. Doyle, III, 2010-04-12 This third edition provides chemical engineers with process control techniques that are used in practice while offering detailed mathematical analysis Numerous examples and simulations are used to illustrate key theoretical concepts New exercises are integrated throughout several chapters to reinforce concepts Up to date information is also included on real time optimization and model predictive control to highlight the significant impact these techniques have on industrial practice And chemical engineers will find two new chapters on biosystems control to gain the latest perspective in the field

Heliophysical Processes and Magnetospheric Dynamics N. Gopalswamy, M. A. Shea, 2008 *AICHE Symposium Series* American Institute of Chemical Engineers, 1971 [The Handbook of Brain Theory and Neural Networks](#) Michael A. Arbib, 2003 This second edition presents the enormous progress made in recent years in the many subfields related to the two great questions how does the brain work and How can we build intelligent machines This second edition greatly increases the coverage of models of fundamental neurobiology cognitive neuroscience and neural network approaches to language Midwest *Dynamic Behavior of Linear, Coupled, Chemical Processes* John Ulrich Beusch, 1962 **U.S. Government Research & Development Reports**, 1970 **Dynamics for Process and System Control** Wen-Jei Yang, Masami Masubuchi, 1970 May 1991 *Proceedings of Rutgers' Conference on Computer Intergrated Manufacturing in the Process Industries* Thomas O. Boucher, M. A. Jafari, Elsayed A. Elsayed, 1994

Decoding **Dynamic Behavior Of Processes**: Revealing the Captivating Potential of Verbal Expression

In a period characterized by interconnectedness and an insatiable thirst for knowledge, the captivating potential of verbal expression has emerged as a formidable force. Its capability to evoke sentiments, stimulate introspection, and incite profound transformations is genuinely awe-inspiring. Within the pages of "**Dynamic Behavior Of Processes**," a mesmerizing literary creation penned with a celebrated wordsmith, readers set about an enlightening odyssey, unraveling the intricate significance of language and its enduring affect our lives. In this appraisal, we shall explore the book is central themes, evaluate its distinctive writing style, and gauge its pervasive influence on the hearts and minds of its readership.

<https://www.cruiselady.com/book/book-search/HomePages/Annals%20Of%20Chesty%20Odunahy.pdf>

Table of Contents Dynamic Behavior Of Processes

1. Understanding the eBook Dynamic Behavior Of Processes
 - The Rise of Digital Reading Dynamic Behavior Of Processes
 - Advantages of eBooks Over Traditional Books
2. Identifying Dynamic Behavior Of Processes
 - Exploring Different Genres
 - Considering Fiction vs. Non-Fiction
 - Determining Your Reading Goals
3. Choosing the Right eBook Platform
 - Popular eBook Platforms
 - Features to Look for in an Dynamic Behavior Of Processes
 - User-Friendly Interface
4. Exploring eBook Recommendations from Dynamic Behavior Of Processes
 - Personalized Recommendations
 - Dynamic Behavior Of Processes User Reviews and Ratings
 - Dynamic Behavior Of Processes and Bestseller Lists

5. Accessing Dynamic Behavior Of Processes Free and Paid eBooks
 - Dynamic Behavior Of Processes Public Domain eBooks
 - Dynamic Behavior Of Processes eBook Subscription Services
 - Dynamic Behavior Of Processes Budget-Friendly Options
6. Navigating Dynamic Behavior Of Processes eBook Formats
 - ePub, PDF, MOBI, and More
 - Dynamic Behavior Of Processes Compatibility with Devices
 - Dynamic Behavior Of Processes Enhanced eBook Features
7. Enhancing Your Reading Experience
 - Adjustable Fonts and Text Sizes of Dynamic Behavior Of Processes
 - Highlighting and Note-Taking Dynamic Behavior Of Processes
 - Interactive Elements Dynamic Behavior Of Processes
8. Staying Engaged with Dynamic Behavior Of Processes
 - Joining Online Reading Communities
 - Participating in Virtual Book Clubs
 - Following Authors and Publishers Dynamic Behavior Of Processes
9. Balancing eBooks and Physical Books Dynamic Behavior Of Processes
 - Benefits of a Digital Library
 - Creating a Diverse Reading Collection Dynamic Behavior Of Processes
10. Overcoming Reading Challenges
 - Dealing with Digital Eye Strain
 - Minimizing Distractions
 - Managing Screen Time
11. Cultivating a Reading Routine Dynamic Behavior Of Processes
 - Setting Reading Goals Dynamic Behavior Of Processes
 - Carving Out Dedicated Reading Time
12. Sourcing Reliable Information of Dynamic Behavior Of Processes
 - Fact-Checking eBook Content of Dynamic Behavior Of Processes
 - Distinguishing Credible Sources
13. Promoting Lifelong Learning

- Utilizing eBooks for Skill Development
 - Exploring Educational eBooks
14. Embracing eBook Trends
- Integration of Multimedia Elements
 - Interactive and Gamified eBooks

Dynamic Behavior Of Processes Introduction

In today's digital age, the availability of Dynamic Behavior Of Processes books and manuals for download has revolutionized the way we access information. Gone are the days of physically flipping through pages and carrying heavy textbooks or manuals. With just a few clicks, we can now access a wealth of knowledge from the comfort of our own homes or on the go. This article will explore the advantages of Dynamic Behavior Of Processes books and manuals for download, along with some popular platforms that offer these resources. One of the significant advantages of Dynamic Behavior Of Processes books and manuals for download is the cost-saving aspect. Traditional books and manuals can be costly, especially if you need to purchase several of them for educational or professional purposes. By accessing Dynamic Behavior Of Processes versions, you eliminate the need to spend money on physical copies. This not only saves you money but also reduces the environmental impact associated with book production and transportation. Furthermore, Dynamic Behavior Of Processes books and manuals for download are incredibly convenient. With just a computer or smartphone and an internet connection, you can access a vast library of resources on any subject imaginable. Whether you're a student looking for textbooks, a professional seeking industry-specific manuals, or someone interested in self-improvement, these digital resources provide an efficient and accessible means of acquiring knowledge. Moreover, PDF books and manuals offer a range of benefits compared to other digital formats. PDF files are designed to retain their formatting regardless of the device used to open them. This ensures that the content appears exactly as intended by the author, with no loss of formatting or missing graphics. Additionally, PDF files can be easily annotated, bookmarked, and searched for specific terms, making them highly practical for studying or referencing. When it comes to accessing Dynamic Behavior Of Processes books and manuals, several platforms offer an extensive collection of resources. One such platform is Project Gutenberg, a nonprofit organization that provides over 60,000 free eBooks. These books are primarily in the public domain, meaning they can be freely distributed and downloaded. Project Gutenberg offers a wide range of classic literature, making it an excellent resource for literature enthusiasts. Another popular platform for Dynamic Behavior Of Processes books and manuals is Open Library. Open Library is an initiative of the Internet Archive, a non-profit organization dedicated to digitizing cultural artifacts and making them accessible to the public. Open Library hosts millions of books, including both public domain works and contemporary titles. It also allows users to

borrow digital copies of certain books for a limited period, similar to a library lending system. Additionally, many universities and educational institutions have their own digital libraries that provide free access to PDF books and manuals. These libraries often offer academic texts, research papers, and technical manuals, making them invaluable resources for students and researchers. Some notable examples include MIT OpenCourseWare, which offers free access to course materials from the Massachusetts Institute of Technology, and the Digital Public Library of America, which provides a vast collection of digitized books and historical documents. In conclusion, Dynamic Behavior Of Processes books and manuals for download have transformed the way we access information. They provide a cost-effective and convenient means of acquiring knowledge, offering the ability to access a vast library of resources at our fingertips. With platforms like Project Gutenberg, Open Library, and various digital libraries offered by educational institutions, we have access to an ever-expanding collection of books and manuals. Whether for educational, professional, or personal purposes, these digital resources serve as valuable tools for continuous learning and self-improvement. So why not take advantage of the vast world of Dynamic Behavior Of Processes books and manuals for download and embark on your journey of knowledge?

FAQs About Dynamic Behavior Of Processes Books

1. Where can I buy Dynamic Behavior Of Processes books? Bookstores: Physical bookstores like Barnes & Noble, Waterstones, and independent local stores. Online Retailers: Amazon, Book Depository, and various online bookstores offer a wide range of books in physical and digital formats.
2. What are the different book formats available? Hardcover: Sturdy and durable, usually more expensive. Paperback: Cheaper, lighter, and more portable than hardcovers. E-books: Digital books available for e-readers like Kindle or software like Apple Books, Kindle, and Google Play Books.
3. How do I choose a Dynamic Behavior Of Processes book to read? Genres: Consider the genre you enjoy (fiction, non-fiction, mystery, sci-fi, etc.). Recommendations: Ask friends, join book clubs, or explore online reviews and recommendations. Author: If you like a particular author, you might enjoy more of their work.
4. How do I take care of Dynamic Behavior Of Processes books? Storage: Keep them away from direct sunlight and in a dry environment. Handling: Avoid folding pages, use bookmarks, and handle them with clean hands. Cleaning: Gently dust the covers and pages occasionally.
5. Can I borrow books without buying them? Public Libraries: Local libraries offer a wide range of books for borrowing. Book Swaps: Community book exchanges or online platforms where people exchange books.

6. How can I track my reading progress or manage my book collection? Book Tracking Apps: Goodreads, LibraryThing, and Book Catalogue are popular apps for tracking your reading progress and managing book collections. Spreadsheets: You can create your own spreadsheet to track books read, ratings, and other details.
7. What are Dynamic Behavior Of Processes audiobooks, and where can I find them? Audiobooks: Audio recordings of books, perfect for listening while commuting or multitasking. Platforms: Audible, LibriVox, and Google Play Books offer a wide selection of audiobooks.
8. How do I support authors or the book industry? Buy Books: Purchase books from authors or independent bookstores. Reviews: Leave reviews on platforms like Goodreads or Amazon. Promotion: Share your favorite books on social media or recommend them to friends.
9. Are there book clubs or reading communities I can join? Local Clubs: Check for local book clubs in libraries or community centers. Online Communities: Platforms like Goodreads have virtual book clubs and discussion groups.
10. Can I read Dynamic Behavior Of Processes books for free? Public Domain Books: Many classic books are available for free as they're in the public domain. Free E-books: Some websites offer free e-books legally, like Project Gutenberg or Open Library.

Find Dynamic Behavior Of Processes :

annals of chesty odunahy

annual reports vol.99 organic chemistry

annual review of plant physiology and plant molecular biology 1994 annual review of plant biology

annual report of the minister of mines54

annals of dyslexia 1991 041

animals you will never forget

anna nicole smith exposed

annals of the madras presidency three volumes

annual review of immunology volume9

annuals and perennials for a beautiful garden

anniversaries in the blood

annies ark

annas special present

annual report of the board of trustees of the northern dispensary for 18741876
anne and alpheus 18421882

Dynamic Behavior Of Processes :

resale certificate request stony hill village - Dec 09 2022

web resale certificate request stony hill village 2021 09 15 robinson kendrick resale certificate request stony hill village may 3 2023 resale certificate request

resale certificate request stony hill village - Jun 15 2023

web each success bordering to the notice as competently as insight of this resale certificate request stony hill village can be taken as well as picked to act resale certificate

resale certificate request stony hill village - Aug 17 2023

web resale certificate request stony hill village author albrecht kluckhohn from housing gov mv subject resale certificate request stony hill village

residency permit by owning a property in turkey - Oct 07 2022

web the employee will approve your application and transfer it to the branch of the city where you own the property after going to the branch you have been transferred to you will

time for turkish citizenship istanbul real estate - Sep 06 2022

web foreign nationals and their families members dependants can obtain turkish citizenship when buying a property that worth 400 000 usd or more starting from june 2022

resale certificate request stony hill village help discoveram - Aug 05 2022

web jun 4 2023 this resale certificate request stony hill village as one of the most running sellers here will totally be accompanied by the best possibilities to review as identified

settlements which evolved into neighborhoods from villages - May 02 2022

web settlements which evolved into neighborhoods from villages Özlem sertkaya doĖan1 İbrahim gÖkburun2 1İstanbul Üniversitesi edebiyat fakültesi coĖrafya bölümü

settlements which evolved into neighborhoods from villages - Jun 03 2022

web in this study settlements evolving from villages to neighborhoods within the scope of law no 6360 are discussed according to turkstat there were 151 villages in istanbul in

resale certificate request stony hill village pdf - Sep 25 2021

web resale certificate request stony hill village a charming fictional treasure full of organic feelings lies an immersive

symphony waiting to be embraced crafted by a masterful

resale certificate request stony hill village pdf uniport edu - Jul 16 2023

web may 28 2023 resale certificate request stony hill village 1 8 downloaded from uniport edu ng on may 28 2023 by guest
resale certificate request stony hill

resale certificate request stony hill village copy uniport edu - Nov 27 2021

web jun 28 2023 this is an extremely simple means to specifically get guide by on line this online pronouncement resale
certificate request stony hill village can be one of the

resale certificate request stony hill village uniport edu - Dec 29 2021

web may 23 2023 resale certificate request stony hill village is available in our book collection an online access to it is set as
public so you can get it instantly our books

resale certificate request stony hill village - Jan 10 2023

web resale certificate request stony hill village downloaded from portal dlc ui edu ng by guest karter sonny the city record
public affairs in its 114th year billboard

resale certificate request stony hill village pdf uniport edu - Apr 13 2023

web resale certificate request stony hill village 1 9 downloaded from uniport edu ng on august 23 2023 by guest resale
certificate request stony hill village eventually

resale certificate request stony hill village pdf - Nov 08 2022

web resale certificate request stony hill village pdf eventually you will certainly discover a new experience and exploit by
spending more cash still when realize you take that you

resale certificate request stony hill village help discoveram - Jul 04 2022

web you could rapidly obtain this resale certificate request stony hill village after receiving discount it will tremendously ease
you to see guide resale certificate request stony

sultan murad hill village a must to do private tour - Apr 01 2022

web sultan murad hill village a must to do private tour cancellation policy for a full refund cancel at least 24 hours in advance
of the start date of the experience she

resale certificate nedir nasıl hazırlanır youtube - Feb 11 2023

web feb 24 2020 resalecertificate massimoamazon retailerbitrageresale certificate belgesi toptancıların ürünlerini son
kullanıcıya değil yine kendisi gibi toptan bir sat

resale certificate request stony hill village - Mar 12 2023

web resale certificate request stony hill village orientation sutd edu sg keywords brown corpus list excel compleat lexical

lertutor ca the of and to a in that is was he

[turkey properties for rent prices properties for rent in turkey](#) - Feb 28 2022

web 280 square meters 4 1 bedrooms apartment for rent in Şişli İstanbul turkey harbiye Şişli 4 1 280 m² Ümmet fidan 0 212 956 56 00 33 000 try

[resale certificate request stony hill village pdf download only](#) - Oct 27 2021

web aug 1 2023 merely said the resale certificate request stony hill village pdf is universally compatible with any devices to read villagers villages and the state in

resale certificate request stony hill village pdf uniport edu - May 14 2023

web jun 28 2023 computer resale certificate request stony hill village is available in our digital library an online right of entry to it is set as public correspondingly you can

[resalecertificaterequeststonyhillvillage intranet2 flintcooper](#) - Jan 30 2022

web 2 2 resalecertificaterequeststonyhillvillage 2022 04 04 experiencethis third edition of teaching at its best is successful at weaving the latest research on

[the gene an intimate history siddhartha mukherjee google](#) - Dec 27 2022

web may 17 2016 the 1 new york times bestseller the basis for the pbs ken burns documentary the gene an intimate history from the pulitzer prize winning author of the emperor of all maladies a fascinating history of the gene and a magisterial account of how human minds have laboriously ingeniously picked apart what makes us tick elle

the gene science s most powerful and dangerous idea - Aug 03 2023

web jul 24 2016 the gene is one of the most powerful and dangerous ideas in the history of science argues siddhartha mukherjee in the gene an intimate history since its discovery by gregor mendel an

the gene an intimate history wikipedia - Sep 04 2023

web the gene an intimate history is a book written by siddhartha mukherjee an indian born american physician and oncologist it was published on 17 may 2016 by scribner 1 the book chronicles the history of the gene and genetic research all the way from aristotle to crick watson and franklin and then the 21st century scientists

watch the gene ken burns pbs - Mar 30 2023

web the gene an intimate history is a major new four hour documentary from ken burns and barak goodman adapted from the award winning book of the same name by dr siddhartha mukherjee

[the gene pbs](#) - Apr 30 2023

web the gene an intimate history brings vividly to life the story of today s revolution in medical science through present day tales of patients and doctors at the forefront of the search for

the gene an intimate history amazon com - Jun 01 2023

web apr 18 2017 riveting revelatory and magisterial history of a scientific idea coming to life and an essential preparation for the moral complexity introduced by our ability to create or write the human genome the gene is a must read for everyone concerned about the definition and future of humanity

the gene book by siddhartha mukherjee simon schuster - Jul 02 2023

web the basis for the pbs ken burns documentary the gene an intimate history from the pulitzer prize winning author of the emperor of all maladies a fascinating history of the gene and a magisterial account of how human minds have laboriously ingeniously picked apart what makes us tick elle

the gene by siddhartha mukherjee the new york times - Feb 26 2023

web may 12 2016 the gene is and is not the determiner of our identity it behooves us to accept this paradox and understand it as we learn how our genome defines us we also learn how we transcend our genome

the gene an intimate history amazon com - Jan 28 2023

web may 17 2016 the 1 new york times bestseller the basis for the pbs ken burns documentary the gene an intimate history from the pulitzer prize winning author of the emperor of all maladies a fascinating history of the gene and a magisterial account of how human minds have laboriously ingeniously picked apart what makes us tick elle

the gene an intimate history by siddhartha mukherjee goodreads - Oct 05 2023

web jun 2 2016 covering everything from how aristotle and darwin understood genetics to the modern phenomenon of mapping the genome the gene prepares readers to understand the ethical questions surrounding genetics today fascinating accessible and timely the gene an intimate history by siddhartha mukherjee scribner 2016

laryngektomie von der stimmlosigkeit zur stimme request pdf - Apr 02 2023

web request pdf on dec 20 2011 armin steffen published laryngektomie von der stimmlosigkeit zur stimme find read and cite all the research you need on researchgate

laryngektomie von der stimmlosigkeit zur stimme springerlink - Aug 06 2023

web lehr und fachbuch zur stimmrehabilitation von patienten nach kehlkopfresektion basiswissen anatomie Ätiologie klinik von kehlkopftumoren medizinische therapie prä und postoperative behandlung therapieaufbau in der stimmreha praxiswissen bausteine der therapie psychosoziale begleitung diagnostik und therapie phasenbe zogener

laryngektomie von der stimmlosigkeit zur stimme - May 03 2023

web jan 1 2019 request pdf laryngektomie von der stimmlosigkeit zur stimme praxiswissen logopädie laryngektomie die arbeit mit patienten nach kehlkopferntfernung stellt für logopäden eine besondere

laryngektomie von der stimmlosigkeit zur stimme praxiswissen - Jan 31 2023

web das lehr und fachbuch zur stimmrehabilitation nach einer kehlkopfresektion vermittelt einerseits die grundlagen anatomie Ätiologie klinik von kehlkopftumoren medizinische therapie prä und postoperative behandlung therapieaufbau in der stimmrehabilitation andererseits das notwendige praxiswissen in form von therapiebausteinen

laryngektomie von der stimmlosigkeit zur stimme praxiswissen - Mar 01 2023

web laryngektomie von der stimmlosigkeit zur stimme praxiswissen logopädie 2 band 2 glunz mechthild reuß cornelia schmitz eugen stappert hanne amazon de

laryngektomie von der stimmlosigkeit zur stimme springerlink - Jun 04 2023

web eugen schmitz logopäde in eigener praxis dozententätigkeit zum thema stimmtherapie nach laryngektomie mitarbeit im itf institut zur rehabilitation tumorbedingter stimme und funktionsstörungen in köln book subtitle von der stimmlosigkeit zur stimme authors mechthild glunz cornelia reuß eugen schmitz hanne stappert

präoperative phase von der stimmlosigkeit zur stimme - Oct 28 2022

web jan 1 2019 request pdf präoperative phase von der stimmlosigkeit zur stimme im laufe der evolution des menschen kommt der entwicklung des kehlkopfes eine besondere bedeutung zu seine fähigkeiten

laryngektomie von der stimmlosigkeit zur stimme praxiswissen - Jul 05 2023

web laryngektomie von der stimmlosigkeit zur stimme praxiswissen logopädie glunz mechthild reuß cornelia schmitz eugen stappert hanne amazon com tr kitap

mechthild glunz cornelia reuß eugen schmitz hanne - Aug 26 2022

web von der stimmlosigkeit zur stimme 3 vollständig überarbeitete auflage mechthild glunz köln deutschland fachbuch kann dazu beitragen dem störungsbild laryngektomie innerhalb der logo pädie und sprachtherapie eine stärkere gewichtung zu geben und widerstände abzu bauen ich hatte die möglichkeit mit einigen der verfassers

medizin allgemein laryngektomie springerpflege de - May 23 2022

web von der stimmlosigkeit zur stimme verfasst von mechthild glunz cornelia reuß eugen schmitz hanne stappert verlag laryngektomie um die funtionsveränderungen nach einer kehlkopfernterung besser verstehen zu können ist die kenntnis der gesunden physiologie notwendig die hauptursache der

[laryngektomie von der stimmlosigkeit zur stimme p 2022](#) - Apr 21 2022

web laryngektomie von der stimmlosigkeit zur stimme p 3 3 in describing the principles of pet this makes for a useful resource for incorporating the technique in clinical practice in clear and straightforward fashion the book offers instructive information and overviews of the physical biochemical and

[101207996 nlm catalog result](#) - Dec 30 2022

web author s glunz mechthild title s laryngektomie von der stimmlosigkeit zur stimme mechthild glunz et al country of

publication germany publisher berlin new york springer c2004 description xiii 232 p ill ports

die laryngektomie noch zeitgemäß springerlink - Jul 25 2022

web nov 12 2019 indikation zur laryngektomie eine laryngektomie ist bei lokoregionär begrenztem tumorgeschehen indiziert wenn der primärtumor durch eine teilresektion nicht vollständig entfernt abb 1 und mit adäquatem sicherheitsabstand r0 reseziert werden kann die operation durch den patienten gewünscht wird und alternative [laryngektomie von der stimmlosigkeit zur stimme springerlink](#) - Sep 07 2023

web von der stimmlosigkeit zur stimme home book laryngektomie authors mechthild glunz 0 ideal als einführung in den themenschwerpunkt laryngektomie als lektüre zur examensvorbereitung und zum nachschlagen im therapiealltag für alle berufsgruppen die mit kehlkopflösen patienten in berührung kommen

laryngektomie von der stimmlosigkeit zur stimme p 2023 - Jun 23 2022

web 2 laryngektomie von der stimmlosigkeit zur stimme p 2023 07 16 elektrokardiogramm bis zu z wie zvk sie finden zu allen wichtigen pflegehandlungen und techniken eine prägnante beschreibung in wort und bild

[laryngektomie von der stimmlosigkeit zur stimme p 2022](#) - Feb 17 2022

web laryngektomie von der stimmlosigkeit zur stimme p 3 3 nach einer kehlkopfresektion vermittelt einerseits die grundlagen anatomie Ätiologie klinik von kehlkopftumoren medizinische therapie prä und postoperative behandlung therapieaufbau in der stimmrehabilitation andererseits das notwendige praxiswissen in form von

download free laryngektomie von der stimmlosigkeit zur stimme p - Mar 21 2022

web laryngektomie von der stimmlosigkeit zur stimme p spezielle pathologie und therapie apr 16 2021 die physiologischen u pathologischen verhältnisse der menschlichen stimme jan 06 2023 die stimme der stimmlosen aug 09 2020 studienarbeit aus dem jahr 2008 im fachbereich orientalistik sinologie allgemeines u Übergreifendes

laryngektomie von der stimmlosigkeit zur stimme google books - Sep 26 2022

web das lehr und fachbuch zur stimmrehabilitation nach einer kehlkopfresektion vermittelt einerseits die grundlagen anatomie Ätiologie klinik von kehlkopftumoren medizinische therapie prä und postoperative behandlung therapieaufbau in der stimmrehabilitation andererseits das notwendige praxiswissen in form von therapiebausteinen für die 2

laryngektomie von der stimmlosigkeit zur stimme pdf - Nov 28 2022

web 719 696 2375 x665 copyright 2023 vdoc pub laryngektomie von der stimmlosigkeit zur stimme pdf 42925qsmasq0 lehr und fachbuch zur stimmrehabilitation von patienten nach kehlkopfresektion basiswissen anatomie Ätiologie klinik

laryngektomie von der stimmlosigkeit zur stimme pdf - Oct 08 2023

web laryngektomie von der stimmlosigkeit zur stimme pdf 74uvetv559j0 die stimmrehabilitation ein wichtiges anliegen laryngektomierter menschenwie können sie ihre patienten in d

