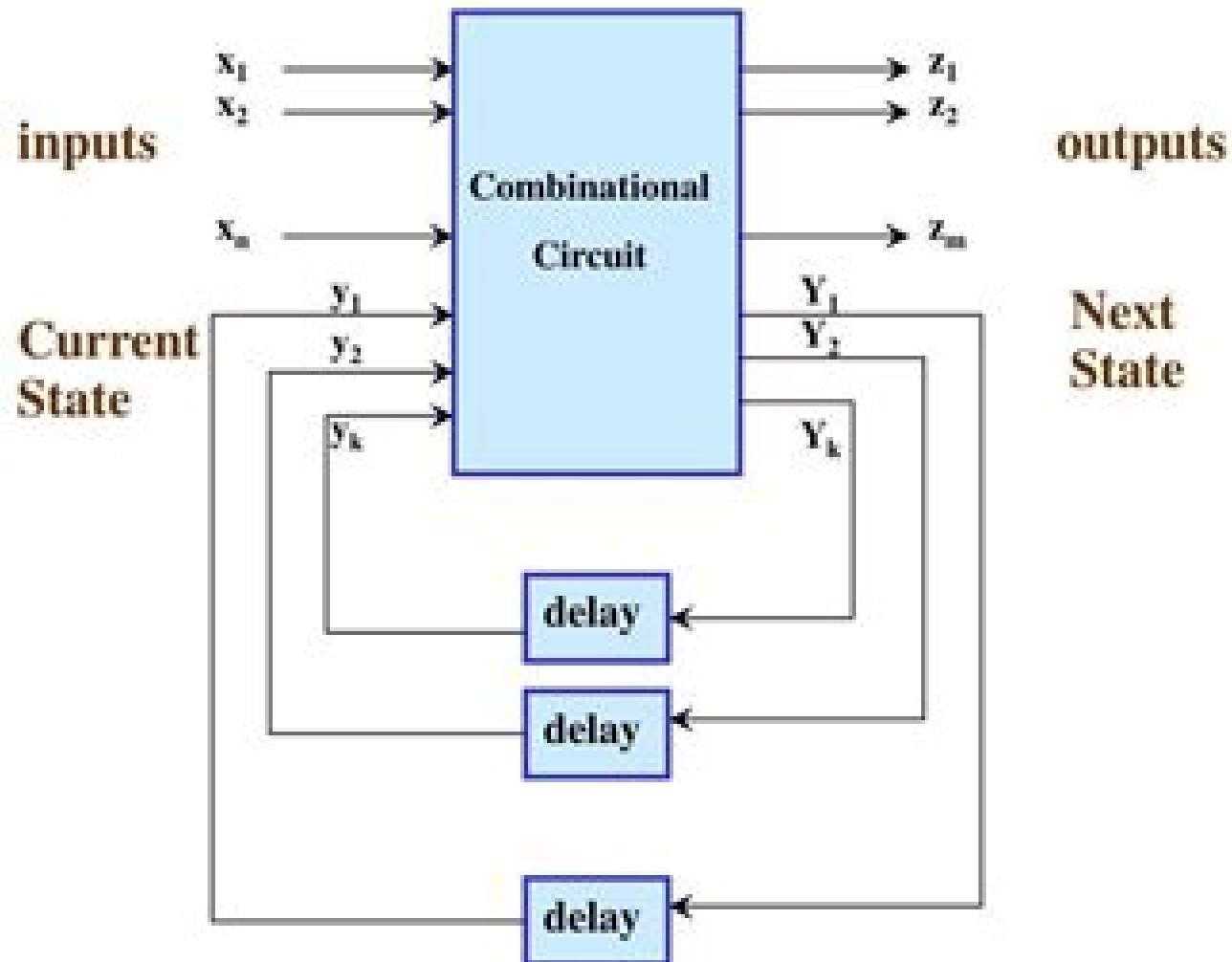


Asynch. Sequential Circuit



Asynchronous Circuits

Brian Holdsworth, Clive Woods



Asynchronous Circuits:

Asynchronous Digital Circuit Design Graham Birtwistle, Alan Davis, 2013-04-17 As the costs of power and timing become increasingly difficult to manage in traditional synchronous systems designers are being forced to look at asynchronous alternatives Based on reworked and expanded papers from the VII Banff Higher Order Workshop this volume examines asynchronous methods which have been used in large circuit design ranging from initial formal specification to more standard finite state machine based control models Written by leading practitioners in the area the papers cover many aspects of current practice including practical design silicon compilation and applications of formal specification It also includes a state of the art survey of asynchronous hardware design The resulting volume will be invaluable to anyone interested in designing correct asynchronous circuits which exhibit high performance or low power operation

Asynchronous Circuit Design Chris J. Myers, 2001-07-23 With asynchronous circuit design becoming a powerful tool in the development of new digital systems circuit designers are expected to have asynchronous design skills and be able to leverage them to reduce power consumption and increase system speed This book walks readers through all of the different methodologies of asynchronous circuit design emphasizing practical techniques and real world applications instead of theoretical simulation The only guide of its kind it also features an ftp site complete with support materials Market Electrical Engineers Computer Scientists Device Designers and Developers in industry

Principles of Asynchronous Circuit Design Jens Sparsø, Stephen Bo Furber, 2001-12-31 Principles of Asynchronous Circuit Design A Systems Perspective addresses the need for an introductory text on asynchronous circuit design Part I is an 8 chapter tutorial which addresses the most important issues for the beginner including how to think about asynchronous systems Part II is a 4 chapter introduction to Balsa a freely available synthesis system for asynchronous circuits which will enable the reader to get hands on experience of designing high level asynchronous systems Part III offers a number of examples of state of the art asynchronous systems to illustrate what can be built using asynchronous techniques The examples range from a complete commercial smart card chip to complex microprocessors The objective in writing this book has been to enable industrial designers with a background in conventional clocked design to be able to understand asynchronous design sufficiently to assess what it has to offer and whether it might be advantageous in their next design task

Asynchronous Circuit Design Chris J. Myers, 2004-04-05 With asynchronous circuit design becoming a powerful tool in the development of new digital systems circuit designers are expected to have asynchronous design skills and be able to leverage them to reduce power consumption and increase system speed This book walks readers through all of the different methodologies of asynchronous circuit design emphasizing practical techniques and real world applications instead of theoretical simulation The only guide of its kind it also features an ftp site complete with support materials Market Electrical Engineers Computer Scientists Device Designers and Developers in industry An Instructor Support FTP site is available from the Wiley editorial department

Asynchronous Circuits Janusz

A. Brzozowski, Carl-Johan H. Seger, 1995-02-24 In recent years there has been a great surge of interest in asynchronous circuits largely through the development of new asynchronous design methodologies This book provides a comprehensive theory of asynchronous circuits including modelling analysis simulation specification verification and an introduction to their design

Completion Detection in Asynchronous Circuits Pallavi Srivastava, 2022-11-08 This book is intended for designers with experience in traditional clocked circuit design seeking information about asynchronous circuit design in order to determine if it would be advantageous to adopt asynchronous methodologies in their next design project The author introduces a generic approach for implementing a deterministic completion detection scheme for asynchronous bundled data circuits that incorporates a data dependent computational process taking advantage of the average case delay The author validates the architecture using a barrel shifter as shifting is the basic operation required by all the processors The generic architecture proposed in this book for a deterministic completion detection scheme for bundled data circuits will facilitate researchers in considering the asynchronous design style for developing digital circuits

[Asynchronous Circuit Applications](#) Jia Di, Scott C. Smith, 2019-11-07 Unlike conventional synchronous circuits asynchronous circuits are not coordinated by a clocking signal but instead use handshaking protocols to control circuit behaviour Asynchronous circuits have been found to offer several advantages including high energy efficiency flexible timing requirements high modularity low noise EMI and robustness to PVT variations At the same time growing pressures on the electronics industry for ever smaller more efficient ICs are pushing the limits of conventional circuit technologies These factors are spurring growing interest in asynchronous circuits amongst both the academic research and commercial R D communities

Digital Logic Design Brian Holdsworth, Clive Woods, 2002-11-01 New updated and expanded topics in the fourth edition include EBCDIC Grey code practical applications of flip flops linear and shaft encoders memory elements and FPGAs The section on fault finding has been expanded A new chapter is dedicated to the interface between digital components and analog voltages A highly accessible comprehensive and fully up to date digital systems text A well known and respected text now revamped for current courses Part of the Newnes suite of texts for HND 1st year modules

[Asynchronous Circuit Design for VLSI Signal Processing](#) Teresa H. Meng, Sharad Malik, 2011-06-27 Asynchronous Circuit Design for VLSI Signal Processing is a collection of research papers on recent advances in the area of specification design and analysis of asynchronous circuits and systems This interest in designing digital computing systems without a global clock is prompted by the ever growing difficulty in adopting global synchronization as the only efficient means to system timing Asynchronous circuits and systems have long held interest for circuit designers and researchers alike because of the inherent challenge involved in designing these circuits as well as developing design techniques for them The frontier research in this area can be traced back to Huffman s publications The Synthesis of Sequential Switching Circuits in 1954 followed by Unger s book Asynchronous Sequential Switching Circuits in 1969 where a theoretical foundation for handling logic hazards was established In the last few years a

growing number of researchers have joined force in unveiling the mystery of designing correct asynchronous circuits and better yet have produced several alternatives in automatic synthesis and verification of such circuits This collection of research papers represents a balanced view of current research efforts in the design synthesis and verification of asynchronous systems Proceedings ... International Symposium on Asynchronous Circuit and Systems ,2005

Integrated Circuit and System Design. Power and Timing Modeling, Optimization and Simulation Lars Svensson, José Monteiro, 2009-02-13 This book constitutes the thoroughly refereed post conference proceedings of 18th International Workshop on Power and Timing Modeling Optimization and Simulation PATMOS 2008 featuring Integrated Circuit and System Design held in Lisbon Portugal during September 10 12 2008 The 31 revised full papers and 10 revised poster papers presented together with 3 invited talks and 4 papers from a special session on reconfigurable architectures were carefully reviewed and selected from numerous submissions The papers are organized in topical sections on low leakage and subthreshold circuits low power methods and models arithmetic and memories variability and statistical timing synchronization and interconnect power supplies and switching noise low power circuits reconfigurable architectures circuits and methods power and delay modeling as well as power optimizations addressing reconfigurable architectures **Seventh International Symposium on Asynchronous Circuits and Systems : ASYNC 2001** ,2001 Integrated Circuit Design. Power and Timing Modeling, Optimization and Simulation Bertrand Hochet, Antonio J. Acosta, 2002-08-28 This book constitutes the refereed proceedings of the 12th International Workshop on Power and Timing Modeling Optimization and Simulation PATMOS 2002 held in Seville Spain in September 2002 The 37 revised full papers and 12 poster papers presented were carefully reviewed and selected from numerous submissions The papers are organized in topical sections on arithmetics low level modeling and characterization asynchronous and adiabatic techniques CAD tools and algorithms timing gate level modeling and design and communications modeling and activity reduction Second International Symposium on Advanced Research in Asynchronous Circuits and Systems ,1996 *Introduction to Asynchronous Circuit Design* Jens Sparsø, 2020-06-18 This book is an introduction to the design of asynchronous circuits It is an updated and significantly extended version of an eight chapter tutorial that first appeared as Part I in the book Principles of asynchronous circuit design A systems perspective edited by Spars and Furber 2001 a book that has become a standard reference on the topic The extensions include improved coverage of data flow components a new chapter on two phase bundled data circuits a new chapter on metastability arbitration and synchronization and a new chapter on performance analysis using timed Petri nets With these extensions the text now provides a more complete coverage of the topic and it is now made available as a stand alone book The book is a beginner s text and the amount of formal notation is deliberately kept at a minimum using instead plain English and graphical illustrations to explain the underlying intuition and reasoning behind the concepts and methods covered The book targets senior undergraduate and graduate students in Electrical and Computer Engineering and industrial

designers with a background in conventional clocked digital design who wish to gain an understanding of asynchronous circuit design *2nd International Symposium on Advanced Research in Asynchronous Circuits and Systems* Institute of Electrical and Electronics Engineers, Inc. Staff, 1996-03 Papers from the March 1996 symposium detail the latest knowledge in asynchronous hardware design in sections on high speed design logic synthesis architectural synthesis formal methods novel techniques design automation and measurements low power and system design and logic optimization The

Algorithms for Synthesis and Testing of Asynchronous Circuits Luciano Lavagno, Alberto

Sangiovanni-Vincentelli, 1993-06-30 The design of asynchronous circuits is increasingly important in solving problems such as complexity management modularity power consumption and clock distribution in large digital integrated circuits

Asynchronous Operators of Sequential Logic: Venjunction & Sequentation Vadim Vasyukevich, 2011-06-18 This book is dedicated to new mathematical instruments assigned for logical modeling of the memory of digital devices The case in point is logic dynamical operation named venjunction and venjunctive function as well as sequention and sequential function Venjunction and sequention operate within the framework of sequential logic In a form of the corresponding equations they organically fit analytical expressions of Boolean algebra Thus a sort of symbiosis is formed using elements of asynchronous sequential logic on the one hand and combinational logic on the other hand So asynchronous logic is represented in the form of enhanced Boolean logic The book contains initial concepts fundamental definitions statements principles and rules needed for theoretical justification of the mathematical apparatus and its validity for asynchronous logic Asynchronous operators named venjunctor and sequentor are designed for practical implementation These basic elements are assigned for realizing of memory functions in sequential circuits Present research work is the final stage of generalization and systematization of all those ideas and investigations author's interest to which alternately flashed up and faded over many years and for various reasons until formed critical mass and all findings were arranged definitively as a mathematical basis of a theory appropriately associated under a common theme asynchronous sequential logic essentially classified as switching logic which falls into category of algebraic logics Asynchronous Sequential Switching Circuits Stephen H. Unger, 1969 October 2002

IEEE International Symposium on Circuits and Systems IEEE Circuits and Systems Society, 2003 These volumes relate to matters discussed during the 2003 IEEE International Symposium on Circuits and Systems such as analogue circuits and signal processing communications multimedia systems and applications general and nonlinear circuits and systems and neural networks and systems

If you ally compulsion such a referred **Asynchronous Circuits** ebook that will manage to pay for you worth, acquire the certainly best seller from us currently from several preferred authors. If you want to comical books, lots of novels, tale, jokes, and more fictions collections are in addition to launched, from best seller to one of the most current released.

You may not be perplexed to enjoy all book collections Asynchronous Circuits that we will entirely offer. It is not roughly the costs. Its practically what you obsession currently. This Asynchronous Circuits, as one of the most working sellers here will completely be in the course of the best options to review.

<https://www.cruiselady.com/results/book-search/index.jsp/Allan%20Smiths%20Teenage%20Moneymaking%20Guide.pdf>

Table of Contents Asynchronous Circuits

1. Understanding the eBook Asynchronous Circuits
 - The Rise of Digital Reading Asynchronous Circuits
 - Advantages of eBooks Over Traditional Books
2. Identifying Asynchronous Circuits
 - Exploring Different Genres
 - Considering Fiction vs. Non-Fiction
 - Determining Your Reading Goals
3. Choosing the Right eBook Platform
 - Popular eBook Platforms
 - Features to Look for in an Asynchronous Circuits
 - User-Friendly Interface
4. Exploring eBook Recommendations from Asynchronous Circuits
 - Personalized Recommendations
 - Asynchronous Circuits User Reviews and Ratings
 - Asynchronous Circuits and Bestseller Lists
5. Accessing Asynchronous Circuits Free and Paid eBooks

- Asynchronous Circuits Public Domain eBooks
 - Asynchronous Circuits eBook Subscription Services
 - Asynchronous Circuits Budget-Friendly Options
6. Navigating Asynchronous Circuits eBook Formats
 - ePub, PDF, MOBI, and More
 - Asynchronous Circuits Compatibility with Devices
 - Asynchronous Circuits Enhanced eBook Features
 7. Enhancing Your Reading Experience
 - Adjustable Fonts and Text Sizes of Asynchronous Circuits
 - Highlighting and Note-Taking Asynchronous Circuits
 - Interactive Elements Asynchronous Circuits
 8. Staying Engaged with Asynchronous Circuits
 - Joining Online Reading Communities
 - Participating in Virtual Book Clubs
 - Following Authors and Publishers Asynchronous Circuits
 9. Balancing eBooks and Physical Books Asynchronous Circuits
 - Benefits of a Digital Library
 - Creating a Diverse Reading Collection Asynchronous Circuits
 10. Overcoming Reading Challenges
 - Dealing with Digital Eye Strain
 - Minimizing Distractions
 - Managing Screen Time
 11. Cultivating a Reading Routine Asynchronous Circuits
 - Setting Reading Goals Asynchronous Circuits
 - Carving Out Dedicated Reading Time
 12. Sourcing Reliable Information of Asynchronous Circuits
 - Fact-Checking eBook Content of Asynchronous Circuits
 - Distinguishing Credible Sources
 13. Promoting Lifelong Learning
 - Utilizing eBooks for Skill Development

- Exploring Educational eBooks
- 14. Embracing eBook Trends
 - Integration of Multimedia Elements
 - Interactive and Gamified eBooks

Asynchronous Circuits Introduction

In the digital age, access to information has become easier than ever before. The ability to download Asynchronous Circuits has revolutionized the way we consume written content. Whether you are a student looking for course material, an avid reader searching for your next favorite book, or a professional seeking research papers, the option to download Asynchronous Circuits has opened up a world of possibilities. Downloading Asynchronous Circuits provides numerous advantages over physical copies of books and documents. Firstly, it is incredibly convenient. Gone are the days of carrying around heavy textbooks or bulky folders filled with papers. With the click of a button, you can gain immediate access to valuable resources on any device. This convenience allows for efficient studying, researching, and reading on the go. Moreover, the cost-effective nature of downloading Asynchronous Circuits has democratized knowledge. Traditional books and academic journals can be expensive, making it difficult for individuals with limited financial resources to access information. By offering free PDF downloads, publishers and authors are enabling a wider audience to benefit from their work. This inclusivity promotes equal opportunities for learning and personal growth. There are numerous websites and platforms where individuals can download Asynchronous Circuits. These websites range from academic databases offering research papers and journals to online libraries with an expansive collection of books from various genres. Many authors and publishers also upload their work to specific websites, granting readers access to their content without any charge. These platforms not only provide access to existing literature but also serve as an excellent platform for undiscovered authors to share their work with the world. However, it is essential to be cautious while downloading Asynchronous Circuits. Some websites may offer pirated or illegally obtained copies of copyrighted material. Engaging in such activities not only violates copyright laws but also undermines the efforts of authors, publishers, and researchers. To ensure ethical downloading, it is advisable to utilize reputable websites that prioritize the legal distribution of content. When downloading Asynchronous Circuits, users should also consider the potential security risks associated with online platforms. Malicious actors may exploit vulnerabilities in unprotected websites to distribute malware or steal personal information. To protect themselves, individuals should ensure their devices have reliable antivirus software installed and validate the legitimacy of the websites they are downloading from. In conclusion, the ability to download Asynchronous Circuits has transformed the way we access information. With the convenience, cost-effectiveness, and accessibility it offers, free PDF downloads have become a popular

choice for students, researchers, and book lovers worldwide. However, it is crucial to engage in ethical downloading practices and prioritize personal security when utilizing online platforms. By doing so, individuals can make the most of the vast array of free PDF resources available and embark on a journey of continuous learning and intellectual growth.

FAQs About Asynchronous Circuits Books

How do I know which eBook platform is the best for me? Finding the best eBook platform depends on your reading preferences and device compatibility. Research different platforms, read user reviews, and explore their features before making a choice. Are free eBooks of good quality? Yes, many reputable platforms offer high-quality free eBooks, including classics and public domain works. However, make sure to verify the source to ensure the eBook credibility. Can I read eBooks without an eReader? Absolutely! Most eBook platforms offer webbased readers or mobile apps that allow you to read eBooks on your computer, tablet, or smartphone. How do I avoid digital eye strain while reading eBooks? To prevent digital eye strain, take regular breaks, adjust the font size and background color, and ensure proper lighting while reading eBooks. What the advantage of interactive eBooks? Interactive eBooks incorporate multimedia elements, quizzes, and activities, enhancing the reader engagement and providing a more immersive learning experience. Asynchronous Circuits is one of the best book in our library for free trial. We provide copy of Asynchronous Circuits in digital format, so the resources that you find are reliable. There are also many Ebooks of related with Asynchronous Circuits. Where to download Asynchronous Circuits online for free? Are you looking for Asynchronous Circuits PDF? This is definitely going to save you time and cash in something you should think about. If you trying to find then search around for online. Without a doubt there are numerous these available and many of them have the freedom. However without doubt you receive whatever you purchase. An alternate way to get ideas is always to check another Asynchronous Circuits. This method for see exactly what may be included and adopt these ideas to your book. This site will almost certainly help you save time and effort, money and stress. If you are looking for free books then you really should consider finding to assist you try this. Several of Asynchronous Circuits are for sale to free while some are payable. If you arent sure if the books you would like to download works with for usage along with your computer, it is possible to download free trials. The free guides make it easy for someone to free access online library for download books to your device. You can get free download on free trial for lots of books categories. Our library is the biggest of these that have literally hundreds of thousands of different products categories represented. You will also see that there are specific sites catered to different product types or categories, brands or niches related with Asynchronous Circuits. So depending on what exactly you are searching, you will be able to choose e books to suit your own need. Need to access completely for Campbell Biology Seventh Edition book? Access Ebook without any digging. And by having access to our

ebook online or by storing it on your computer, you have convenient answers with Asynchronous Circuits To get started finding Asynchronous Circuits, you are right to find our website which has a comprehensive collection of books online. Our library is the biggest of these that have literally hundreds of thousands of different products represented. You will also see that there are specific sites catered to different categories or niches related with Asynchronous Circuits So depending on what exactly you are searching, you will be able to choose ebook to suit your own need. Thank you for reading Asynchronous Circuits. Maybe you have knowledge that, people have search numerous times for their favorite readings like this Asynchronous Circuits, but end up in harmful downloads. Rather than reading a good book with a cup of coffee in the afternoon, instead they juggled with some harmful bugs inside their laptop. Asynchronous Circuits is available in our book collection an online access to it is set as public so you can download it instantly. Our digital library spans in multiple locations, allowing you to get the most less latency time to download any of our books like this one. Merely said, Asynchronous Circuits is universally compatible with any devices to read.

Find Asynchronous Circuits :

allan smiths teenage moneymaking guide

~~all corvettes are red the rebirth of an american classic~~

all in the first family the presidents kinfolk

~~all for one 52 ways to build a winning team 52 ways~~

all that summer she was mad virginia woolf female victim of male medicine.

all-optical communication systems architecture control and network issues ii

all things made new

all about racing cars

all that glisters

~~all about stock market strategies~~

all of these people

all asia guide south asia volume i

all cloudless glory making a nation

~~alleggheny ecstasy~~

all colour wok cookbook

Asynchronous Circuits :

fillable online kmtc may intake 2014 application forms pdf filler - Jul 31 2023

web kmtc may intake 2014 application forms get form show details hide details mtc may intake 2014 application forms free
mtc may intake 2014 application

kmtc online application forms 2023 2024 admission - Nov 22 2022

web kmtc application form 2014 intake a5i2n1h2wmanu get form show details hide details mtc application form 2014 intake
[kmtc thika 2023 2024 intake admission application form](#) - Sep 20 2022

web 2 kmtc course application form for 2014 intake 2022 08 02 and training challenges of making ana units capable of
operating independently receive particular emphasis the

kmtc intake 2024 2025 march intake and september - Apr 27 2023

web the kenya medical training college kmtc intakes application form 2024 2025 applications are invited from qualified
candidates wishing to pursue the following

[kmtc application form 2014 intake test report and support gold ac](#) - Jul 19 2022

web how to apply for kmic may intake 2023 the instruction on how to apply to the kenya institute of mass communication
kimc may intake is clearly stated below therefore

kmtc may intake 2023 2024 beraportal kenya - Jun 17 2022

web related content kmtc application form pdf download application deadlines insead mba intake application forms kmtc
application letter exp 11 30 2014 u s

downloads kenya medical training college kmtc ac ke - Feb 11 2022

web nov 28 2022 p o box 30195 00100 nairobi kenya email us enquiries info kmtc ac ke admissions admissions kmtc ac ke
kenyapen we understand

kmtc course application form for 2014 intake download only - Aug 20 2022

web kmtc application form 2014 intake kmtc application form 2014 intake is globally suitable with any devices to browse it
will not accept many times as we alert before in

[application portal kenya medical training college](#) - Oct 02 2023

web contact us kenya medical training college off ngong road p o box 30195 00100 nairobi kenya email us enquiries info
kmtc ac ke admissions

[kmtc september intake 2024 2025 application form beraportal](#) - May 29 2023

web 70 the kenya medical training college kmtc intakes application form 2024 2025 applications are invited from qualified
candidates wishing to pursue the following

[get the free kmtc application form 2014 intake kmtc - Oct 22 2022](#)

web nov 30 2022 off ngong road p o box 30195 00100 nairobi kenya email us enquiries info kmtc ac ke admissions admissions kmtc ac ke kenyapen we

[kmtc kapkatet 2023 2024 intake admission application form - Jan 13 2022](#)

kmtc application 2024 2025 intake beraportal kenya - Feb 23 2023

web nairobi hospital school of nursing 2024 2025 intake online application kmtc ac ke application intake how to apply kmtc online application form 2024 2025 the

[kmtc announces admission dates for september 2023 intake - Jan 25 2023](#)

web aug 3 2023 this progressive step aims to open doors for individuals who completed the kenya certificate of secondary examination kcse between 2013 and 2022 the

[intake adverts kenya medical training college - Apr 15 2022](#)

web nov 30 2022 the management of the kenya medical training college kmtc invites application from suitably and interested candidates seeking admission to study at

[fillable online oufi kmtc application form 2014 intake kmtc - Dec 24 2022](#)

web kmtc application form 2014 intake oufi get form show details hide details mtc application form 2014 intake paperback clear speech from the start teachers

[fillable online kmtc may intake 2014 application forms pdffiller - Mar 27 2023](#)

web get the free kmtc may intake 2014 application forms tarp herokuapp com kmtc may intake 2014 ap get form show details hide details application mtc may intake

kmtc 2023 2024 intake admission application form kenyapen - Mar 15 2022

web contact us kenya medical training college off ngong road p o box 30195 00100 nairobi kenya email us enquiries info kmtc ac ke admissions

fillable online kmtc application form for september - Sep 01 2023

web mtc application form for september 2014 intake audiobook mediacrons com download kenya medical training college official site pdf download mtc application

fillable online kmtc application form 2014 septmber - Jun 29 2023

web it s simple with pdffiller a full online document management tool access our huge online form collection over 25m fillable forms are accessible and find the kmtc application

[kmtc application fill online printable fillable blank pdffiller - May 17 2022](#)

web intake adverts home contact us kenya medical training college off ngong road p o box 30195 00100 nairobi kenya email us enquiries info kmtc ac ke admissions

dizionario oxford study per studenti d inglese third edition inglese - Jul 05 2023

web il dizionario bilingue aggiornato con centinaia di nuove parole e nuove frasi isbn 978 0 19 484097 2 la nuova edizione del dizionario oxford study arricchito con le parole più attuali offre un forte supporto nell ampliamento del lessico e nello sviluppo delle abilità

dizionario oxford study 4 app store - Nov 28 2022

web il dizionario oxford study è un bestseller un dizionario bilingue affidabile e usato da studenti italiani che stanno imparando l inglese per sviluppare lessico e abilità linguistiche puoi cercare una parola sia in italiano che in inglese per trovare la traduzione ascoltare la pronuncia inglese e imparare a usarla correttamente

dizionario oxford study per studenti d inglese third edition inglese - Sep 07 2023

web dizionario oxford study per studenti d inglese app parli italiano e vuoi imparare l inglese il dizionario oxford study è un best seller un dizionario bilingue affidabile e usato da studenti italiani che stanno imparando l inglese per sviluppare lessico e

dizionario oxford study per studenti d inglese open library - May 03 2023

web oct 3 2021 dizionario oxford study per studenti d inglese by colin mcintosh 2004 oxford university press edition in english

dizionario oxford study per studenti d inglese third edition - Dec 30 2022

web dizionario oxford study per studenti d inglese third edition rom 25 ereaders library lingua inglese aa vv aa vv amazon it libri non disponibile

dizionario oxford study per studenti d inglese upd download - Jul 25 2022

web this dizionario oxford study per studenti d inglese upd but end occurring in harmful downloads rather than enjoying a fine book next a mug of coffee in the afternoon otherwise they juggled following some harmful virus inside their computer dizionario oxford study per studenti d inglese upd is reachable in our digital library an online

dizionario oxford study per studenti d inglese android app - Feb 17 2022

web get english language teaching and learning resources for teaching english to young learners teenagers and adults

dizionario oxford study per studenti d inglese upd pdf - Apr 21 2022

web dizionario oxford study per studenti d inglese upd dictionary look up strategies and the bilingualised learner s dictionary the university of mantua the gonzaga and the jesuits 1584 1630 □□□ □ 5□ noun noun compounds in italian q skills for success reading and writing 5 student book with online practice

dizionario oxford study per studenti d inglese open library - Apr 02 2023

web feb 10 2005 dizionario oxford study per studenti d inglese inglese italiano italiano inglese by oxford university press
staff february 10 2005 oxford university press edition paperback in english italian 2rev ed edition

dizionario oxford study per studenti d inglese updated edition of - Jun 04 2023

web dizionario oxford study per studenti d inglese updated edition of this bilingual dictionary specifically written for italian
speaking learners of english lingua inglese dictionary oxford amazon it libri

dizionario oxford study per studenti d inglese upd 2022 - Jun 23 2022

web dizionario oxford della letteratura americana dizionario oxford study per studenti d inglese upd downloaded from graph
safehousetech com by guest tristin leblanc oxford dictionary of current english oxford university press usa the oxford guide
to effective writing speaking is the essential guide for everyone who needs to

dizionario oxford study per studenti d inglese dictionaries oxford - Mar 21 2022

web updated with more help and support for italian speaking learners of english

dizionario oxford study per studenti d inglese paperback - Oct 28 2022

web buy dizionario oxford study per studenti d inglese 3rd by dictionary oxford isbn 9780194302999 from amazon s book
store everyday low prices and free delivery on eligible orders dizionario oxford study per studenti d inglese amazon co uk
dictionary oxford 9780194302999 books

dizionario oxford study on the app store - Sep 26 2022

web download dizionario oxford study and enjoy it on your iphone ipad and ipod touch do you speak italian and want to learn
english the dizionario oxford study is a best seller a reliable bilingual dictionary that is used and trusted by italian speaking
learners of english to develop their vocabulary and language skills

dizionario oxford study per studenti d inglese inglese italiano - Aug 06 2023

web dizionario oxford study per studenti d inglese inglese italiano italiano inglese free download borrow and streaming
internet archive

dizionario oxford study per studenti d inglese copertina rigida - Aug 26 2022

web disponibilità solo 2 this bilingual dictionary is written specifically for italian learners of english containing notes in
italian on vocabulary grammar and cultural differences it guides the user through the traps faced by italian students

dizionario oxford study per studenti d inglese dictionaries oxford - Oct 08 2023

web with its clear layout and two colour design the dizionario oxford study per studenti d inglese is an easy to use practical
reference companion for italian speaking students app develop your language skills and vocabulary with the dizionario oxford
study app giving you instant access to the a z dictionary using your mobile device

dizionario oxford study per studenti d inglese android app - Mar 01 2023

web the dizionario oxford study is a best seller a reliable bilingual dictionary that is used and trusted by italian speaking learners of english to develop their vocabulary and language skills you can look up a word in either italian or english to find its translation hear english words pronounced and learn how to use them correctly

dizionario oxford study per studenti d inglese updated edition of - Jan 31 2023

web dizionario oxford study per studenti d inglese updated edition of this bilingual dictionary specifically written for italian speaking learners of english lingua inglese isbn 10 0194302997 isbn 13 9780194302999 oxford university press 2008
brossura

dizionario oxford study per studenti d inglese upd jancis - May 23 2022

web just what we provide under as with ease as evaluation dizionario oxford study per studenti d inglese upd what you afterward to read the complete danteworlds guy p raffa 2009 08 01 dante alighieri s divine comedy has despite its enormous popularity and importance often stymied readers with its multitudinous characters references and

defeat cancer 15 doctors of integrative naturopath - Feb 26 2022

web antidote for an industry dominated by surgeons rectal cancer may 02 2022 despite lifestyle improvements the incidence of rectal cancer is increasing in industrialised countries rapid advances in technology growing knowledge of the biological history of the disease and closer

defeat cancer 15 doctors of integrative and naturopathic - Mar 10 2023

web in her new book defeat cancer 15 doctors of integrative and naturopathic medicine tell you how author and medical researcher connie strasheim provides the reader with an informative overview of some new and innovative cancer treatments

defeat cancer 15 doctors of integrative naturopathic medicine - Jul 02 2022

web defeat cancer 15 doctors of integrative naturopathic medicine tell you how strasheim connie linchitz md richard rowen md robert amazon com au books

defeat cancer 15 doctors of integrative naturopathic medicine tell - May 12 2023

web may 6 2011 overview praise from joseph mercola do cancer is one of the leading causes of death in the u s and most conventional treatments are tragically ineffective and counterproductive this book will provide you with a valuable perspective that you will likely not hear about from your oncologists

defeat cancer 15 doctors of integrative naturopathic medicine - Jun 01 2022

web defeat cancer 15 doctors of integrative naturopathic medicine tell you how ebook strasheim connie doctors 13 cancer linchitz md richard rowen md robert amazon com au kindle store

buy defeat cancer 15 doctors of integrative naturopathic - Aug 03 2022

web may 6 2011 it takes about 7 hours and 52 minutes on average for a reader to read defeat cancer 15 doctors of

integrative naturopathic medicine tell you how this is based on the average reading speed of 250 words per minute

defeat cancer 15 doctors of integrative naturopathic medicine - Oct 05 2022

web may 6 2011 defeat cancer 15 doctors of integrative naturopathic medicine tell you how strasheim connie 13 cancer doctors linchitz md richard rowen md robert 9780982513828 books amazon ca

ebook defeat cancer 15 doctors of integrative naturopath - Mar 30 2022

web integrative cancer treatment combining conventional allopathic drug radiation and surgical approaches with naturopathic complementary and alternative strategies is an innovative model of cancer care that empowers patients to participate in their own healing process naturopathic medicine is well known

pdf defeat cancer 15 doctors of integrative naturopathic - Jul 14 2023

web free essays homework help flashcards research papers book reports term papers history science politics

[amazon com customer reviews defeat cancer 15 doctors of integrative](#) - Dec 07 2022

web find helpful customer reviews and review ratings for defeat cancer 15 doctors of integrative naturopathic medicine tell you how at amazon com read honest and unbiased product reviews from our users

defeat cancer 15 doctors of integrative naturopathic medicine - Nov 06 2022

web defeat cancer 15 doctors of integrative naturopathic medicine tell you how ebook strasheim connie doctors 13 cancer linchitz md richard rowen md robert amazon in kindle store

defeat cancer 15 doctors of integrative naturopath copy - Apr 11 2023

web defeat cancer 15 doctors of integrative naturopath integrative oncology mar 30 2020 people facing a new diagnosis of cancer are unsettled by their prognosis and treatment options and they often seek to integrate complementary modalities into their conventional care plan hoping to improve their chances of cure and decrease side effects

defeat cancer 15 doctors of integrative naturopathic medici - Dec 27 2021

web want to read all pages of defeat cancer 15 doctors of integrative naturopathic medici online book just visit this link bit ly 1v7mfhg defeat can

defeat cancer 15 doctors of integrative naturopathic medicine - Sep 04 2022

web compre online defeat cancer 15 doctors of integrative naturopathic medicine tell you how de linchitz md richard rowen md robert strasheim connie na amazon frete grÁtis em milhares de produtos com o amazon prime encontre diversos livros escritos por linchitz md richard rowen md robert strasheim connie com ótimos

defeat cancer 15 doctors of integrative naturopathic medicine - Aug 15 2023

web may 6 2011 defeat cancer 15 doctors of integrative naturopathic medicine tell you how strasheim connie 13 cancer doctors linchitz md richard rowen md robert on amazon com free shipping on qualifying offers

defeat cancer 15 doctors of integrative naturopath - Jan 28 2022

web jul 18 2023 defeat cancer 15 doctors of integrative naturopath is available in our digital library an online access to it is set as public so you can download it instantly our books collection spans in multiple countries allowing you to get the most less latency

defeat cancer 15 doctors of integrative naturopathic medicine tell - Feb 09 2023

web may 6 2011 defeat cancer 15 doctors of integrative naturopathic medicine tell you how strasheim connie 13 cancer doctors linchitz md richard rowen md robert amazon co uk books

defeat cancer 15 doctors of integrative naturopathic medicine - Jan 08 2023

web buy defeat cancer 15 doctors of integrative naturopathic medicine tell you how by strasheim connie linchitz md richard rowen md robert online on amazon ae at best prices fast and free shipping free returns cash on delivery available on eligible purchase

defeat cancer 15 doctors of integrative naturopathic - Jun 13 2023

web one on one with 15 cancer doctors if you traveled the world for appointments with fifteen ca defeat cancer 15 doctors of integrative naturopathic medicine tell you how by connie strasheim goodreads

buy defeat cancer 15 doctors of integrative naturopathic - Apr 30 2022

web amazon in buy defeat cancer 15 doctors of integrative naturopathic medicine tell you how book online at best prices in india on amazon in read defeat cancer 15 doctors of integrative naturopathic medicine tell you how book reviews author details and more at amazon in free delivery on qualified orders