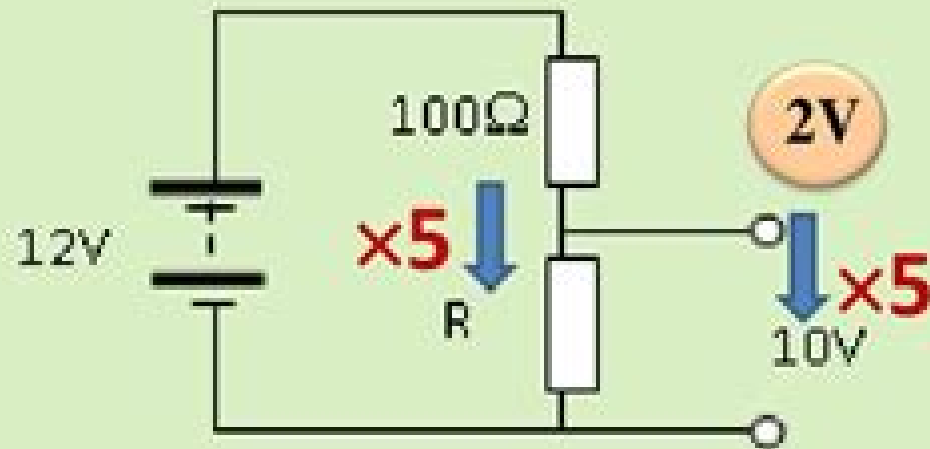


Advanced Circuit Analysis

12. What is R?



Method 1 – Every reliable formula

$$R_{out} = ? \quad V_{in} = 12V \quad V_{out} = 10V \quad R_D = 100 \Omega$$

$$R_{out} = \frac{V_{out} R_D}{V_{in} - V_{out}}$$

$$R_{out} = \frac{10 \times 100}{12 - 10}$$

$$R_{out} = 500 \Omega$$

Method 2 – Ratios on the diagram

Using the ratios on the diagram

$$R = 100 \times 2 = 500 \Omega$$

Advanced Circuit Analysis

**Pratt Institute. School of Science and
Technology**



Advanced Circuit Analysis:

Essentials of Advanced Circuit Analysis Djafar K. Mynbaev, 2024-03-12 ESSENTIALS OF ADVANCED CIRCUIT ANALYSIS Comprehensive textbook answering questions regarding the Advanced Circuit Analysis subject including its theory experiment and role in modern and future technology Essentials of Advanced Circuit Analysis focuses on fundamentals with the balance of a systems theoretical approach and current technological issues The book aims to achieve harmony between simplicity engineering practicality and perceptivity in the material presentation Each chapter presents its material on various levels of technological and mathematical difficulty broadening the potential readership and making the book suitable for both engineering and engineering technology curricula Essentials of Advanced Circuit Analysis is an instrument that will introduce our readers to real life engineering problems why they crop up and how they are solved The text explains the need for a specific task shows the possible approaches to meeting the challenge discusses the proper method to pursue finds the solution to the problem and reviews the solution s correctness the options of its obtaining and the limitations of the methods and the results Essentials of Advanced Circuit Analysis covers sample topics such as Traditional circuit analysis s methods and techniques concentrating on the advanced circuit analysis in the time domain and frequency domain Application of differential equations for finding circuits transient responses in the time domain and classical solution integration of circuit s differential equation including the use of the convolution integral Laplace and Fourier transforms as the main modern methods of advanced circuit analysis in the frequency domain Essentials of Advanced Circuit Analysis is an ideal textbook and can be assigned for electronics signals and systems control theory and spectral analysis courses It s also valuable to industrial engineers who want to brush up on a specific advanced circuit analysis topic

Advanced Circuit Analysis and Design H Michael Thomas, 2014-04-08 This book is intended to be a follow on to a basic circuit analysis text that can be offered in an upper level term It could also be used by students as supplementary material for self study and as an additional source of information Problem solutions are provided for all the problems in the book in order to provide the student with an extensive source of worked examples The book covers advanced circuit analysis using the Laplace transform system analysis in the frequency domain using Bode plots and the design of passive and active filter circuits Visit author Facebook Page at facebook com HMichaelThomas Books

Advanced Circuit Analysis Paul E. Bennett, 1992 A student friendly introduction to the basics of electric circuit analysis this sophomore level text covers traditional material as well as such modern topics as op amps and the use of digital computers for circuit analysis The presentation is very lucid and thorough with clearer and more complete explanations of Kirchoff s laws and nodal analysis than in comparable texts Bobrow also places greater emphasis on signals and waveforms This text features evaluation of initial conditions phasor diagrams and coverage of SPICE

Advanced Electrical Circuit Analysis Mehdi Rahmani-Andebili, 2021-07-21 This study guide is designed for students taking advanced courses in electrical circuit analysis The book includes examples questions and

exercises that will help electrical engineering students to review and sharpen their knowledge of the subject and enhance their performance in the classroom Offering detailed solutions multiple methods for solving problems and clear explanations of concepts this hands on guide will improve student s problem solving skills and basic understanding of the topics covered in electric circuit analysis courses

Advanced Circuit Analysis I (Laboratory Manual), 2005 *AC Electrical Circuit Analysis* Mehdi Rahmani-Andebili, 2021-01-04 This study guide is designed for students taking courses in electrical circuit analysis The textbook includes examples questions and exercises that will help electrical engineering students to review and sharpen their knowledge of the subject and enhance their performance in the classroom Offering detailed solutions multiple methods for solving problems and clear explanations of concepts this hands on guide will improve student s problem solving skills and basic understanding of the topics covered in electric circuit analysis courses Exercises cover a wide selection of basic and advanced questions and problems Categorizes and orders the problems based on difficulty level hence suitable for both knowledgeable and under prepared students Provides detailed and instructor recommended solutions and methods along with clear explanations Can be used along with the core textbooks in AC circuit analysis and advanced electrical circuit analysis

Advanced Electrical Circuits Analysis Mehdi Rahmani-Andebili, 2025-11-27 This study guide is designed for both groups of instructors and students enrolled in advanced electrical circuit analysis courses The textbook includes problems with detailed solutions to help students understand the subjects in depth It features partially solved exercises that encourage practice while guiding students through the problem solving process and providing hints for the required formulas Additionally it offers exercises with final answers to motivate students to practice independently while also aiding instructors in creating tests or quizzes The material covered in the book includes the state equations of electrical circuits circuit analysis in Laplace domain network function and its applications and theorems in Laplace domain zero and nonzero natural frequencies of a circuit zeros and poles of network function of a circuit and damping status of an electrical circuit linear time invariant LTI networks and applications of Tellegen s Theorem for LTI networks impedance admittance hybrid and transmission matrices of a two port network and series parallel and cascade connections of two port networks

Practical Analysis of Advanced Electronic Circuits Through Experimentation Lorne MacDonald, 1984 *Electronic Circuit Analysis and Design* William Hart Hayt, Gerold W. Neudeck, 1984

Advanced Circuit Simulation Using Multisim Workbench David Baez-Lopez, Félix E. Guerrero-Castro, Ofelia Delfina Cervantes-Villagómez, 2022-06-01 Multisim is now the de facto standard for circuit simulation It is a SPICE based circuit simulator which combines analog discrete time and mixed mode circuits In addition it is the only simulator which incorporates microcontroller simulation in the same environment It also includes a tool for printed circuit board design

Advanced Circuit Simulation Using Multisim Workbench is a companion book to *Circuit Analysis Using Multisim* published by Morgan Claypool in 2011 This new book covers advanced analyses and the creation of models and subcircuits It also includes coverage of transmission lines the special elements which are used to connect

components in PCBs and integrated circuits Finally it includes a description of Ultiboard the tool for PCB creation from a circuit description in Multisim Both books completely cover most of the important features available for a successful circuit simulation with Multisim Table of Contents Models and Subcircuits Transmission Lines Other Types of Analyses Simulating Microcontrollers PCB Design With Ultiboard

DC Electrical Circuit Analysis Mehdi Rahmani-Andebili,2020-10-09 This study guide is designed for students taking courses in electrical circuit analysis The book includes examples questions and exercises that will help electrical engineering students to review and sharpen their knowledge of the subject and enhance their performance in the classroom Offering detailed solutions multiple methods for solving problems and clear explanations of concepts this hands on guide will improve student s problem solving skills and basic understanding of the topics covered in electric circuit analysis courses

IBM Electronic Circuit Analysis Program Randall W. Jensen,Mark D. Lieberman,1968

Computational Electronic Circuits Sotoudeh Hamedi-Hagh,2021-08-01 This textbook teaches in one coherent presentation the three distinct topics of analysis of electronic circuits mathematical numerical algorithms and coding in a software such as MATLAB By combining the capabilities of circuit simulators and mathematical software the author teaches key concepts of circuit analysis and algorithms using a modern approach The DC Transient AC Noise and behavioral analyses are implemented in MATLAB to study the complete characteristics of a variety of electronic circuits such as amplifiers rectifiers hysteresis circuits harmonic traps and passes polyphaser filters directional couplers electro static discharge and piezoelectric crystals This book teaches basic and advanced circuit analysis by incorporating algorithms and simulations that teach readers how to develop their own simulators and fully characterize and design electronic circuits Teaches students and practitioners DC AC Transient Noise and Behavioral analyses using MATLAB Shows readers how to create their own complete simulator in MATLAB by adding materials learned in all 6 chapters of the book Balances theory math and analysis Introduces many examples such as noise minimization parameter optimization power splitters harmonic traps and passes directional couplers polyphase filters and electro static discharge that are hardly referenced in other textbooks Teaches how to create the fundamental analysis functions such as linear and nonlinear equation solvers determinant calculation random number generation and Fast Fourier transformation rather than using the built in native MATLAB codes

Linear Circuit Analysis Raymond A. DeCarlo, Pen-Min Lin,1995 The combined three volumes of these texts cover traditional linear circuit analysis topics both concepts and computation including the use of available software for problem solution where necessary The text balances emphasis on concepts and calculation so students learn the basic principles and properties that govern circuits behaviour while they gain a firm understanding of how to solve computational techniques they will face in the world of professional engineers

Advanced Circuits Bowen's Publishing Division,Robert Brownell Angus,2007-01-01 This text is an extension of those principles applied to steady state dc and sine shaped ac circuit analysis It describes how circuits and systems undergoing a variety of excitations both natural and forced may be analyzed using Laplace techniques This text is an

excellent introduction to more advanced texts involving electromechanical electronic and control systems Circuit analysis is applicable to many disciplines Today circuit analysis includes more than just components and circuits it can include devices and systems whose complexity ranges from a simple amplifier to the turning of an aircraft monitoring radar and the positioning of an entire aircraft carrier

Fundamentals of Circuit Analysis with Applications to Electronics James Fisk,1987
Catalog Issue Pratt Institute. School of Science and Technology,1926 *Operational Circuit Analysis* Vannevar Bush,Norbert Wiener,1929 *Circuit Analysis of A-C Power Systems...* Edith Clarke,1950 *Electronic Circuit Analysis and Design* Donald A. Neamen,2001 This junior level electronics text provides a foundation for analyzing and designing analog and digital electronic circuits Computer analysis and design are recognized as significant factors in electronics throughout the book The use of computer tools is presented carefully alongside the important hand analysis and calculations The author Don Neamen has many years experience as an engineering educator and an engineer His experience shines through each chapter of the book rich with realistic examples and practical rules of thumb The book is divided into three parts Part 1 covers semiconductor devices and basic circuit applications Part 2 covers more advanced topics in analog electronics and Part 3 considers digital electronic circuits

This is likewise one of the factors by obtaining the soft documents of this **Advanced Circuit Analysis** by online. You might not require more mature to spend to go to the books instigation as capably as search for them. In some cases, you likewise get not discover the publication Advanced Circuit Analysis that you are looking for. It will enormously squander the time.

However below, with you visit this web page, it will be as a result certainly easy to acquire as with ease as download guide Advanced Circuit Analysis

It will not undertake many period as we run by before. You can realize it while play something else at home and even in your workplace. appropriately easy! So, are you question? Just exercise just what we pay for under as well as review **Advanced Circuit Analysis** what you in the manner of to read!

<https://www.cruiselady.com/About/virtual-library/HomePages/Belabored%20Professions%20Narratives%20Of%20African%20American%20Working%20Womanhood.pdf>

Table of Contents Advanced Circuit Analysis

1. Understanding the eBook Advanced Circuit Analysis
 - The Rise of Digital Reading Advanced Circuit Analysis
 - Advantages of eBooks Over Traditional Books
2. Identifying Advanced Circuit Analysis
 - Exploring Different Genres
 - Considering Fiction vs. Non-Fiction
 - Determining Your Reading Goals
3. Choosing the Right eBook Platform
 - Popular eBook Platforms
 - Features to Look for in an Advanced Circuit Analysis
 - User-Friendly Interface
4. Exploring eBook Recommendations from Advanced Circuit Analysis

- Personalized Recommendations
 - Advanced Circuit Analysis User Reviews and Ratings
 - Advanced Circuit Analysis and Bestseller Lists
5. Accessing Advanced Circuit Analysis Free and Paid eBooks
 - Advanced Circuit Analysis Public Domain eBooks
 - Advanced Circuit Analysis eBook Subscription Services
 - Advanced Circuit Analysis Budget-Friendly Options
 6. Navigating Advanced Circuit Analysis eBook Formats
 - ePub, PDF, MOBI, and More
 - Advanced Circuit Analysis Compatibility with Devices
 - Advanced Circuit Analysis Enhanced eBook Features
 7. Enhancing Your Reading Experience
 - Adjustable Fonts and Text Sizes of Advanced Circuit Analysis
 - Highlighting and Note-Taking Advanced Circuit Analysis
 - Interactive Elements Advanced Circuit Analysis
 8. Staying Engaged with Advanced Circuit Analysis
 - Joining Online Reading Communities
 - Participating in Virtual Book Clubs
 - Following Authors and Publishers Advanced Circuit Analysis
 9. Balancing eBooks and Physical Books Advanced Circuit Analysis
 - Benefits of a Digital Library
 - Creating a Diverse Reading Collection Advanced Circuit Analysis
 10. Overcoming Reading Challenges
 - Dealing with Digital Eye Strain
 - Minimizing Distractions
 - Managing Screen Time
 11. Cultivating a Reading Routine Advanced Circuit Analysis
 - Setting Reading Goals Advanced Circuit Analysis
 - Carving Out Dedicated Reading Time
 12. Sourcing Reliable Information of Advanced Circuit Analysis

- Fact-Checking eBook Content of Advanced Circuit Analysis
 - Distinguishing Credible Sources
13. Promoting Lifelong Learning
- Utilizing eBooks for Skill Development
 - Exploring Educational eBooks
14. Embracing eBook Trends
- Integration of Multimedia Elements
 - Interactive and Gamified eBooks

Advanced Circuit Analysis Introduction

In today's digital age, the availability of Advanced Circuit Analysis books and manuals for download has revolutionized the way we access information. Gone are the days of physically flipping through pages and carrying heavy textbooks or manuals. With just a few clicks, we can now access a wealth of knowledge from the comfort of our own homes or on the go. This article will explore the advantages of Advanced Circuit Analysis books and manuals for download, along with some popular platforms that offer these resources. One of the significant advantages of Advanced Circuit Analysis books and manuals for download is the cost-saving aspect. Traditional books and manuals can be costly, especially if you need to purchase several of them for educational or professional purposes. By accessing Advanced Circuit Analysis versions, you eliminate the need to spend money on physical copies. This not only saves you money but also reduces the environmental impact associated with book production and transportation. Furthermore, Advanced Circuit Analysis books and manuals for download are incredibly convenient. With just a computer or smartphone and an internet connection, you can access a vast library of resources on any subject imaginable. Whether you're a student looking for textbooks, a professional seeking industry-specific manuals, or someone interested in self-improvement, these digital resources provide an efficient and accessible means of acquiring knowledge. Moreover, PDF books and manuals offer a range of benefits compared to other digital formats. PDF files are designed to retain their formatting regardless of the device used to open them. This ensures that the content appears exactly as intended by the author, with no loss of formatting or missing graphics. Additionally, PDF files can be easily annotated, bookmarked, and searched for specific terms, making them highly practical for studying or referencing. When it comes to accessing Advanced Circuit Analysis books and manuals, several platforms offer an extensive collection of resources. One such platform is Project Gutenberg, a nonprofit organization that provides over 60,000 free eBooks. These books are primarily in the public domain, meaning they can be freely distributed and downloaded. Project Gutenberg offers a wide range of classic literature, making it an excellent resource for literature enthusiasts. Another popular platform for Advanced

Circuit Analysis books and manuals is Open Library. Open Library is an initiative of the Internet Archive, a non-profit organization dedicated to digitizing cultural artifacts and making them accessible to the public. Open Library hosts millions of books, including both public domain works and contemporary titles. It also allows users to borrow digital copies of certain books for a limited period, similar to a library lending system. Additionally, many universities and educational institutions have their own digital libraries that provide free access to PDF books and manuals. These libraries often offer academic texts, research papers, and technical manuals, making them invaluable resources for students and researchers. Some notable examples include MIT OpenCourseWare, which offers free access to course materials from the Massachusetts Institute of Technology, and the Digital Public Library of America, which provides a vast collection of digitized books and historical documents. In conclusion, Advanced Circuit Analysis books and manuals for download have transformed the way we access information. They provide a cost-effective and convenient means of acquiring knowledge, offering the ability to access a vast library of resources at our fingertips. With platforms like Project Gutenberg, Open Library, and various digital libraries offered by educational institutions, we have access to an ever-expanding collection of books and manuals. Whether for educational, professional, or personal purposes, these digital resources serve as valuable tools for continuous learning and self-improvement. So why not take advantage of the vast world of Advanced Circuit Analysis books and manuals for download and embark on your journey of knowledge?

FAQs About Advanced Circuit Analysis Books

How do I know which eBook platform is the best for me? Finding the best eBook platform depends on your reading preferences and device compatibility. Research different platforms, read user reviews, and explore their features before making a choice. Are free eBooks of good quality? Yes, many reputable platforms offer high-quality free eBooks, including classics and public domain works. However, make sure to verify the source to ensure the eBook credibility. Can I read eBooks without an eReader? Absolutely! Most eBook platforms offer web-based readers or mobile apps that allow you to read eBooks on your computer, tablet, or smartphone. How do I avoid digital eye strain while reading eBooks? To prevent digital eye strain, take regular breaks, adjust the font size and background color, and ensure proper lighting while reading eBooks. What the advantage of interactive eBooks? Interactive eBooks incorporate multimedia elements, quizzes, and activities, enhancing the reader engagement and providing a more immersive learning experience. Advanced Circuit Analysis is one of the best book in our library for free trial. We provide copy of Advanced Circuit Analysis in digital format, so the resources that you find are reliable. There are also many Ebooks of related with Advanced Circuit Analysis. Where to download Advanced Circuit Analysis online for free? Are you looking for Advanced Circuit Analysis PDF? This is definitely going to save

you time and cash in something you should think about.

Find Advanced Circuit Analysis :

~~belabored professions narratives of african american working womanhood~~

benson and hedges cricket year september 1999 to september 2000

being in light

being good and doing good leads

ben jonsons every man in his humor ben jonson series no. 5 by

belonging place

being there

~~beloved prison a journey into the unknown self~~

being out of order some poems and the uncommercial traveller

belly dancer in you

~~beneath an opal moon~~

benjamin graham on value investing lessons from the dean of wall street

beneath the mask understanding adopted teens

beirut conspiracy

berenstain bears and the broken piggy bank

Advanced Circuit Analysis :

resignation letter due to low salary with samples - Jul 14 2023

web jul 30 2023 when writing a resignation letter due to low salary express gratitude and appreciation for the opportunities and experiences gained at the company clearly state the issue of low salary as the reason for resigning without resorting to

resignation letter due to low salary sample format your - Jan 08 2023

web feb 10 2022 sample low salary resignation letter format writing a letter of resignation due to low salary problem salary issue and unsatisfied salary hr letter formats free human resource forms formats questionnaires

resignation letter due to low salary increment 5 samples - Oct 05 2022

web sep 30 2022 in this resignation letter due to low salary increment the person gets to the point immediately and does so in a polite manner they talk about the time spent at work the good things as well as a brief explanation of why the low salary

increment is a problem for them in particular date

resignation letter due to low salary problem samples - Jun 13 2023

web sep 26 2022 here are some sample letters of resignation you can use and adapt to your current situation sample 1 resignation letter due to low salary problem below briefly describe on sample resign letter format due to low salary problem even if your employer knows you are quitting due to a low salary leave that reason out of the

how to write a resignation letter with samples the balance - Jul 02 2022

web dec 2 2022 here s how to write a resignation letter with information on what to include in each section of the letter contact information written letter a written letter should include your and the employer s contact information name title company name address phone number email followed by the date contact information email in an email

resignation letter due to salary issues problem semioffice com - Apr 11 2023

web sample resign letter due to salary problems like poor and insufficient salary package from the employer or company people resign for salary issues like low salary salary deductions pending salary decreased salary salary not being paid regularly or

how to write an effective resignation letter due to low salary - Jun 01 2022

web jun 4 2023 how to write a letter of resignation a comprehensive guide how to write the perfect thank you letter to employee after resignation it is with deep regret that i am submitting my resignation from my current position as job title due to the low salary increment and constant delay in payments

resignation letter for low salary with samples resumekraft - May 12 2023

web jul 30 2023 statement of resignation clearly state your intention to resign from your position due to the low salary reasons briefly explain the reasons behind your decision to leave emphasizing the low salary as a significant factor

resignation letter for chemist due low salary - Feb 26 2022

web resignation letter for chemist due low salary actuarial resignation letters resignation letter may 30th 2018 a letter of resignation is the last use these sample junior chemist resignation letters as use this sample salary increase request letter as a

resignation letter for unsatisfied salary samples optimistminds - Nov 06 2022

web sep 26 2022 sample 4 resignation letter for unsatisfied salary in this example we will see a resignation letter for unsatisfied salary due to low salary and unfair deductions respectable ceo dear sir most respectfully i want to inform that i am facing problems at work one of the main problem is low salary and unfair deductions

simple letter of resignation examples and writing tips the - Apr 30 2022

web aug 4 2022 use this letter of resignation sample to formally inform your employer that you are submitting your

resignation this letter is brief and to the point james cantore 801 north broadway sarasota fl 33208 613 546 7901 james l cantore email com september 1 2022 mandora han

[writing a letter of resignation due to low salary with](#) - Feb 09 2023

web jan 9 2023 most respectfully i want to say that i am facing problems at work the main problem being the low salary describe in your own words i am unable to afford my basics and secondly other employers are paying a much handsome salary for the particular job i am performing at your company

[resignation letter for chemist due low salary download only](#) - Dec 27 2021

web resignation letter for chemist due low salary 1 resignation letter for chemist due low salary eventually you will totally discover a supplementary experience and attainment by spending more cash yet when accomplish you put up with that you require to acquire those all needs next having significantly cash why dont you try to get

[how to write a letter for resignation due to low salary ask me fast](#) - Mar 30 2022

web subject resignation letter dear ma am sir name of the recipient i am your name from department i am sending you this letter as notification that i would like to resign from this company on date

letter of resignation for better pay example the balance - Aug 03 2022

web sep 6 2021 leaving a job resignation letter due to better salary and benefits by alison doyle updated on september 6 2021 photo tom werner getty images there are as many reasons to quit your job but there s nothing quite as satisfying as quitting a position because a far better opportunity has presented itself

[how to write a resignation letter due to low salary markative](#) - Sep 04 2022

web not being clear about the reason for resigning when writing a resignation letter due to low salary increment it s important to clearly state the reason for resigning be specific and direct about the issue you have with the salary increment and how it has led to your decision to resign

writing a letter of resignation due to low salary with indeed - Aug 15 2023

web jun 24 2022 how to write a resignation letter due to low salary if you are leaving a job due to low salary here are some steps you can use to help you write your letter of resignation 1 carefully consider your reasons before you begin writing your letter of resignation be sure your reasons for leaving are clear

sample resign letter format due to poor salary - Dec 07 2022

web sub resign letter due to poor salary respected employer the reason for my writing to you is that i am quitting the job the company has provided me with the reason behind quitting being the lesser salary offered describe in your own words

[how to write a resignation letter due to a low salary](#) - Mar 10 2023

web jan 5 2023 example of a resignation letter due to a low salary here s a sample letter of resignation due to low salary you

can review as an inspiration to write yours mark jones account manager 416 555 1600 mark jones email com toronto ontario december 2nd 2022

resignation letter for chemist due low salary secure4 khronos - Jan 28 2022

web jun 12 2023 salary best examples of resignation letters due to salary less resignation draft due to low pay a letter of resignation is the last use these sample junior chemist resignation letters as use this

trois histoires fantastiques du xixe sia cle by t pdf - Aug 06 2023

web 1885 l ange à trois ailes trois histoires fantastiques du xixe sia cle by t downloaded from stage gapinc com by guest escobar reynolds l année de la fiction polar s f fantastique espionnage editions l harmattan la question des rapports qui lient la raison et le récit fantastique au xixe siècle examinée ici à travers plus de

trois histoires fantastiques du xixe sia cle by t 2023 mail - Feb 17 2022

web trois histoires fantastiques du xixe sia cle by t l invention du jeune enfant au xixe siècle le xixe siècle fantastique en amérique française histoires faciles à lire comédies grand dictionnaire universel du xixe siècle bibliographie de la littérature française xvie xixe siècles catalogue de la librairie gilon à verviers

trois histoires fantastiques du xixe sia cle by t 2023 - Mar 21 2022

web des personnages l univers fantastique le fantastique de maupassant l art de maupassant grand dictionnaire universel du xixe siecle francais a z 1805 76 l anthologiste provenant d horizons socioculturels divers universitaires chercheurs et nouvellistes proposent leurs

trois histoires fantastiques du xixe siècle - Jul 05 2023

web un voyageur amoureux du fantôme d une jeune femme quand nos peurs troublent notre raison comment distinguer le rêve du réel le horla la vénus d ille et la cafetière trois chefs d œuvre de la littérature fantastique du xixe siècle réunis en un seul volume

trois histoires fantastiques du xixe sia cle by t - May 03 2023

web trois histoires fantastiques du xixe sia cle by t mfiez vous du r i s c apr 14 2020 anastasia s apprte entamer sa nouvelle carrire quand sa premiere journe se termine de faon dramatique les catastrophes s accumulent et elle ne sait plus comment s en sortir par chance elle rencontre alex qui semble avoir la rponse tous ses problmes

trois histoires fantastiques du xixe sia cle by t copy staging - Sep 26 2022

web nov 23 2022 trois histoires fantastiques du xixe sia cle by t 1 6 downloaded from staging friends library org on november 23 2022 by guest trois histoires fantastiques du xixe sia cle by t right here we have countless ebook trois histoires fantastiques du xixe sia cle by t and collections to check out

trois histoires fantastiques du xixe sia cle by t uniport edu - Jul 25 2022

web aug 29 2023 [trois histoires fantastiques du xixe sia cle by t 2 6](#) downloaded from uniport edu ng on august 29 2023 by guest and examines the relationship long the object of controversy between the movement and the italian fascist government book jacket handbook of multilingualism and multiculturalism geneviève zarate 2011 built

[trois histoires fantastiques du xixe sia cle by t copy staging](#) - Mar 01 2023

web nov 15 2022 we meet the expense of [trois histoires fantastiques du xixe sia cle by t](#) and numerous book collections from fictions to scientific research in any way along with them is this [trois histoires fantastiques du xixe sia cle by t](#) that can be your partner grand dictionnaire universel du xixe siècle pierre larousse 1867 boiardo leigh hunt 1846

[trois histoires fantastiques du xixe sia cle by t copy](#) - Jun 23 2022

web jun 16 2023 [trois histoires fantastiques du xixe sia cle by t](#) is available in our book collection an online access to it is set as public so you can download it instantly our digital library spans in multiple locations allowing you to get the most less latency time to download

[trois histoires fantastiques du xixe sia cle by t e](#) - May 23 2022

web [trois histoires fantastiques du xixe sia cle by t 2022 11 03](#) gaige archer guy de maupassant le maître de la nouvelle read books ltd cinq nouvelles fantastiques du xixe siècle gogol poe gautier l isle adam maupassant pour glisser dans le surnaturel et apprécier toutes les possibilités du genre une anthologie en lien avec

[trois histoires fantastiques du xixe siècle viabooks](#) - Jan 31 2023

web [trois histoires fantastiques du xixe siècle année de publication 2012](#) chez christophe blain genres fiction nombre de page 144 pages prix éditeur 4 00 le horla et six contes fantastiques guy de maupassant guy de maupassant le horla guy de maupassant la parure guy de maupassant le baptême guy de maupassant

[trois histoires fantastiques du xixe sia cle by t pdf](#) - Dec 30 2022

web aug 7 2023 [trois histoires fantastiques du xixe sia cle by t 2 9](#) downloaded from uniport edu ng on august 7 2023 by guest charismatic dare devil guido though endowed with immense personal charm and innate abilities as a leader of men as well as being the darling of all the girls is subtly flawed and unable to match his own significant aspirations

[trois histoires fantastiques du xixe sia cle by t pdf uniport edu](#) - Nov 28 2022

web jul 11 2023 [trois histoires fantastiques du xixe sia cle by t](#) is available in our digital library an online access to it is set as public so you can download it instantly our books collection spans in multiple locations allowing you to get the most less latency time to download any of our books like this one merely said the [trois histoires fantastiques](#)

[trois histoires fantastiques du xixe sia cle by t françois](#) - Apr 02 2023

web discover the revelation [trois histoires fantastiques du xixe sia cle by t](#) that you are looking for it will enormously squander the time however below once you visit this web page it will be appropriately entirely easy to acquire as skillfully as

download lead trois histoires fantastiques du xixe sia cle by t it will not admit many grow old

trois histoires fantastiques du xixe sia cle by t pdf - Sep 07 2023

web trois histoires fantastiques du xixe sia cle by t ditié de jehanne d arc christine de pisan 1977 the secret museum walter kendrick 1996 although erotica has always existed pornography is a recent phenomenon as late as the eighteenth century the word did not exist from the secret museums to the pornography trials of madame bovary and

trois histoires fantastiques du xixe sia cle by t copy - Oct 28 2022

web mar 14 2023 trois histoires fantastiques du xixe sia cle by t 3 9 downloaded from uniport edu ng on march 14 2023 by guest calvino s memories of his own adolescence during the second world war too young to be forced to fight in mussolini s army but old enough to be conscripted into the italian youth brigades the callow narrator of

trois histoires fantastiques du xixe sia cle by t pdf - Oct 08 2023

web trois histoires fantastiques du xixe sia cle by t le prophte du xixe sicle ou vie des saints des derniers jours mormons prcd d un aperu sur d autres socialistes unitaires et sur le gnie de la posie anglaise feb 15 2023 canadian geography may 06 2022

trois histoires fantastiques du xixe sia cle by t albert russell - Aug 26 2022

web money trois histoires fantastiques du xixe sia cle by t and numerous books collections from fictions to scientific research in any way in the middle of them is this trois histoires fantastiques du xixe sia cle by t that can be your partner

trois histoires fantastiques du xixe siècle le de guy de - Jun 04 2023

web aug 22 2012 le horla la vénus d ille et la cafetière trois chefs d oeuvre de la littérature fantastique du xixe siècle réunis en un seul volume À propos des auteurs né en 1970 christophe blain est l une des figures majeures de la bande dessinée contemporaine

trois histoires fantastiques du xixe siecle momox shop - Apr 21 2022

web trois histoires fantastiques du xixe siecle de maupassant guy de d occasion poche ean 9782070645145 qualité contrôlée jusqu à 70 d économie

introduction to deivathin kural sage of kanchi - Dec 30 2022

web feb 23 2012 24fr ganapathy in his last letter to g vaidyanathan secretary sankara bhakta jana sabha ra ganapathi prolific writer and compiler of deivathin kural has

[deivathin kural videos youtube](#) - Mar 21 2022

web jun 5 2021 a masterpiece explaining the intricacies of sanatana dharma it is based on vol 1 7 of deivathin kural by pujyasri chandrasekharendra saraswati

deivathin kural youtube - Feb 17 2022

deivathin kural corrected version sage of kanchi - Nov 28 2022

web jan 20 2023 bhagavad gita brahma sutra 108 upanishads vedas vedic hymns stotras of adi sankara gospel of sri ramakrishna gospel of holy mother complete

[voice of god deivathin kural vedanta spiritual library](#) - Aug 26 2022

web dec 8 2014 all 7 volumes of deivathin kural need been translated down english and some other indians languages they can purchase the my here

deivattin kural audios in tamil and english kanchi kamakoti - May 03 2023

web deivathin kural is a set of seven publications featuring the discourses discussions anecdotes and more of maha periyava compiled by author ra ganapathy maha

dheivathin kural digital version english tamil sage of kanchi - Apr 02 2023

web jan 25 2021 deivathin kural is a massive compilation of information relating to our traditions scriptures literature linguistics history and a host of other topics the

deivathin kural tamil all volumes available in pdf - Sep 07 2023

web welcome to our website this site reflects our efforts to provide meaningful information about the seven volumes of deivathin kural compiled from the discourses and discussions

[deivathin kural home](#) - Aug 06 2023

web jul 25 2022 deivathin kural a devotional show celebrating the life and teachings of kanchi mahaperiyava paramacharyar jagadguru shri chandrasekharendra saraswati

[deivathin kural ep 01 kanchi mahaperiyavaa youtube](#) - Jul 05 2023

web deivattin kural audios with the blessings of hh puja shri jayendra saraswathi shankaracharya swamigal hh puja shri shankara vijayendra saraswathi

deivathin kural pages about this site acharya gen in - Mar 01 2023

web feb 13 2021 introduction to deivathin kural by mahesh on february 13 2021 3 with the blessings of moolaamnaya kanchi kamakoti peetathipathi sri shankara vijayendra

📱 📱 📱 📱 📱 **deivathin apps on google play** - Jan 31 2023

web nov 11 2022 this is a highly engrossing inspirational and thought provoking book this publication by bharatiya vidya bhavan is an tamil translation of seven volumes of

deivathin kural thanks to sri ramkumaran - Jun 04 2023

web dec 8 2014 all 7 volumes of deivathin kural have been translated into english and some other indian languages you can purchase the books here

[deivathin kural all 7 volumes by tamil brahmins substack](#) - Jul 25 2022

web may 25 2013 photo m karunakaran reading the third volume of deivathin kural s sridhar 9840744400 was moved by paramacharya s appeal to people to provide a

[deivathin kural apps on google play](#) - Oct 28 2022

web jun 17 2021 tamil brahmins deivathin kural all 7 volumes in tamil pdf download now srisailam mallikarjuna view photo view photo watch video download now

voice of paramacharya the hindu - Sep 26 2022

web deivathin kural volume 5 tamil by sri kanchi kamakodi saraswathi sankarachariya swamigal

5 deivathin kural buy 5 deivathin kural online giri - Jun 23 2022

web share your videos with friends family and the world

deivathin kural free download borrow and streaming - Jan 19 2022

voice of god volume 1 3 by mahaperiyava archive org - Dec 18 2021

dheivathin kural digital version english tamil - May 23 2022

web share your videos with friends family and the world

☐ ☐ ☐☐ ☐ ☐ ☐☐ ☐ ☐☐ ☐ ☐☐ - Oct 08 2023

web ☐ ☐ ☐☐ ☐ ☐ ☐☐ ☐ ☐☐ ☐ ☐☐ ☐☐ ☐ ☐☐ ☐☐ ☐

the end with dignity the hindu - Apr 21 2022

web apr 19 2022 deivathin kural topics religion hinduism philosophy advaita vedanta collection opensource a compilation of discourses by sri chandrasekharendra