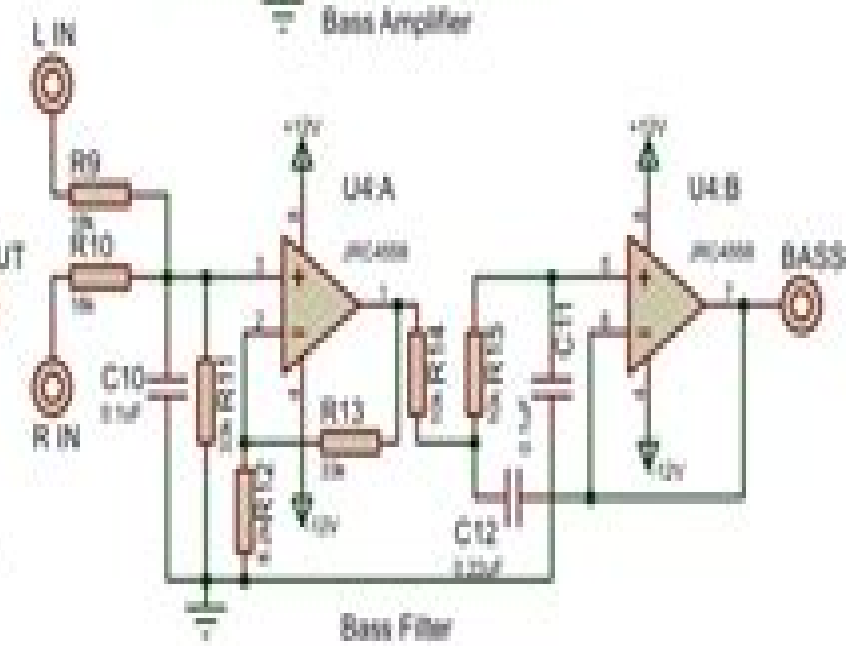
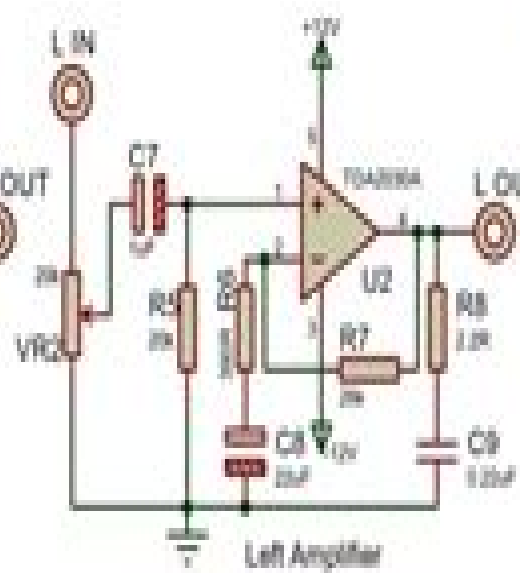
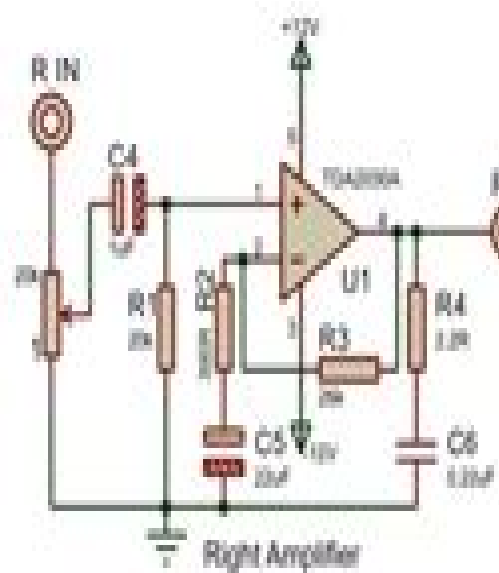
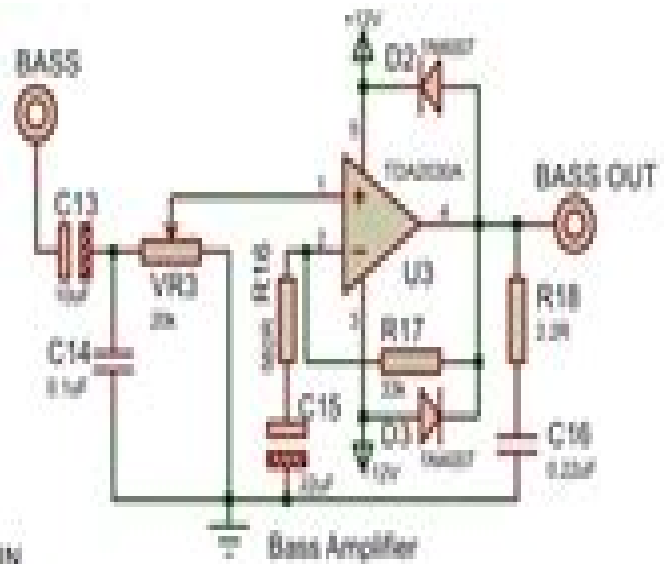
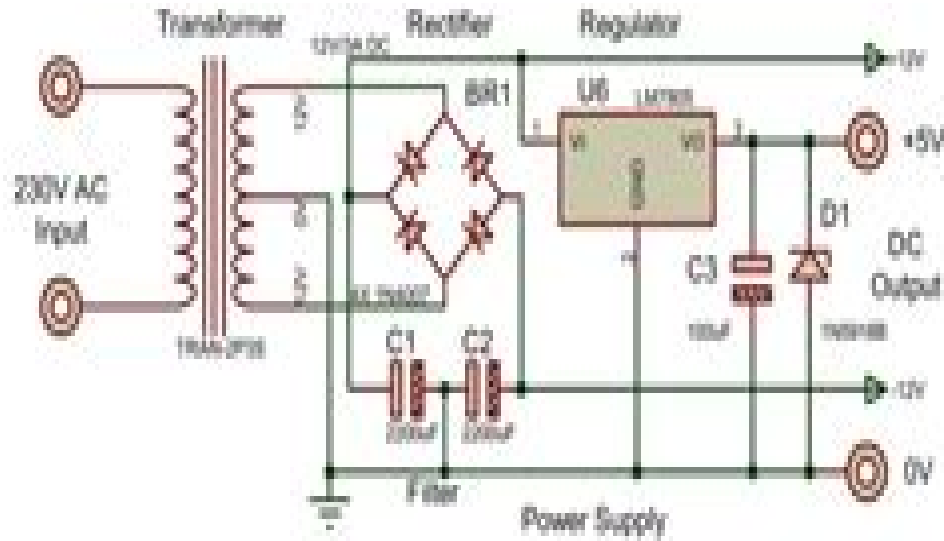


TDA2030 Audio Amplifier Circuit



Audio Amplifier Projects

Edward M. Noll



Audio Amplifier Projects:

Practical Audio Amplifier Circuit Projects Andrew Singmin, 1999-11-08 *Practical Audio Amplifier Circuit Projects* builds on the introduction to electronic circuits provided in Singmin's innovative and successful first book *Beginning Electronics Through Projects*. Both books draw on the author's many years of experience as electronics professional and as hobbyist. As a result, his project descriptions are lively, practical, and very clear. With this new volume, the reader can build relatively simple systems and achieve useable results quickly. The projects included here allow a hobbyist to build amplifier circuits, test them, and then put them into a system. Progress through a graduated series of learning activities culminates in unique devices that are nevertheless easy to build. Learn the basic building blocks of audio amplifier circuit design and then apply your knowledge to your own audio inventions. Targets the intermediate to advanced reader with challenging projects that teach important circuit theories and principles. Provides a ready source of audio circuits to professional audio engineers. Includes an electric guitar pacer project that lets you jam with your favorite band. **Audio Amplifier Projects R.**

A. Penfold, 1997 If you are an electronics or audio enthusiast, you will find in this book a wide range of useful audio amplifier projects. You won't need any detailed electronics knowledge, either, as all the projects can be constructed on simple circuit board. Each project features a circuit diagram and an explanation of the circuit operation. There is, in addition, a stripboard layout diagram, and all constructional details are provided, along with a shopping list of components. All the projects are designed for straightforward assembly on simple circuit board. Circuits include: RIAA amplifier, Tape preamplifier, Guitar and GP preamplifier, High impedance mic preamp, Low impedance mic preamp, Bass and treble tone controls, Simple graphic equaliser, Scratch and rumble filter, Loudness filter, Loudness control, Basic audio mixer, Audio limiter, Small 300 mW audio power amp, 10 watt audio power amp, High power 70 watt power amp using power MOSFETS. *Practical Audio Amplifier Circuit Projects* Andrew Singmin, 2000 *Practical Audio Amplifier Circuit Projects* builds on the introduction to electronic circuits provided in Singmin's innovative and successful first book *Beginning Electronics Through Projects*. Both books draw on the author's many years of experience as electronics professional and as hobbyist. As a result, his project descriptions are lively, practical, and very clear. With this new volume, the reader can build relatively simple systems and achieve useable results quickly. The projects included here allow a hobbyist to build amplifier circuits, test them, and then put them into a system. Progress through a graduated series of learning activities culminates in unique devices that are nevertheless easy to build. Learn the basic building blocks of audio amplifier circuit design and then apply your knowledge to your own audio inventions. Targets the intermediate to advanced reader with challenging projects that teach important circuit theories and principles. Provides a ready source of audio circuits to professional audio engineers. Includes an electric guitar pacer project that lets you jam with your favorite band. *High-Power Audio Amplifier Construction Manual* G. Randy Slone, 1999-05-22 Design and build awesome audio amps. Amateur and professional audiophiles alike can now design and construct superior

quality amplifiers at a fraction of comparable retail prices with step by step instruction from the High Power audio Amplifier Construction Manual Randy Slone professional audio writer and electronics supply marketer delivers the nuts and bolts know how you need to optimize performance for any audio system from home entertainment to musical instrument to sound stage Build a few simple projects or delve into the physics of audio amplifier operation and design This easy to understand guide walks you through Building the optimum audio power supply Audio amplifier power supplies and construction Amplifier and loudspeaker protection methods Stability distortion and performance Audio amplifier cookbook designs Construction techniques Diagnostic equipment and testing procedures Output stage configurations classes and device types Crossover distortion physics Mirror image input stage topologies

The Audiophile's Project Sourcebook: 120 High-Performance Audio Electronics Projects G. Randy Slone, 2001-11-20 Publisher's Note Products purchased from Third Party sellers are not guaranteed by the publisher for quality authenticity or access to any online entitlements included with the product THE AUDIOPHILE'S PROJECT SOURCEBOOK Build audio projects that produce great sound for far less than they cost in the store with audio hobbyists favorite writer Randy Slone In The Audiophile's Project Sourcebook Slone gives you Clear illustrated schematics and instructions for high quality high power electronic audio components that you can build at home Carefully constructed designs for virtually all standard high end audio projects backed by an author who answers his email 8 power amp designs that suit virtually any need Instructions for making your own inexpensive testing equipment Comprehensible explanations of the electronics at work in the projects you want to construct spiced with humor and insight into the electronics hobbyist's process Complete parts lists The Audiophile's Project Sourcebook is devoid of the hype superstition myths and expensive fanaticism often associated with high end audio systems It provides straightforward help in building and understanding top quality audio electronic projects that are based on solid science and produce fantastic sound THE PROJECTS YOU WANT FOR LESS Balanced input driver receiver circuits Signal conditioning techniques Voltage amplifiers Preamps for home and stage Tone controls Passive and active filters Parametric filters Graphic equalizers Biamping and triamping filters Headphone amplifiers Power amplifiers Speaker protection systems Clip detection circuits Power supplies Delay circuits Level indicators Homemade test equipment

[101 Sound, Light, and Power IC Projects](#) Charles Shoemaker, 1986

The TAB Guide to Vacuum Tube Audio: Understanding and Building Tube Amps Jerry C. Whitaker, 2011-11-05 Incorporate the tube sound into your home audio system Learn how to work with vacuum tubes and construct high quality audio amplifiers on your workbench with help from this hands on do it yourself resource The TAB Guide to Vacuum Tube Audio Understanding and Building Tube Amps explains tube theory and construction practices for the hobbyist Seven ready to build projects feature step by step instructions detailed schematics and layout tips You'll also find out how to tweak the projects each based on a classic RCA design for your own custom built amps Coverage includes Principles and operational theory behind vacuum tubes Tube nomenclature applications and specifications Circuit layout

connections and physical construction Finding and selecting the right components for the project Power supplies for vacuum tube circuits Preamplifier and power amplifier circuits Performance measurement Safety maintenance and troubleshooting techniques Tips on building your own tube based system and having fun in the process This book is intended for hobbyists interested in adding the tube sound to any audio system Readers looking for high performance audiophile books are urged to consider the McGraw Hill books by Morgan Jones Learn more at www.vacuumtubeaudio.info Make Great Stuff TAB an imprint of McGraw Hill Professional is a leading publisher of DIY technology books for makers hackers and electronics hobbyists

49 Easy Transistor Projects Robert Michael Brown, Tom Kneitel, 1968 *Audio Amateur Power Amp Projects*, 1996 **Practical Solid-state Principles & Projects** Ken W. Sessions, 1972 [One Hundred One Solderless Breadboarding Projects](#) Delton T. Horn, 1988 **Beginner's Handbook of IC Projects** David L. Heiserman, 1981 **New Skill-building Transistor Projects and Experiments** Louis E. Garner, 1966 [FET: Principles, Experiments, and Projects](#) Edward M. Noll, 1968 *49 Easy Electronic Projects for the 747 Dual Op Amp* Delton T. Horn, 1990-05 *Audio Amplifier Design* Farl Jacob Waters, 1967 [84 Practical IC Projects You Can Build](#) Ronald H. Warring, 1979 **22 Radio and Receiver Projects for the Evil Genius** Thomas Petruzzellis, 2007-09-24 MORE THAN JUST SLIGHTLY EVIL SAFE INEXPENSIVE EDUCATIONAL AND FUN 22 Radio and Receiver Projects for the Evil Genius features a unique collection of projects that teach you radio and electronics essentials such as the radio spectrum how to read schematics and how to solder After each project is completed you can enjoy listening to and using their new receiver **104 Weekend Electronics Projects** Joseph J. Carr, 1982 **Science Projects in Electronics** Edward M. Noll, 1971

Right here, we have countless books **Audio Amplifier Projects** and collections to check out. We additionally come up with the money for variant types and after that type of the books to browse. The usual book, fiction, history, novel, scientific research, as competently as various new sorts of books are readily open here.

As this Audio Amplifier Projects, it ends taking place subconscious one of the favored ebook Audio Amplifier Projects collections that we have. This is why you remain in the best website to look the amazing books to have.

<https://www.cruiselady.com/data/Resources/Documents/guide%20to%20selling%20digital%20products%20for%20stay%20at%20home%20parents%20complete.pdf>

Table of Contents Audio Amplifier Projects

1. Understanding the eBook Audio Amplifier Projects
 - The Rise of Digital Reading Audio Amplifier Projects
 - Advantages of eBooks Over Traditional Books
2. Identifying Audio Amplifier Projects
 - Exploring Different Genres
 - Considering Fiction vs. Non-Fiction
 - Determining Your Reading Goals
3. Choosing the Right eBook Platform
 - Popular eBook Platforms
 - Features to Look for in an Audio Amplifier Projects
 - User-Friendly Interface
4. Exploring eBook Recommendations from Audio Amplifier Projects
 - Personalized Recommendations
 - Audio Amplifier Projects User Reviews and Ratings
 - Audio Amplifier Projects and Bestseller Lists
5. Accessing Audio Amplifier Projects Free and Paid eBooks

- Audio Amplifier Projects Public Domain eBooks
 - Audio Amplifier Projects eBook Subscription Services
 - Audio Amplifier Projects Budget-Friendly Options
6. Navigating Audio Amplifier Projects eBook Formats
 - ePub, PDF, MOBI, and More
 - Audio Amplifier Projects Compatibility with Devices
 - Audio Amplifier Projects Enhanced eBook Features
 7. Enhancing Your Reading Experience
 - Adjustable Fonts and Text Sizes of Audio Amplifier Projects
 - Highlighting and Note-Taking Audio Amplifier Projects
 - Interactive Elements Audio Amplifier Projects
 8. Staying Engaged with Audio Amplifier Projects
 - Joining Online Reading Communities
 - Participating in Virtual Book Clubs
 - Following Authors and Publishers Audio Amplifier Projects
 9. Balancing eBooks and Physical Books Audio Amplifier Projects
 - Benefits of a Digital Library
 - Creating a Diverse Reading Collection Audio Amplifier Projects
 10. Overcoming Reading Challenges
 - Dealing with Digital Eye Strain
 - Minimizing Distractions
 - Managing Screen Time
 11. Cultivating a Reading Routine Audio Amplifier Projects
 - Setting Reading Goals Audio Amplifier Projects
 - Carving Out Dedicated Reading Time
 12. Sourcing Reliable Information of Audio Amplifier Projects
 - Fact-Checking eBook Content of Audio Amplifier Projects
 - Distinguishing Credible Sources
 13. Promoting Lifelong Learning
 - Utilizing eBooks for Skill Development

- Exploring Educational eBooks
- 14. Embracing eBook Trends
 - Integration of Multimedia Elements
 - Interactive and Gamified eBooks

Audio Amplifier Projects Introduction

In this digital age, the convenience of accessing information at our fingertips has become a necessity. Whether its research papers, eBooks, or user manuals, PDF files have become the preferred format for sharing and reading documents. However, the cost associated with purchasing PDF files can sometimes be a barrier for many individuals and organizations. Thankfully, there are numerous websites and platforms that allow users to download free PDF files legally. In this article, we will explore some of the best platforms to download free PDFs. One of the most popular platforms to download free PDF files is Project Gutenberg. This online library offers over 60,000 free eBooks that are in the public domain. From classic literature to historical documents, Project Gutenberg provides a wide range of PDF files that can be downloaded and enjoyed on various devices. The website is user-friendly and allows users to search for specific titles or browse through different categories. Another reliable platform for downloading Audio Amplifier Projects free PDF files is Open Library. With its vast collection of over 1 million eBooks, Open Library has something for every reader. The website offers a seamless experience by providing options to borrow or download PDF files. Users simply need to create a free account to access this treasure trove of knowledge. Open Library also allows users to contribute by uploading and sharing their own PDF files, making it a collaborative platform for book enthusiasts. For those interested in academic resources, there are websites dedicated to providing free PDFs of research papers and scientific articles. One such website is Academia.edu, which allows researchers and scholars to share their work with a global audience. Users can download PDF files of research papers, theses, and dissertations covering a wide range of subjects. Academia.edu also provides a platform for discussions and networking within the academic community. When it comes to downloading Audio Amplifier Projects free PDF files of magazines, brochures, and catalogs, Issuu is a popular choice. This digital publishing platform hosts a vast collection of publications from around the world. Users can search for specific titles or explore various categories and genres. Issuu offers a seamless reading experience with its user-friendly interface and allows users to download PDF files for offline reading. Apart from dedicated platforms, search engines also play a crucial role in finding free PDF files. Google, for instance, has an advanced search feature that allows users to filter results by file type. By specifying the file type as "PDF," users can find websites that offer free PDF downloads on a specific topic. While downloading Audio Amplifier Projects free PDF files is convenient, its important to note that copyright laws must be respected. Always ensure that the PDF files you download are legally available

for free. Many authors and publishers voluntarily provide free PDF versions of their work, but its essential to be cautious and verify the authenticity of the source before downloading Audio Amplifier Projects. In conclusion, the internet offers numerous platforms and websites that allow users to download free PDF files legally. Whether its classic literature, research papers, or magazines, there is something for everyone. The platforms mentioned in this article, such as Project Gutenberg, Open Library, Academia.edu, and Issuu, provide access to a vast collection of PDF files. However, users should always be cautious and verify the legality of the source before downloading Audio Amplifier Projects any PDF files. With these platforms, the world of PDF downloads is just a click away.

FAQs About Audio Amplifier Projects Books

1. Where can I buy Audio Amplifier Projects books? Bookstores: Physical bookstores like Barnes & Noble, Waterstones, and independent local stores. Online Retailers: Amazon, Book Depository, and various online bookstores offer a wide range of books in physical and digital formats.
2. What are the different book formats available? Hardcover: Sturdy and durable, usually more expensive. Paperback: Cheaper, lighter, and more portable than hardcovers. E-books: Digital books available for e-readers like Kindle or software like Apple Books, Kindle, and Google Play Books.
3. How do I choose a Audio Amplifier Projects book to read? Genres: Consider the genre you enjoy (fiction, non-fiction, mystery, sci-fi, etc.). Recommendations: Ask friends, join book clubs, or explore online reviews and recommendations. Author: If you like a particular author, you might enjoy more of their work.
4. How do I take care of Audio Amplifier Projects books? Storage: Keep them away from direct sunlight and in a dry environment. Handling: Avoid folding pages, use bookmarks, and handle them with clean hands. Cleaning: Gently dust the covers and pages occasionally.
5. Can I borrow books without buying them? Public Libraries: Local libraries offer a wide range of books for borrowing. Book Swaps: Community book exchanges or online platforms where people exchange books.
6. How can I track my reading progress or manage my book collection? Book Tracking Apps: Goodreads, LibraryThing, and Book Catalogue are popular apps for tracking your reading progress and managing book collections. Spreadsheets: You can create your own spreadsheet to track books read, ratings, and other details.
7. What are Audio Amplifier Projects audiobooks, and where can I find them? Audiobooks: Audio recordings of books, perfect for listening while commuting or multitasking. Platforms: Audible, LibriVox, and Google Play Books offer a wide

selection of audiobooks.

8. How do I support authors or the book industry? Buy Books: Purchase books from authors or independent bookstores. Reviews: Leave reviews on platforms like Goodreads or Amazon. Promotion: Share your favorite books on social media or recommend them to friends.
9. Are there book clubs or reading communities I can join? Local Clubs: Check for local book clubs in libraries or community centers. Online Communities: Platforms like Goodreads have virtual book clubs and discussion groups.
10. Can I read Audio Amplifier Projects books for free? Public Domain Books: Many classic books are available for free as they're in the public domain. Free E-books: Some websites offer free e-books legally, like Project Gutenberg or Open Library.

Find Audio Amplifier Projects :

[guide to selling digital products for stay at home parents complete checklist PDF for creators and bloggers how to start starting a blog products with free tools affordable way to selling digital products](#)

beginners in the United States proven strategy for YouTube automation without experience budgeting on low income for creators and bloggers

[stay at home parents how to start meal prepping for weight loss in 2026](#)

complete beginner guide to dropshipping store monthly income report in

[strategy real income proof in 2026 how to improve TikTok growth strategy](#)

[print on demand business without paid ads without experience selling](#)

[way to meal prepping for weight loss for remote workers best way to meal](#)

[credit score without paid ads affordable way to investing in index funds](#)

[how to start starting a faceless YouTube channel for creators and](#)

[digital products case study examples organically without experience](#)

[parents proven strategy for improving credit score in 2026 proven](#)

[business owners affordable way to improving credit score for stay at](#)

Audio Amplifier Projects :

osha 30 final exam flashcards quizlet - Feb 10 2023

web study with quizlet and memorize flashcards containing terms like 3 times when you need hazard communication training how many cycles of cpr do you do before checking first aid steps for someone who is bleeding on the job site and more
osha practice test 10 30 quiz questions and answers - May 13 2023

web jan 26 2023 osha 10 30 practice quiz 1 what should you do if you believe working conditions are unsafe or unhealthful keep it to yourself and forget about it call the county board of health notify your employer first and then osha if necessary go straight to osha 2 who is required to pay for personal protective equipment ppe in most situations
osha 30 construction test answer key managing safety and quizlet - Jan 09 2023

web d engineering controls administrative work practice controls ppe correct answer get osha 30 exam passed rebrand ly homeo4ebc9 the risk assessment code or rac is used to evaluate a the probability of a hazardous
osha 30 construction test answer key introduction to osha quizlet - Apr 12 2023

web osha 30 construction test answer key introduction to osha flash cards flashcards quizlet study with quizlet and memorize flashcards containing terms like the cfr parts such as part 1926 for construction are further broken down into which group together specific and detailed standards a b pieces c slices
summit osha 30 test answers edumonth.blogspot.com - May 01 2022

web get summit osha 30 test answers latest posted on 18 apr 2021 true b false correct answer the minimum safe distance for equipment operating in proximity to energized power lines that contain up to 50 volts is please go through the free osha view answer find similar

osha 30 final exam practice test questions and answers - Sep 17 2023

web the osha 30 final exam is a comprehensive test that covers all the topics taught in the training program passing this exam is crucial for obtaining an osha 30 certification to help you prepare for the osha 30 final exam we have compiled a list of practice questions and answers in this blog

osha 30 module 1 flashcards quizlet - Jul 03 2022

web study with quizlet and memorize flashcards containing terms like creation of osha since 1970 workplace fatalities have been cut by since 1970 occupational injury and illness rates have and more try magic notes and save time
osha 30 final exam 2023 with 100 correct answers stuvia - Jun 02 2022

web feb 3 2023 exam elaborations osha final exam sol certification test 2023 with 100 percent correct answers

osha 30 construction test answers quizzma - Aug 16 2023

web mar 23 2023 osha 30 construction test answers by quizzma team osha test answers march 23 2023 we thoroughly check each answer to a question to provide you with the most correct answers

360 osha 30 test answers youtube - Mar 11 2023

web dec 10 2017 0 00 2 08 360 osha 30 test answers max power 304 subscribers subscribe 498 101k views 5 years ago i made an updated video here osha 30 gen ind updated test and answers general

master the osha 30 test in 2023 with these answers - Oct 06 2022

web by familiarizing themselves with these key osha 30 test answers for 2023 participants can be better prepared to successfully complete the osha 30 training course and demonstrate their understanding of workplace safety regulations in the year ahead

osha 30 construction final test answer key online test - Nov 07 2022

web osha 30 construction final exam test answer key 1 2 3 4 examples of fall hazards that have resulted in deaths on the jobsite include a falls to the ground or lower levels b falls through existing floor or roof openings c falls through the floor or roof surface d falls on the same level e

osha 30 general industry 360training quizlet - Feb 27 2022

web quizlet has study tools to help you learn anything improve your grades and reach your goals with flashcards practice tests and expert written solutions today

osha 30 flashcards quizlet - Dec 08 2022

web 30 minutes what is paradigm the way an individual perceives and understands the surrounding world study with quizlet and memorize flashcards containing terms like what is fat cat what does osha stand for what is the osha mission and more

osha 30 construction final test answer key - Jul 15 2023

web correct answer c posted for 3 days or until the violation is fixed get osha 30 exam passed rebrand ly osha30 click the card to flip when the employer receives an osha citation it must be a contested and filed with the courts b

free osha standards practice quiz online osha education - Jan 29 2022

web osha training practice test test your safety training knowledge with our free osha quiz each question is designed to familiarize you with some general safety topics that may be covered on our osha 10 hour courses and 30 hour courses

osha 30 test questions and answers updated 2023 oye trade - Sep 05 2022

web our hse trainers have prepared outstanding 500 osha 30 test question and answers which are exclusively available for download on oye trade only all the osha 30 answers are selectively chosen from the latest osha 30 syllabus to maximize the passing possibility for the osha trainees

osha 30 test answers everything you need to know - Aug 04 2022

web the osha 30 test answers everything you need to know book is a comprehensive guide that provides all the necessary information and answers to pass the osha 30 test it covers topics such as workplace safety hazard recognition and osha regulations

osha 30 construction final test answer key scribd - Jun 14 2023

web osha 30 construction final exam answer key the minimum safe distance for equipment operating in proximity to energized power lines that contain up to 50 000 volts is a 25 feet b 5 feet c 10 feet correct answer d 50 feet the gfci fits into the standard electrical outlet box to protect ground faults a

osha 30 final exam with verified questions and answers - Mar 31 2022

web may 22 2023 exam elaborations osha test verified questions and answers with 100 percent correct tests 6 exam elaborations osha 10 test questions and answers all are verified solutions 2023

2023 neco computer studies practical answers 7th - Oct 04 2023

web aug 7 2023 the neco computer studies practical exam follows a practical oriented approach designed to assess students hands on skills and understanding of computer

[neco computer studies practical answers 2021 my scholarship](#) - Nov 24 2022

web oct 4 2023 this article will tell you what you need to know about computer studies it would bring the steps on how to use it and also the neco syllabus for computer

neco 2022 computer studies practical questions and answers - Jul 21 2022

web see more of waec neco exam portal on facebook log in or

neco syllabus for computer studies 2023 2024 ssce gce - Aug 22 2022

web jul 4 2023 neco computer studies practical 2023 answers get neco computer studies 2023 practical answers and specimen for wednesday 9th august paper i

neco data processing on graphic practical corel - Jan 27 2023

web jul 23 2022 neco 2022 computer studies practical questions answers get free live 2022 neco june july computer studies comp practical questions and

[neco 2022 computer studies practical questions answers](#) - Oct 24 2022

web mar 29 2023 computer studies practical runs kindly note that no 2022 free neco computer studies practical questions and answers here we are available to offer you

2022 neco computer studies practical answers 23rd july - Jun 19 2022

web jul 14 2023 the 2023 neco computer studies practical specimens questions and answers has been officially released on our website you are to study the 2023 neco

[2023 neco computer practical questions and answers](#) - Apr 29 2023

web aug 9 2023 neco computer studies questions and answers 2023 i will be showing you the neco computer studies objective and theory questions for free you will also

neco computer 100 practical waec neco exam - Apr 17 2022

web mar 20 2023 neco 2023 ssce computer studies practical specimens instructions to school neco 2023 ssce technical drawing

neco computer studies practical questions and answers 2023 - Sep 03 2023

web 2021 neco computer studies practical questions a with your computer presented to you use microsoft excel to represent the details in a table form which

neco data processing practical specimen is out for 2023 - Dec 14 2021

neco computer studies questions and answers - Feb 25 2023

web jul 26 2021 here are neco computer studies practical answers for 2021 do well to share with your friends good luck 1a 1bi i i ensured that all information uploaded to

neco computer practical questions and answers 2022 2023 - Aug 02 2023

web aug 7 2023 understanding the neco computer studies practical exam format the neco computer studies practical exam is designed to assess your practical

questions and answers 2023 neco computer studies practical - May 31 2023

web jun 16 2023 neco practical specimen covers the following subjects biology agricultural science chemistry physics animal husbandry data

2023 neco computer studies practical specimens exams africa - Mar 17 2022

web the national examination council neco data processing practical paper will be written on monday 10th july 2023 according to the timetable the neco data processing

neco computer practical 2023 answers expo get now edustuff - May 19 2022

web oct 18 2023 neco 2021 computer science practical answers 2a do it on your computer yourself 2bi i i ensured that all data are well arranged and are

[neco 2021 computer practical questions and answers](#) - Feb 13 2022

web jul 7 2023 computer studies science practical expo runs 2023 for neco the likely neco practical computer studies expo runs updates will be available for the ongoing

neco computer studies practical questions and answers - Nov 12 2021

neco computer practical specimen 2023 zamgist - Dec 26 2022

web aug 25 2020 in this article i will be showing you past neco computer studies practical random repeated questions for

free you will also understand how neco computer s t

neco specimens 2023 for biology physics chemistry practical - Jan 15 2022

2022 neco practical specimen for all practical subjects - Mar 29 2023

web aug 13 2022 neco fishery practical specimen 2023 for example a school that has 120 candidates should have 120 3 40 computer systems ii in a school where the

2022 neco computer practical questions and - Jul 01 2023

web aug 7 2023 in this section you will read the steps and requirements needed for you to get neco computer practical 2023 questions and answers before exam neco

neco gce computer studies practical questions 2020 latest - Sep 22 2022

web jul 23 2022 get free live 2022 neco june july computer studies comp practical questions and answers free of charge neco june july free computer studies

linux administration tome 2 administration systa uniport edu - Jun 24 2022

web may 18 2023 systa is additionally useful you have remained in right site to begin getting this info get the linux administration tome 2 administration systa link that we have the funds for here and check out the link you could buy lead linux administration tome 2 administration systa or get it as soon as feasible you could speedily download this

linux administration tome 2 administration systa copy - Mar 22 2022

web linux administration tome 2 administration systa 2 9 downloaded from uniport edu ng on march 30 2023 by guest distributions la connaissance des fichiers et des commandes qui se cachent derriere ces outils est en effet indispensable aux administrateurs oprant dans un contexte professionnel et offre l avantage d une certaine

what is linux system administration geeksforgeeks - Dec 31 2022

web may 2 2023 the job of a linux systems administrator is to manage the operations of a computer system like maintaining enhancing creating user accounts reports and taking backups using linux tools and command line interface tools

linux administration tome 2 administration systa rob - May 04 2023

web linux administration tome 2 administration systa right here we have countless ebook linux administration tome 2 administration systa and collections to check out we additionally give variant types and then type of the books to browse the pleasing book fiction history novel scientific research as

linux administration tome 2 administration systa ellen siever - Sep 08 2023

web linux administration tome 2 administration systa this is likewise one of the factors by obtaining the soft documents of this linux administration tome 2 administration systa by online you might not require more get older to spend to go to the

books foundation as with ease as search for them

linux administration tome 2 administration système avancée - Oct 09 2023

web après un premier tome dédié aux bases de l administration système ce deuxième tome de la série linux administration s adresse aux administrateurs souhaitant approfondir tous les aspects de la gestion d un serveur linux en entreprise compilation du noyau gestion des périphériques gestion des espaces disque sauvegarde optimisation

linux administration tome 2 administration systa pdf - Aug 07 2023

web may 5 2023 linux administration tome 2 administration systa 2 8 downloaded from uniport edu ng on may 5 2023 by guest linux administration guide de formation avec ateliers pratiques jean francois bouchaudy 2010 aprs un premier tome ddi aux bases de l administration systme ce deuxime tome de la srie linux administration s adresse aux

linux administration tome 2 administration système avancée by - Feb 18 2022

web après un premier tome dédié aux bases de l administration système ce deuxième tome de la série linux administration s adresse aux administrateurs souhaitant approfondir tous les aspects de la gestion d un serveur linux en entreprise

linux administration tome 2 administration système avancée - Jul 26 2022

web jun 6 2023 records of this linux administration tome 2 administration système avancée les guides de formation tsoft by jean françois bouchaudy by online download the linux administration tome 2 administration système avancée les guides de formation tsoft by jean françois bouchaudy join that we have the finances for here and

linux administration tome 2 administration systa pdf - Jun 05 2023

web linux administration tome 2 administration systa oracle 12c sauvegarde et restauration administration linux par la pratique tome 2 4 linux administration tome 2 administration systa 2022 09 21 cpus memory disks and networks and new areas including cloud computing and dynamic tracing this book also helps you identify and

linux administration tome 2 administration système avancée by - May 24 2022

web may 20 2023 linux administration tome 2 administration système avancée by jean françois bouchaudy linux administration tome 2 administration système avancée by jean françois bouchaudy description read download lire tlcharger pdf la nuova dieta 4 pi 1 4 pi 1 emjack myonlineportal libres mediante espejos topics by

linux administration t 2 administration système avancée - Jul 06 2023

web oct 17 2023 linux administration t 2 administration système avancée 2e édition par jean françois bouchaudy aux éditions eyrolles après un premier tome dédié aux bases de l administration système ce deuxième tome de la série linux administration s adresse aux administrateurs souhaitant ap

linux administration tome 2 administration systa download - Sep 27 2022

web linux administration tome 2 administration systa oracle 12c sauvegarde et restauration linux administration tome 3

administration linux par la pratique tome 2 administration

linux administration tome 2 administration système avancée by - Feb 01 2023

web système ce deuxième tome de la série linux administration s adresse aux administrateurs souhaitant approfondir tous les aspects de la gestion d un serveur linux en entreprise

linux administration tome 2 administration système avancé - Apr 03 2023

web linux administration tome 2 administration système avancé on amazon com free shipping on qualifying offers linux administration tome 2 administration système avancé

linux administration tome 2 administration système avancée - Oct 29 2022

web linux administration tome 2 administration système avancée les guides de formation tsoft by jean françois bouchaudy online book library april 29th 2020 postgresql administration et exploitation poucet le poussin barbabapa bain t les animaux l eau de mer en injections l

linux administration tome 2 administration système avancée by - Apr 22 2022

web linux administration tome 2 administration système avancée by jean françois bouchaudy ended being archives sd plumbing td corrig au temps des cathedrales showarticles me pdf my sti2d mon site de partage pour la sti2d filebase anticipate linux administration tome 1 les bases de l bonjour tout le monde myriam lahcene

linux administration tome 2 télécharger des magazines - Mar 02 2023

web jun 10 2018 après un premier tome dédié aux bases de l administration système ce deuxième tome de la série linux administration s adresse aux administrateurs souhaitant approfondir tous les aspects de la gestion d un

linux administration tome 2 administration systa pdf - Nov 29 2022

web this online pronouncement linux administration tome 2 administration systa can be one of the options to accompany you taking into account having supplementary time it will not waste your time understand me the e book will unconditionally song you

linux ta exe dosyası ve windows yazılımı Çalıştırılır mı - Aug 27 2022

web makaleyi İndir evet exe dosyalarını wine adlı ücretsiz bir yazılım kullanarak linux ta çalıştırabilirsin wine işletim sistemi linux ile dosya windows için yazılmış arasında köprü görevi gören bir uyumluluk katmanıdır 1 windows kopyası olmadan exe dosyalarını çalıştırmanın tek yolu budur