

5 m

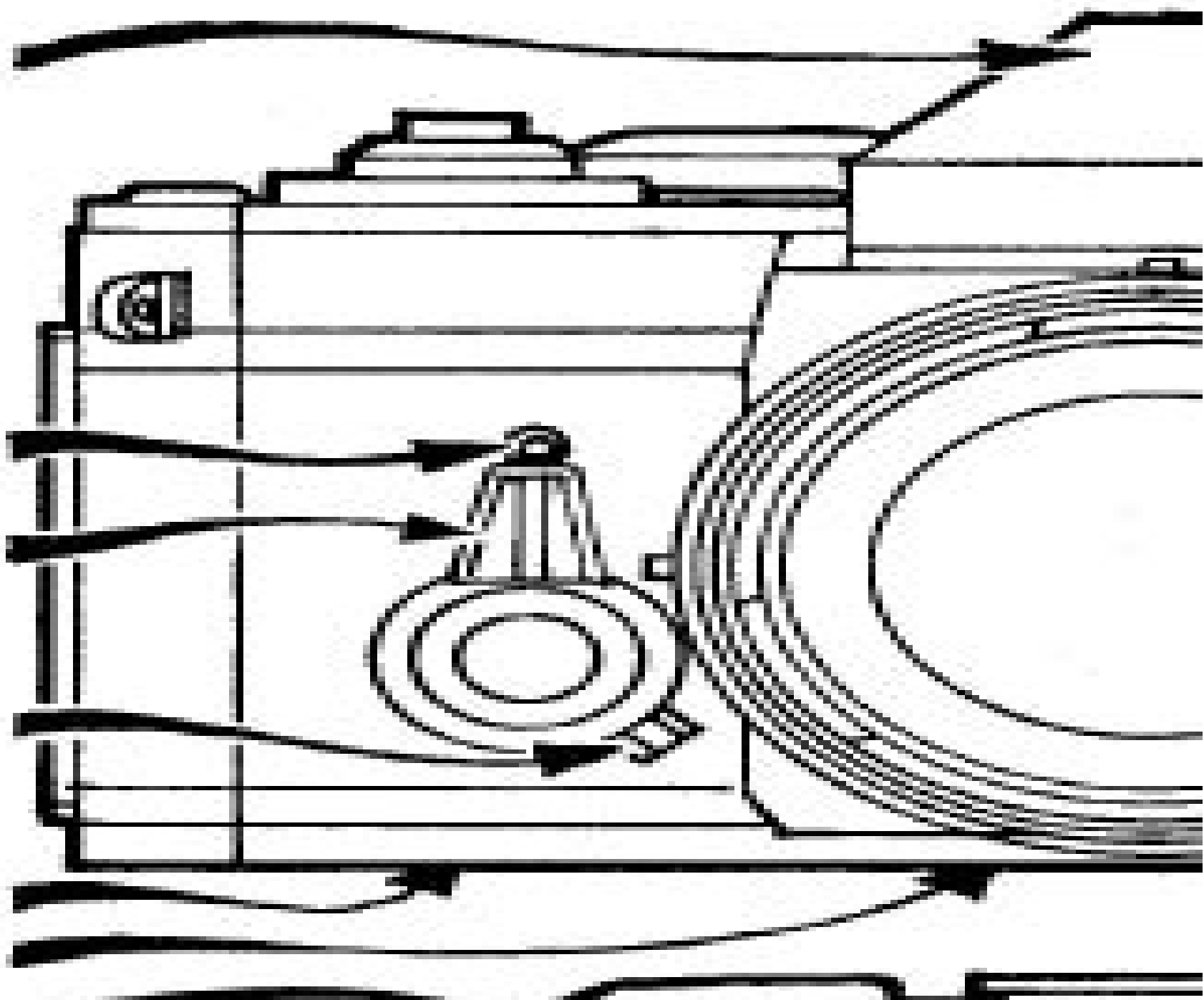
back

nose
over

over

ion

ket



Canon Reflex Guide

Terry C. Jones



Canon Reflex Guide:

Right here, we have countless ebook **Canon Reflex Guide** and collections to check out. We additionally provide variant types and furthermore type of the books to browse. The enjoyable book, fiction, history, novel, scientific research, as competently as various extra sorts of books are readily reachable here.

As this Canon Reflex Guide, it ends up inborn one of the favored books Canon Reflex Guide collections that we have. This is why you remain in the best website to see the incredible book to have.

https://www.cruiselady.com/files/detail/fetch.php/Audio_Cd_real_Estate_Principles_And_Real_Estate_Intro_To_Pr.pdf

Table of Contents Canon Reflex Guide

1. Understanding the eBook Canon Reflex Guide
 - The Rise of Digital Reading Canon Reflex Guide
 - Advantages of eBooks Over Traditional Books
2. Identifying Canon Reflex Guide
 - Exploring Different Genres
 - Considering Fiction vs. Non-Fiction
 - Determining Your Reading Goals
3. Choosing the Right eBook Platform
 - Popular eBook Platforms
 - Features to Look for in an Canon Reflex Guide
 - User-Friendly Interface
4. Exploring eBook Recommendations from Canon Reflex Guide
 - Personalized Recommendations
 - Canon Reflex Guide User Reviews and Ratings
 - Canon Reflex Guide and Bestseller Lists
5. Accessing Canon Reflex Guide Free and Paid eBooks
 - Canon Reflex Guide Public Domain eBooks

- Canon Reflex Guide eBook Subscription Services
- Canon Reflex Guide Budget-Friendly Options
- 6. Navigating Canon Reflex Guide eBook Formats
 - ePub, PDF, MOBI, and More
 - Canon Reflex Guide Compatibility with Devices
 - Canon Reflex Guide Enhanced eBook Features
- 7. Enhancing Your Reading Experience
 - Adjustable Fonts and Text Sizes of Canon Reflex Guide
 - Highlighting and Note-Taking Canon Reflex Guide
 - Interactive Elements Canon Reflex Guide
- 8. Staying Engaged with Canon Reflex Guide
 - Joining Online Reading Communities
 - Participating in Virtual Book Clubs
 - Following Authors and Publishers Canon Reflex Guide
- 9. Balancing eBooks and Physical Books Canon Reflex Guide
 - Benefits of a Digital Library
 - Creating a Diverse Reading Collection Canon Reflex Guide
- 10. Overcoming Reading Challenges
 - Dealing with Digital Eye Strain
 - Minimizing Distractions
 - Managing Screen Time
- 11. Cultivating a Reading Routine Canon Reflex Guide
 - Setting Reading Goals Canon Reflex Guide
 - Carving Out Dedicated Reading Time
- 12. Sourcing Reliable Information of Canon Reflex Guide
 - Fact-Checking eBook Content of Canon Reflex Guide
 - Distinguishing Credible Sources
- 13. Promoting Lifelong Learning
 - Utilizing eBooks for Skill Development
 - Exploring Educational eBooks

14. Embracing eBook Trends

- Integration of Multimedia Elements
- Interactive and Gamified eBooks

Canon Reflex Guide Introduction

In the digital age, access to information has become easier than ever before. The ability to download Canon Reflex Guide has revolutionized the way we consume written content. Whether you are a student looking for course material, an avid reader searching for your next favorite book, or a professional seeking research papers, the option to download Canon Reflex Guide has opened up a world of possibilities. Downloading Canon Reflex Guide provides numerous advantages over physical copies of books and documents. Firstly, it is incredibly convenient. Gone are the days of carrying around heavy textbooks or bulky folders filled with papers. With the click of a button, you can gain immediate access to valuable resources on any device. This convenience allows for efficient studying, researching, and reading on the go. Moreover, the cost-effective nature of downloading Canon Reflex Guide has democratized knowledge. Traditional books and academic journals can be expensive, making it difficult for individuals with limited financial resources to access information. By offering free PDF downloads, publishers and authors are enabling a wider audience to benefit from their work. This inclusivity promotes equal opportunities for learning and personal growth. There are numerous websites and platforms where individuals can download Canon Reflex Guide. These websites range from academic databases offering research papers and journals to online libraries with an expansive collection of books from various genres. Many authors and publishers also upload their work to specific websites, granting readers access to their content without any charge. These platforms not only provide access to existing literature but also serve as an excellent platform for undiscovered authors to share their work with the world. However, it is essential to be cautious while downloading Canon Reflex Guide. Some websites may offer pirated or illegally obtained copies of copyrighted material. Engaging in such activities not only violates copyright laws but also undermines the efforts of authors, publishers, and researchers. To ensure ethical downloading, it is advisable to utilize reputable websites that prioritize the legal distribution of content. When downloading Canon Reflex Guide, users should also consider the potential security risks associated with online platforms. Malicious actors may exploit vulnerabilities in unprotected websites to distribute malware or steal personal information. To protect themselves, individuals should ensure their devices have reliable antivirus software installed and validate the legitimacy of the websites they are downloading from. In conclusion, the ability to download Canon Reflex Guide has transformed the way we access information. With the convenience, cost-effectiveness, and accessibility it offers, free PDF downloads have become a popular choice for students, researchers, and book lovers worldwide. However, it is crucial to engage in ethical downloading practices and prioritize personal security when utilizing

online platforms. By doing so, individuals can make the most of the vast array of free PDF resources available and embark on a journey of continuous learning and intellectual growth.

FAQs About Canon Reflex Guide Books

How do I know which eBook platform is the best for me? Finding the best eBook platform depends on your reading preferences and device compatibility. Research different platforms, read user reviews, and explore their features before making a choice. Are free eBooks of good quality? Yes, many reputable platforms offer high-quality free eBooks, including classics and public domain works. However, make sure to verify the source to ensure the eBook credibility. Can I read eBooks without an eReader? Absolutely! Most eBook platforms offer web-based readers or mobile apps that allow you to read eBooks on your computer, tablet, or smartphone. How do I avoid digital eye strain while reading eBooks? To prevent digital eye strain, take regular breaks, adjust the font size and background color, and ensure proper lighting while reading eBooks. What the advantage of interactive eBooks? Interactive eBooks incorporate multimedia elements, quizzes, and activities, enhancing the reader engagement and providing a more immersive learning experience. Canon Reflex Guide is one of the best book in our library for free trial. We provide copy of Canon Reflex Guide in digital format, so the resources that you find are reliable. There are also many Ebooks of related with Canon Reflex Guide. Where to download Canon Reflex Guide online for free? Are you looking for Canon Reflex Guide PDF? This is definitely going to save you time and cash in something you should think about.

Find Canon Reflex Guide :

audio cd-real estate principles and real estate intro to pr

atonement murder the

aunt agony advises problem pages through the ages

auditory disorders in children

au pays des canyons

augustus john the new biography part 2 of 2

au chateau de sam lord

aureole an erotic sequence

atomic and molecular spectroscopy basic aspects and practical applications

[auriol or the elixir of life](#)

atlas umgeformter metallischer oberflach

[atoms molecules quanta 2nd edition volume 1](#)

atrocities on scheduled castes and scheduled tribes prevention and implementation

[atlas of the pacific northwest 3ed](#)

[august frost](#)

Canon Reflex Guide :

solutions upper intermediate progress test answer key - Dec 26 2021

solutions intermediate progress test unit 6 answer key fill - Apr 29 2022

web jan 3 2021 the average score of singapore students was 38 35 points higher than the global average of 29 81 the ib organisation which conducts the exams said that there

progress tests intermediate pdf scribd - Dec 06 2022

web progress test answer keys a unit 1 grammar 1 1 did you go 2 stayed 3 wanted 4 forgot 5 weren t 6 went 2 1 fell over broke his arm 2 didn t go to school he watched dvds all day

[straightforward upper intermediate progress test 1 answer key](#) - Nov 05 2022

web progress test 1a units 1 4 name 1 choose the correct answers 5 points do you belong to with any societies 1 john is very unsociable unpredictable you never

ef3e int progresstest 1 5 answerkey pdf pdf - Oct 16 2023

web solutions third edition intermediate tests 13 progress test answer keys a sol3e int progress test answer keys a pdf free download as pdf file pdf text

[english file teacher s site oxford university press](#) - Mar 09 2023

web progress tests intermediate free download as pdf file pdf or read online for free intermediate progress tests intermediate progress tests photocopy one test

navigate teacher s site teaching resources oxford university - Feb 08 2023

web straightforward upper intermediate progress test 1 answer key vocabulary a 1 obsessed with 2 looks 3 gets upset 4 aggressive 5 the thing is 6 to begin with 7 look

tests oxford practice grammar oxford university press - Aug 14 2023

web intermediate plus progress test files 1 5 answer key b listening and speaking listening 1 1 c 2 b 3 a 4 c 5 c 2 1 c 2 f 3 d 4

a 5 e speaking interactive

progress test answer keys a unit 1 grammar pdf scribd - Sep 15 2023

web oxford practice grammar intermediate tests download the tests and answer key for oxford practice grammar intermediate tests pdf 870kb tests answer key pdf

tests answer key test generator launcher - Jan 07 2023

web progress test answer keys unit 1 work skills 1 1 what do you do grammar 2 who do you work for 1 1 does start doesn't start 3 what type of company is it 2 do speak

solutions pre intermediate progress test answer key pdf - Nov 24 2021

business result pre intermediate progress test with answer - Feb 25 2022

web fill solutions pre intermediate progress test answer key edit online sign fax and printable from pc ipad tablet or mobile with pdf filler instantly try now

oxford solutions intermediate oxford solutions - Jun 12 2023

web english file answer keys for student's books teacher's guides complete support for every lesson including lesson plans photocopyables and extra ideas to make each lesson your

solutions intermediate progress test unit 6 answer key pdf - Jul 01 2022

web straightforward pre intermediate progress test 4 answer key 1 listening part 1 1i 2b 3h 4g 5a part 2 6c 7b 8a 9a 10 b reading part 1 1c 2f 3e 4a 5d part 2 6c 7a 8b 9b 10 a

oxford solutions intermediate oxford solutions intermediate - May 31 2022

web jun 10 2021 pre intermediate progress test with answer key pdf sciarium files higher education and science languages and linguistics english language business

progress test answer keys pdf economies business scribd - Oct 04 2022

web the test typically covers various aspects of the course including grammar vocabulary reading writing listening and speaking by evaluating students performance on the

straightforward pre intermediate progress test 4 answer key - Mar 29 2022

web 2 solutions upper intermediate progress test answer key 2023 09 28 and the review sections at the back of the books allow students and their teachers to keep track of their

singapore january ibdp 2021 results whichschooladvisor com - Jan 27 2022

english unlimited intermediate progress tests - May 11 2023

web download the navigate coursebook answer keys to use in your lessons test content from teacher s resource discs end of course progress unit speaking and writing tests for

new success intermediate progress test 1a documents and e - Aug 02 2022

web make these quick steps to edit the pdf solutions intermediate progress test unit 6 answer key online for free sign up and log in to your account sign in to the editor using

oxford solutions pre int progress tests answer keys a pdf - Sep 03 2022

web jun 29 2021 oxford solutions intermediate tests 3 progress test answer keys a 3 listening 1 2 3 4 her leg will get better faster if she takes it i will be sleeping then you

grammar vocabulary and pronunciation grammar 4 1 5 2 - Jul 13 2023

web oxford solutions intermediate oxford solutions intermediate progress test answer key b free download as pdf file pdf text file txt or read online for free oxford

solutions intermediate progress test a klucz odpowiedzi - Apr 10 2023

web grammar a 1 could you tell me who your favourite actor is 2 do you think you could show me it on the map 3 do you know where i can find a good restaurant 4 why

optique clinique by american academy of ophthalmology aao - Jul 14 2023

web optique clinique est le cinquième ouvrage traduit et adapté en français de la prestigieuse collection basic and clinical science course bcsc née des travaux de l american academy of ophthalmology aao

chirurgie réfractive à lyon découvrez la clinique optical center - Nov 06 2022

web la clinique optical center optical center vous accompagne toujours plus loin dans votre vue 20 rue childebert 1ère Étage à lyon 04 72 04 92 92 bien voir sans lentilles de contact ou sans lunettes est aujourd hui possible quelle que soit votre correction avec la chirurgie réfractive

clinique modelleri fiyatları clinique Ürünleri morhipo - May 12 2023

web clinique modellerini size özel fırsatlarla online olarak hemen satın alın clinique ürünleri cazip indirimlerle morhipo da

clinique cilt bakım Ürünleri ve makyaj malzemeleri sephora - Jan 08 2023

web huda beauty 1 coat wow maskara dermatologların oluşturduğu dünyadaki ilk marka olan clinique cildinizde gözle görülür sonuçlar elde etmeniz için basit etkili ve güvenli ürünler sunar paraben ve ftalat içermeyen kokusuz formüller ciltte tahriş yapmadan maksimum sonuçlar garanti edecek şekilde tasarlanmıştır

optique clinique hors collection amazon com tr - Sep 04 2022

web optique clinique hors collection albou ganem catherine elsevier masson amazon com tr kitap

clinique makyaj parfüm cilt bakımı - Mar 10 2023

web her cilt tipine uygun alerji testi yapılmış clinique cilt bakım makyaj malzemesi ve parfümlerini hemen keşfedin clinique ürünlerini incelemek satın almak için tıklayın

optique clinic lusaka facebook - Dec 27 2021

web optique clinic lusaka zambia 469 likes 1 talking about this boutique optometrists eye health care

optique clinique american academy of ophthalmology aao - Jun 13 2023

web feb 17 2015 optique clinique est le cinquième ouvrage traduit et adapté en français de la prestigieuse collection basic and clinical science course bcsc née des travaux de l american academy of ophthalmology aao

optique clinique livre 9782294744099 elsevier masson sas - Apr 11 2023

web 1 optique géométrique 2 optique de l oeil humain 3 réfraction clinique 4 les lentilles de contact 5 implants intraoculaires 6 considérations optiques en chirurgie kératoréfractive 7 instruments d optique et aides visuelles 8 optique physique

ophthalmologues cliniques à istanbul turquie prix avis - Aug 15 2023

web consulter le meilleur ophtalmologue à istanbul prix cliniques turquie santé vous permet de contacter les meilleurs chirurgiens oculistes dans les cliniques et les hôpitaux turcs vous pouvez envoyer votre demande à plusieurs cliniques à la fois

optique clinique traduction anglaise linguee - Mar 30 2022

web de très nombreux exemples de phrases traduites contenant optique clinique dictionnaire anglais français et moteur de recherche de traductions anglaises

trouver une clinique centre oculaire visique - Jun 01 2022

web contactez une clinique visique près de chez vous pour découvrir notre sélection de lunettes et en savoir plus sur nos examens de la vue et autres services

optique clinique french edition original pdf from publisher - Jul 02 2022

web optique clinique est le cinquième ouvrage traduit et adapté en français de la prestigieuse collection basic and clinical science course bcsc née des travaux de l american academy of ophthalmology aao

optique clinique by american academy of ophthalmology goodreads - Oct 05 2022

web feb 17 2015 american academy of ophthalmology société française d ophtalmologie catherine albou ganem optique clinique est le cinquième ouvrage traduit et adapté en français de la prestigieuse collection basic and clinical science course bcsc née des travaux de l american academy of ophthalmology aao

about optique clinic - Jan 28 2022

web about us we d like to take the opportunity to introduce to you optique clinic an eye health centre optical store based in kabulonga lusaka our services are provided by a uk qualified optometrist a team of dedicated technically trained staff our

optometrist has years of experience in the uk where she has worked in a wide range of
[neurophysiologie dans une optique clinique elsevier](#) - Feb 09 2023

web le manuel neurophysiologie expose les connaissances actuelles dans une optique clinique en 6 parties neurones
 régulations endogènes systèmes sensoriels système moteur dynamique des activités cérébrales et fonctions supérieures voir
 la liste de tous les chapitres table des matières

[optik dünyası](#) - Dec 07 2022

web 20 yıllık tecrübesi ile optik dünyası dünya markalarını türkiye ye taşımaya devam etmektedir türkiye de yeniliğe aç
[optique clinique 9782294744099 9782294747656 vitalsource](#) - Apr 30 2022

web optique clinique is written by catherine ganem albou and published by elsevier masson the digital and etextbook isbn's
 for optique clinique are 9782294747656 2294747658 and the print isbn's are 9782294744099 2294744098 save up to 80
 versus print by going digital with vitalsource

[meilleurs spécialistes des yeux en turquie top 10 des](#) - Aug 03 2022

web ophtalmologue istanbul turquie le dr Ömer kamil doğan est un ophtalmologiste avec plus de 35 ans de l expérience ses
 intérêts cliniques comprennent l examen général des yeux la chirurgie de la cataracte le glaucome les maladies cornéennes
 les maladies conjonctivales et la greffe de cornée

[tecnologias opticas et optometria clinica tech espana](#) - Feb 26 2022

web découvrez les dernières avancées en technologies optiques et en optométrie clinique grâce à ce mastère tech france

la comunicacion no verbal el libro de bolsillo ci dianna - Jul 14 2023

web as this la comunicacion no verbal el libro de bolsillo ci it ends stirring innate one of the favored book la comunicacion no
 verbal el libro de bolsillo ci collections that we have this is why you remain in the best website to look the incredible books to
 have lev 1999 libros españoles isbn 1981

[comunicación no verbal qué es definición y concepto 2023](#) - Jan 28 2022

web mar 1 2021 la comunicación no verbal es un proceso de comunicación que se manifiesta a través de gestos expresiones
 o movimientos corporales el lenguaje corporal es clave a la hora de llevar a cabo la comunicación no verbal la comunicación
 no verbal tiene como objetivo transmitir un mensaje a través de gestos expresiones faciales o

la comunicacion no verbal el libro de bolsillo ci full pdf ci - Jul 02 2022

web la comunicacion no verbal el libro de bolsillo ci downloaded from ci kubesail com by guest rhys roman el poder del
 lenguaje no verbal del docente comprender e investigar la comunicación pedagógica almuza la postura y el movimiento del
 cuerpo los gestos la expresión del rostro y de la mirada las sensaciones táctiles y olfativas

[amazon es opiniones de clientes la comunicación no verbal el libro de](#) - Jan 08 2023

web vea reseñas y calificaciones de reseñas que otros clientes han escrito de la comunicación no verbal el libro de bolsillo ciencias sociales en amazon com lea reseñas de productos sinceras e imparciales de nuestros usuarios

la comunicacion no verbal el libro de bolsillo ci desmond - Mar 10 2023

web kindly say the la comunicacion no verbal el libro de bolsillo ci is universally compatible with any devices to read el libro español 1982 bodywatching desmond morris 1987 abstracts de teatro 2 imelda lobato 2001 pie de página 1982 inside intuition what we know about non verbal communication flora davis 1973

la comunicacion no verbal el libro de bolsillo ci pdf ftp bonide - Apr 30 2022

web lenguaje corporal guía para la interpretación de la comunicación no verbal lenguaje coroporal comunicación no verbal para atraer la gente al instante el lenguaje corporal de tu hijo

la comunicación no verbal el reseña del libro - Aug 03 2022

web los lectores de la comunicación no verbal el libro de bolsillo ciencias sociales con frecuencia investigan sobre temas relacionados frases de la comunicación no verbal el libro de bolsillo ciencias sociales lenguaje corporal iberlibro davis flora tapa blanda expresión corporal gestos psicología

la comunicación no verbal el libro de bolsillo iberlibro com - Feb 09 2023

web la comunicación no verbal el libro de bolsillo ciencias sociales de davis flora en iberlibro com isbn 10 8420639540 isbn 13 9788420639543 alianza 2004 tapa blanda

la comunicación no verbal el libro de bolsillo amazon es - Aug 15 2023

web flora davis ha hecho un magnífico trabajo de recopilación de las investigaciones que se están desarrollando en relación con el comunicación no verbal el cuerpo la cara los ojos la postura el movimiento el olfato el tacto

la comunicación no verbal uoc - May 12 2023

web 3 nuestro contrato este libro le interesará si quiere saber qué es la comunicación no verbal cómo funciona el ser humano como un todo a través del tándem mente y cuerpo cómo interpretar el lenguaje corporal en nuestra vida cotidiana qué movimientos nos delatan qué partes de nuestro cuerpo son más expresivas cómo podemos saber si

pdf la comunicación no verbal researchgate - Dec 07 2022

web oct 21 2017 4 1 el estudio de la comunicación no verbal para su aplicación a la enseñanza de lenguas hace ya más de dos décadas que se han comenzado a elaborar in ventarios comparativos con objeto de

la comunicacion no verbal el libro de bolsillo ci ci kubesail - Jun 13 2023

web lenguaje corporal dominio de la comunicación no verbal guía lenguaje corporal efectivo domina los secretos de la comunicación no verbal y aprende cómo analizar los gestos de las personas

la comunicacion no verbal pasta blanda 3 marzo 2011 - Sep 04 2022

web flora davis ha hecho un magnífico trabajo de recopilación de las investigaciones que se están desarrollando en relación con el comunicación no verbal el cuerpo la cara los ojos la postura el movimiento el olfato el tacto lo resume de forma excelente ágil pero sin perder la esencia de cada investigación

comunicación verbal iberlibro - Jun 01 2022

web a falta de un nombre más adecuado se la denomina comunicación no verbal su estudio reclama la atención de psicólogos antropólogos estudiosos de la comunicación sociólogos etc y su ver más más opciones de compra de otros vendedores en iberlibro nuevo desde eur 54 19

la comunicación no verbal el libro de bolsillo amazon es - Apr 11 2023

web la comunicación no verbal el libro de bolsillo ciencias sociales de davis flora 2010 tapa blanda amazon es libros

comunicación no verbal concepto características y ejemplos - Mar 30 2022

web ejemplos de comunicación no verbal el contacto visual es parte de la comunicación no verbal algunos ejemplos de comunicación no verbal pueden ser un turista viaja a china y decide comprar comida callejera como no habla el idioma le señala al vendedor el producto que quiere y le enseña dos dedos extendidos el índice y el anular

lacomunicacionnoverbalellibrodebolsilloci ssh medtomarket - Dec 27 2021

web la comunicación no verbal nineteen eighty four inside intuition what we know about non verbal communication

bodywatching libros españoles en venta el lenguaje de los animales libros de los estados unidos traducidos al idioma español enciclopedia universal ilustrada europeo americana anthropos body language pocket pediatrics

la comunicación no verbal el libro de bolsillo ciencias sociales - Nov 06 2022

web la comunicación no verbal el libro de bolsillo ciencias sociales de davis flora en iberlibro com isbn 10 8420664243 isbn 13 9788420664248 alianza editorial 2010 tapa blanda

la comunicación no verbal flora davis google books - Oct 05 2022

web jun 30 2012 flora davis alianza editorial jun 30 2012 language arts disciplines 312 pages la postura y el movimiento del cuerpo los gestos la expresión del rostro y de la mirada las sensaciones táctiles y olfativas son otros tantos vehículos para la comunicación no verbal de emociones y de información en la presente obra flora

la comunicacion no verbal el libro de bolsillo ci download - Feb 26 2022

web la comunicacion no verbal el libro de bolsillo ci 3 3 verbal babelcube inc un movimiento en falso puede socavar nuestro mensaje lo creamos o no hablamos más con nuestros cuerpos que con nuestras palabras las posturas los gestos y las expresiones transmiten una gran cantidad de información y a menudo no es lo que uno esperaría