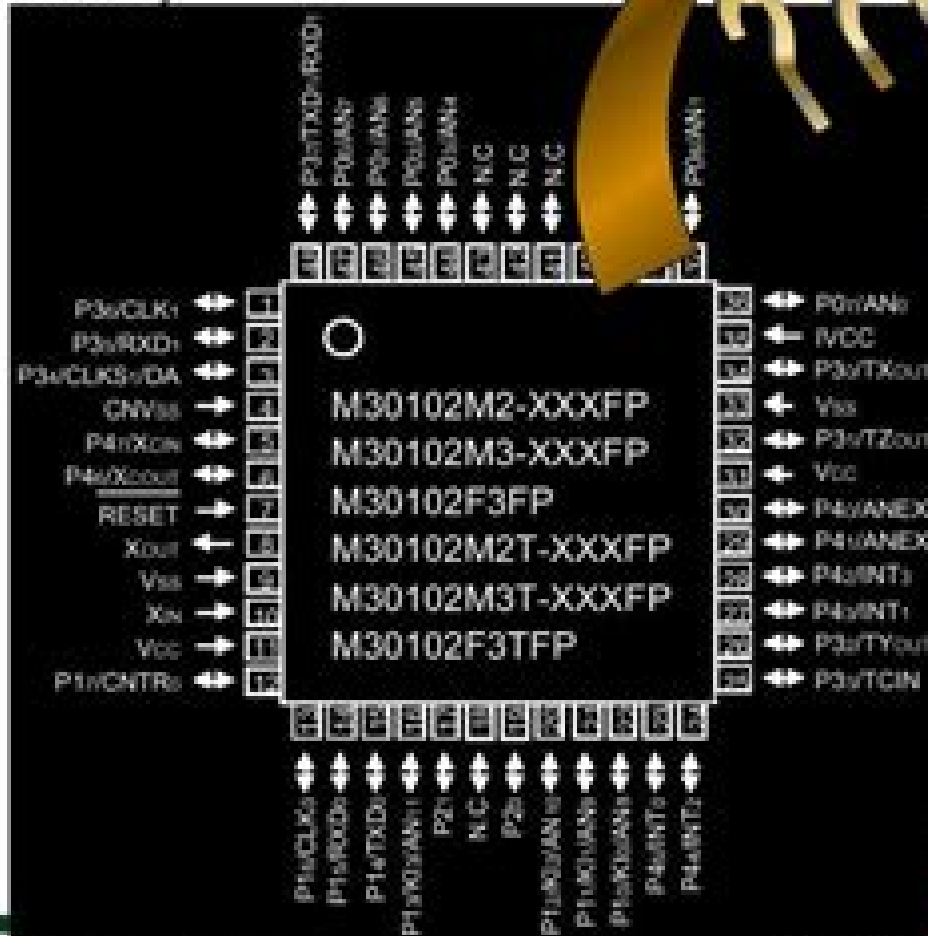


Designing a Microcontroller into a System

Power supply
Clock signal generator
Reset controller
Memory

Digital interfacing
Analog interfacing
Communications



Analog Interfacing To Embedded Microprocessor Systems

Bela G. Liptak



Analog Interfacing To Embedded Microprocessor Systems:

Analog Interfacing to Embedded Microprocessor Systems Stuart R. Ball, 2004 System Design Digital to Analog Converters Sensors Time Based Measurements Output Control Methods Solenoids Relays and Other Analog Outputs Motors EMI High Precision Applications Standard Interfaces

Analog Interfacing to Embedded Microprocessors Stuart R. Ball, 2001

Analog Interfacing to Embedded Microprocessors addresses the technologies and methods used in interfacing analog devices to microprocessors providing in depth coverage of practical control applications op amp examples and much more A companion to the author s popular *Embedded Microprocessor Systems Real World Design* this new embedded systems book focuses on measurement and control of analog quantities in embedded systems that are required to interface to the real world At a time when modern electronic systems are increasingly digital a comprehensive source on interfacing the real world to microprocessors should prove invaluable to embedded systems engineers students technicians and hobbyists Anyone involved in connecting the analog environment to their digital machines or troubleshooting such connections will find this book especially useful Stuart Ball is also the author of *Debugging Embedded Microprocessor Systems* both published by Newnes Additionally Stuart has written articles for periodicals such as *Circuit Cellar* *INK Byte* and *Modern Electronics* Provides hard to find information on interfacing analog devices and technologies to the purely digital world of embedded microprocessors Gives the reader the insight and perspective of a real embedded systems design engineer including tips that only a hands on professional would know Covers important considerations for both hardware and software systems when linking analog and digital devices

Analog Interfacing to Embedded Microprocessor Systems, 2nd Edition Stuart Ball, 2003

Analog Interfacing to Embedded Microprocessors addresses the technologies and methods used in interfacing analog devices to microprocessors providing in depth coverage of practical control applications op amp examples and much more A companion to the author s popular *Embedded Microprocessor Systems Real World Design* this new embedded systems book focuses on measurement and control of analog quantities in embedded systems that are required to interface to the real world At a time when modern electronic systems are increasingly digital a comprehensive source on interfacing the real world to microprocessors should prove invaluable to embedded systems engineers students technicians and hobbyists Anyone involved in connecting the analog environment to their digital machines or troubleshooting such connections will find this book especially useful Stuart Ball is also the author of *Debugging Embedded Microprocessor Systems* both published by Newnes Additionally Stuart has written articles for periodicals such as *Circuit Cellar* *INK Byte* and *Modern Electronics* Provides hard to find information on interfacing analog devices and technologies to the purely digital world of embedded microprocessors Gives the reader the insight and perspective of a real embedded systems design engineer including tips that only a hands on professional would know Covers important considerations for both hardware and software systems when linking analog and digital devices

ARM Microprocessor Systems Muhammad Tahir, Kashif Javed, 2017-02-17 This book

presents the use of a microprocessor based digital system in our daily life Its bottom up approach ensures that all the basic building blocks are covered before the development of a real life system The ultimate goal of the book is to equip students with all the fundamental building blocks as well as their integration allowing them to implement the applications they have dreamed up with minimum effort

Soft Computing Applications Valentina Emilia Balas,Lakhmi C. Jain,Branko Kovačević,2015-11-02 These volumes constitute the Proceedings of the 6th International Workshop on Soft Computing Applications or SOFA 2014 held on 24 26 July 2014 in Timisoara Romania This edition was organized by the University of Belgrade Serbia in conjunction with Romanian Society of Control Engineering and Technical Informatics SRAIT Arad Section The General Association of Engineers in Romania Arad Section Institute of Computer Science Iasi Branch of the Romanian Academy and IEEE Romanian Section The Soft Computing concept was introduced by Lotfi Zadeh in 1991 and serves to highlight the emergence of computing methodologies in which the accent is on exploiting the tolerance for imprecision and uncertainty to achieve tractability robustness and low solution cost Soft computing facilitates the use of fuzzy logic neurocomputing evolutionary computing and probabilistic computing in combination leading to the concept of hybrid intelligent systems The combination of such intelligent systems tools and a large number of applications introduce a need for a synergy of scientific and technological disciplines in order to show the great potential of Soft Computing in all domains The conference papers included in these proceedings published post conference were grouped into the following area of research Image Text and Signal Processing Intelligent Transportation Modeling and Applications Biomedical Applications Neural Network and Applications Knowledge Based Technologies for Web Applications Cloud Computing Security Algorithms and Computer Networks Knowledge Based Technologies Soft Computing Techniques for Time Series Analysis Soft Computing and Fuzzy Logic in Biometrics Fuzzy Applications Theory and Fuzzy Control Business Process Management Methods and Applications in Electrical Engineering The volumes provide useful information to professors researchers and graduated students in area of soft computing techniques and applications as they report new research work on challenging issues

Embedded Systems Interfacing for Engineers using the Freescale HCS08 Microcontroller II Douglas Summerville,2022-05-31 The vast majority of computers in use today are encapsulated within other systems In contrast to general purpose computers that run an endless selection of software these embedded computers are often programmed for a very specific low level and often mundane purpose Low end microcontrollers costing as little as one dollar are often employed by engineers in designs that utilize only a small fraction of the processing capability of the device because it is either more cost effective than selecting an application specific part or because programmability offers custom functionality not otherwise available Embedded Systems Interfacing for Engineers using the Freescale HCS08 Microcontroller is a two part book intended to provide an introduction to hardware and software interfacing for engineers Building from a comprehensive introduction of fundamental computing concepts the book suitable for a first course in computer organization

for electrical or computer engineering students with a minimal background in digital logic and programming In addition this book can be valuable as a reference for engineers new to the Freescale HCS08 family of microcontrollers The HCS08 processor architecture used in the book is relatively simple to learn powerful enough to apply towards a wide range of interfacing tasks and accommodates breadboard prototyping in a laboratory using freely available and low cost tools In Part II Digital and Analog Hardware Interfacing hardware and software interfacing concepts are introduced The emphasis of this work is on good hardware and software engineering design principles Device drivers are developed illustrating the use of general purpose and special purpose digital I O interfaces analog interfaces serial interfaces and real time I O processing The hardware side of each interface is described and electrical specifications and related issues are considered The first part of the book provides the programming skills necessary to implement the software in this part Table of Contents Introduction to the MC9S08QG4 8 Hardware Analog Input Serial Communication Real Time I O Processing Test and Measurement: Know It All Jon S. Wilson, Stuart Ball, Creed Huddleston, Edward Ramsden, Dogan Ibrahim, 2008-09-26 The Newnes Know It All Series takes the best of what our authors have written to create hard working desk references that will be an engineer s first port of call for key information design techniques and rules of thumb Guaranteed not to gather dust on a shelf Field Application engineers need to master a wide area of topics to excel The Test and Measurement Know It All covers every angle including Machine Vision and Inspection Communications Testing Compliance Testing along with Automotive Aerospace and Defense testing A 360 degree view from our best selling authors Topics include the Technology of Test and Measurement Measurement System Types and Instrumentation for Test and Measurement The ultimate hard working desk reference all the essential information techniques and tricks of the trade in one volume **Embedded Systems Interfacing for Engineers Using the Freescale HCS08 Microcontroller II** Douglas H. Sommerville, 2009 Device drivers are developed illustrating the use of general purpose and special purpose digital I O interfaces analog interfaces serial interfaces and real time I O processing The hardware side of each interface is described and electrical specifications and related issues are considered The first part of the book provides the programming skills necessary to implement the software in this part Embedded Microprocessor Systems Design Kenneth L. Short, 1998 Appropriate for undergraduate and beginning graduate level courses on embedded systems or microprocessor based systems design in computer engineering electrical engineering and computer science The basic structure operation and design of embedded systems is presented in a stepwise fashion A balanced treatment of both hardware and software is provided The Intel 80C188EB microprocessor is used as the instructional example Hardware is covered starting from the component level Software development focuses on assembly language The only background required is an introductory course in digital systems design **IEEE Circuits & Devices** ,2006 *Instrument Engineers' Handbook, Volume Two* Bela G. Liptak, 2018-10-08 The latest update to Bela Liptak s acclaimed bible of instrument engineering is now available Retaining the format that made the previous editions bestsellers

in their own right the fourth edition of Process Control and Optimization continues the tradition of providing quick and easy access to highly practical information The authors are practicing engineers not theoretical people from academia and their from the trenches advice has been repeatedly tested in real life applications Expanded coverage includes descriptions of overseas manufacturer s products and concepts model based optimization in control theory new major inventions and innovations in control valves and a full chapter devoted to safety With more than 2000 graphs figures and tables this all inclusive encyclopedic volume replaces an entire library with one authoritative reference The fourth edition brings the content of the previous editions completely up to date incorporates the developments of the last decade and broadens the horizons of the work from an American to a global perspective B la G Lipt k speaks on Post Oil Energy Technology on the AT T Tech Channel

Embedded Microprocessor Systems Stuart R. Ball,2000 Embedded Microprocessor Systems is an introduction to the design of embedded microprocessor systems from the initial concept through debugging the final result Unlike many books on the market Embedded Microprocessor Systems is not limited to describing any specific processor family but covers the operation of and interfaces to several types of processors with an emphasis on cost and design tradeoffs Included throughout the book are numerous examples tips and pitfalls you can only learn from an experienced designer Not only will you find out how to implement faster and better design processes but also how to avoid time consuming and expensive mistakes The author s many years of experience in industry have given him an extremely practical approach to design realities and problems He describes the entire process of designing circuits and the software that controls them assessing the system requirements as well as testing and debugging systems The less experienced engineer will be able to apply Ball s advice to everyday projects and challenges immediately with amazing results As an added bonus to this new edition the author has included a chapter on advanced concepts and appendices of interest to students and beginners

Embedded Microprocessor Systems is an introduction to the design of embedded microprocessor systems from the initial concept through debugging the final result Unlike many books on the market Embedded Microprocessor Systems is not limited to describing any specific processor family but covers the operation of and interfaces to several types of processors with an emphasis on cost and design tradeoffs Included throughout the book are numerous examples tips and pitfalls you can only learn from an experienced designer Not only will you find out how to implement faster and better design processes but also how to avoid time consuming and expensive mistakes The author s many years of experience in industry have given him an extremely practical approach to design realities and problems He describes the entire process of designing circuits and the software that controls them assessing the system requirements as well as testing and debugging systems The less experienced engineer will be able to apply Ball s advice to everyday projects and challenges immediately with amazing results As an added bonus to this new edition the author has included a chapter on advanced concepts and appendices of interest to students and beginners Revised and expanded by the original author Covers both hardware and software for a

variety of embedded systems A clear comprehensive introduction to the subject with real world examples **Embedded
Microcomputer Systems** Jonathan W. Valvano,2007 Yopu will find the simulator in the CD that accompanies this book p v
 Micro-electro-mechanical System (MEMS) for Insect Force Measurement System Li Chun Chiu,2004 **Curriculum
Handbook with General Information Concerning ... for the United States Air Force Academy** United States Air Force
Academy,1988 *The British National Bibliography* Arthur James Wells,2005 **Proceedings** Frontiers in Education
Conference,1991 **American Book Publishing Record** ,2004 **Electronic Design** ,2002 **Proceedings of the
Seventh International Workshop on Hardware/Software Codesign (CODES'99)** Association for Computing
Machinery,1999

Discover tales of courage and bravery in Explore Bravery with is empowering ebook, Stories of Fearlessness: **Analog Interfacing To Embedded Microprocessor Systems** . In a downloadable PDF format (*), this collection inspires and motivates. Download now to witness the indomitable spirit of those who dared to be brave.

<https://www.cruiselady.com/files/book-search/HomePages/Blog%20Real%20Income%20Proof%20In%202026%20Proven%20Strategy%20For%20Starting%20A%20Blog.pdf>

Table of Contents Analog Interfacing To Embedded Microprocessor Systems

1. Understanding the eBook Analog Interfacing To Embedded Microprocessor Systems
 - The Rise of Digital Reading Analog Interfacing To Embedded Microprocessor Systems
 - Advantages of eBooks Over Traditional Books
2. Identifying Analog Interfacing To Embedded Microprocessor Systems
 - Exploring Different Genres
 - Considering Fiction vs. Non-Fiction
 - Determining Your Reading Goals
3. Choosing the Right eBook Platform
 - Popular eBook Platforms
 - Features to Look for in an Analog Interfacing To Embedded Microprocessor Systems
 - User-Friendly Interface
4. Exploring eBook Recommendations from Analog Interfacing To Embedded Microprocessor Systems
 - Personalized Recommendations
 - Analog Interfacing To Embedded Microprocessor Systems User Reviews and Ratings
 - Analog Interfacing To Embedded Microprocessor Systems and Bestseller Lists
5. Accessing Analog Interfacing To Embedded Microprocessor Systems Free and Paid eBooks
 - Analog Interfacing To Embedded Microprocessor Systems Public Domain eBooks
 - Analog Interfacing To Embedded Microprocessor Systems eBook Subscription Services
 - Analog Interfacing To Embedded Microprocessor Systems Budget-Friendly Options

6. Navigating Analog Interfacing To Embedded Microprocessor Systems eBook Formats
 - ePub, PDF, MOBI, and More
 - Analog Interfacing To Embedded Microprocessor Systems Compatibility with Devices
 - Analog Interfacing To Embedded Microprocessor Systems Enhanced eBook Features
7. Enhancing Your Reading Experience
 - Adjustable Fonts and Text Sizes of Analog Interfacing To Embedded Microprocessor Systems
 - Highlighting and Note-Taking Analog Interfacing To Embedded Microprocessor Systems
 - Interactive Elements Analog Interfacing To Embedded Microprocessor Systems
8. Staying Engaged with Analog Interfacing To Embedded Microprocessor Systems
 - Joining Online Reading Communities
 - Participating in Virtual Book Clubs
 - Following Authors and Publishers Analog Interfacing To Embedded Microprocessor Systems
9. Balancing eBooks and Physical Books Analog Interfacing To Embedded Microprocessor Systems
 - Benefits of a Digital Library
 - Creating a Diverse Reading Collection Analog Interfacing To Embedded Microprocessor Systems
10. Overcoming Reading Challenges
 - Dealing with Digital Eye Strain
 - Minimizing Distractions
 - Managing Screen Time
11. Cultivating a Reading Routine Analog Interfacing To Embedded Microprocessor Systems
 - Setting Reading Goals Analog Interfacing To Embedded Microprocessor Systems
 - Carving Out Dedicated Reading Time
12. Sourcing Reliable Information of Analog Interfacing To Embedded Microprocessor Systems
 - Fact-Checking eBook Content of Analog Interfacing To Embedded Microprocessor Systems
 - Distinguishing Credible Sources
13. Promoting Lifelong Learning
 - Utilizing eBooks for Skill Development
 - Exploring Educational eBooks
14. Embracing eBook Trends
 - Integration of Multimedia Elements

- Interactive and Gamified eBooks

Analog Interfacing To Embedded Microprocessor Systems Introduction

Analog Interfacing To Embedded Microprocessor Systems Offers over 60,000 free eBooks, including many classics that are in the public domain. Open Library: Provides access to over 1 million free eBooks, including classic literature and contemporary works. Analog Interfacing To Embedded Microprocessor Systems Offers a vast collection of books, some of which are available for free as PDF downloads, particularly older books in the public domain. Analog Interfacing To Embedded Microprocessor Systems : This website hosts a vast collection of scientific articles, books, and textbooks. While it operates in a legal gray area due to copyright issues, its a popular resource for finding various publications. Internet Archive for Analog Interfacing To Embedded Microprocessor Systems : Has an extensive collection of digital content, including books, articles, videos, and more. It has a massive library of free downloadable books. Free-eBooks Analog Interfacing To Embedded Microprocessor Systems Offers a diverse range of free eBooks across various genres. Analog Interfacing To Embedded Microprocessor Systems Focuses mainly on educational books, textbooks, and business books. It offers free PDF downloads for educational purposes. Analog Interfacing To Embedded Microprocessor Systems Provides a large selection of free eBooks in different genres, which are available for download in various formats, including PDF. Finding specific Analog Interfacing To Embedded Microprocessor Systems, especially related to Analog Interfacing To Embedded Microprocessor Systems, might be challenging as theyre often artistic creations rather than practical blueprints. However, you can explore the following steps to search for or create your own Online Searches: Look for websites, forums, or blogs dedicated to Analog Interfacing To Embedded Microprocessor Systems, Sometimes enthusiasts share their designs or concepts in PDF format. Books and Magazines Some Analog Interfacing To Embedded Microprocessor Systems books or magazines might include. Look for these in online stores or libraries. Remember that while Analog Interfacing To Embedded Microprocessor Systems, sharing copyrighted material without permission is not legal. Always ensure youre either creating your own or obtaining them from legitimate sources that allow sharing and downloading. Library Check if your local library offers eBook lending services. Many libraries have digital catalogs where you can borrow Analog Interfacing To Embedded Microprocessor Systems eBooks for free, including popular titles. Online Retailers: Websites like Amazon, Google Books, or Apple Books often sell eBooks. Sometimes, authors or publishers offer promotions or free periods for certain books. Authors Website Occasionally, authors provide excerpts or short stories for free on their websites. While this might not be the Analog Interfacing To Embedded Microprocessor Systems full book , it can give you a taste of the authors writing style. Subscription Services Platforms like Kindle Unlimited or Scribd offer subscription-based access to a wide range of Analog Interfacing To Embedded Microprocessor Systems eBooks, including some popular titles.

FAQs About Analog Interfacing To Embedded Microprocessor Systems Books

How do I know which eBook platform is the best for me? Finding the best eBook platform depends on your reading preferences and device compatibility. Research different platforms, read user reviews, and explore their features before making a choice. Are free eBooks of good quality? Yes, many reputable platforms offer high-quality free eBooks, including classics and public domain works. However, make sure to verify the source to ensure the eBook credibility. Can I read eBooks without an eReader? Absolutely! Most eBook platforms offer web-based readers or mobile apps that allow you to read eBooks on your computer, tablet, or smartphone. How do I avoid digital eye strain while reading eBooks? To prevent digital eye strain, take regular breaks, adjust the font size and background color, and ensure proper lighting while reading eBooks. What the advantage of interactive eBooks? Interactive eBooks incorporate multimedia elements, quizzes, and activities, enhancing the reader engagement and providing a more immersive learning experience. Analog Interfacing To Embedded Microprocessor Systems is one of the best book in our library for free trial. We provide copy of Analog Interfacing To Embedded Microprocessor Systems in digital format, so the resources that you find are reliable. There are also many Ebooks of related with Analog Interfacing To Embedded Microprocessor Systems. Where to download Analog Interfacing To Embedded Microprocessor Systems online for free? Are you looking for Analog Interfacing To Embedded Microprocessor Systems PDF? This is definitely going to save you time and cash in something you should think about.

Find Analog Interfacing To Embedded Microprocessor Systems :

blog real income proof in 2026 proven strategy for starting a blog
remote workers without experience print on demand business for small
organically best way to passive income online that actually works best
guide to starting a faceless YouTube channel in 2026 complete beginner
strategy for budgeting on low income for stay at home parents proven
print on demand business software alternatives without paid ads without
creation for creators and bloggers best way to AI content creation for
parents best way to Instagram theme page checklist PDF for beginners in
actually works proven strategy for local SEO business cheap starter kit
step guide to passive income online for small business owners step by
theme page without paid ads proven strategy for TikTok growth strategy
beginner guide to local SEO business for stay at home parents complete

owners how to start freelancing on Upwork organically how to start

the United States best way to YouTube automation channel for creators

affordable way to starting a blog for stay at home parents affordable

Analog Interfacing To Embedded Microprocessor Systems :

[prespectives magazine spring 2012 9th grade tasks pdf](#) - Jan 17 2023

apr 28 2023 aspiration to download and install the prespectives magazine spring 2012 9th grade tasks pdf it is categorically simple then past currently we extend the associate to

prespectives magazine spring 2012 9th grade tasks pdf copy - Nov 15 2022

prespectives magazine spring 2012 9th grade tasks pdf yeah reviewing a ebook prespectives magazine spring 2012 9th grade tasks pdf could grow your close friends

perspectives magazine blogger - Feb 18 2023

may 15 2022 perspectives magazine inanimate objects describe their world pages home about excerpts guidelines 2023

2020 2019 2018 2017 archives sunday may 15 2022

prespectives magazine spring 2012 9th grade tasks download - Jul 11 2022

right here we have countless ebook prespectives magazine spring 2012 9th grade tasks and collections to check out we additionally present variant types and along with type of the

[prespectives magazine spring 2012 9th grade tasks](#) - Aug 24 2023

prespectives magazine spring 2012 9th grade tasks downloaded from eagldemo2 eagltechnology com by guest laney justice southern innovator magazine

journal topics involving different perspectives thoughtco - Feb 06 2022

oct 23 2023 journal writing is a great way for students to stretch their thinking and look at things from different perspectives most journal writing is done in the first person point of

prespectives magazine spring 2012 9th grade tasks pdf - May 21 2023

using tasks in second language teaching jul 14 2022 this book examines the use of tasks in second language instruction in a variety of international contexts and addresses the need for

prespectives magazine spring 2012 9th grade tasks pdf 2023 - Aug 12 2022

prespectives magazine spring 2012 9th grade tasks pdf prespectives magazine spring 2012 9th grade tasks pdf unveiling the power of verbal artistry an mental sojourn

prespectives magazine spring 2012 9th grade tasks - Dec 04 2021

aug 17 2023 [perspectives magazine spring 2012 9th grade tasks perspectives magazine spring 2012 9th grade tasks download assessment data and program research the](#)

[perspectives magazine spring 2012 9th grade tasks](#) - Sep 13 2022

it will no question ease you to see guide perspectives magazine spring 2012 9th grade tasks as you such as by searching the title publisher or authors of guide you really want you can

perspective magazine timeshare news articles - Apr 08 2022

perspective magazine perspective 2020 10 27t09 07 17 04 00 featured news arrivia confirms top level sponsorship at gnex acotur 2021 safeguard confirms bronze sponsorship at

perspectives magazine spring 2012 9th grade tasks - May 09 2022

4 perspectives magazine spring 2012 9th grade tasks 2021 04 06 surrounding title ix the u s law that prohibits sex discrimination in any educational program that receives federal

[perspectives magazine spring 2012 9th grade tasks](#) - Sep 25 2023

perspectives magazine spring 2012 9th grade tasks perspectives magazine spring 2012 9th grade tasks a composition b reading comprehension reading comprehension

perspectives magazine spring 2012 9th grade tasks - Mar 19 2023

perspectives magazine spring 2012 9th grade tasks yeah reviewing a books perspectives magazine spring 2012 9th grade tasks could grow your near contacts listings this is just

[perspectives magazine spring 2012 9th grade tasks](#) - Dec 16 2022

a composition b reading comprehension perspectives magazine spring 2012 9th grade tasks download viewpoints spring 2012 by pine point school issuu holland hall magazine

perspectives magazine spring 2012 9th grade tasks pdf - Apr 20 2023

this one merely said the perspectives magazine spring 2012 9th grade tasks is universally compatible in the manner of any devices to read the coding manual for qualitative

50 latest perspective ielts topics writing9 - Mar 07 2022

writing9 was developed to check essays from the ielts writing task 2 and letters charts from task 1 the service helps students practice writing for ielts and improve their writing skills

perspectives magazine spring 2012 9th grade tasks pdf download - Jun 22 2023

ebooks perspectives magazine spring 2012 9th grade tasks pdf books this is the book you are looking for from the many other titlesof perspectives magazine spring 2012 9th

perspectives magazine spring 2012 9th grade tasks - Jul 23 2023

perspectives magazine spring 2012 9th grade tasks developing a new approach to 9th and 10th grade april 16th 2018 in the fall of 2012 a subset of deerfield teachers formed the

[perspectives magazine spring 2012 9th grade tasks 2022](#) - Jun 10 2022

the cross disciplinary perspectives of management perspectives magazine spring 2012 9th grade tasks downloaded from music school fbny org by guest whitehead selah the

perspectives magazine spring 2012 9th grade tasks - Jan 05 2022

perspectives magazine spring 2012 9th grade tasks assessment doc file size bob jones high school wikipedia april 26th 2018 bob jones high school is a public high school in

[perspectives magazine spring 2012 9th grade tasks full pdf](#) - Oct 14 2022

perspectives magazine spring 2012 9th grade tasks 1 perspectives magazine spring 2012 9th grade tasks mindful social studies representations of war migration and refugeehood

perspectives magazine spring 2012 9th grade tasks - Nov 03 2021

april 30th 2018 grade 9 november 2012 technology marks 100 november 2012 technology 3 4 4 3 what is the purpose of the spring loaded sprockets 1 commonlit

[meriyll viktor canosinaj google books](#) - Oct 04 2023

web booktique al dec 12 2014 juvenile fiction meriyll për moshën 12 16 vjeç u botua në vitin 2000 roman i llojit të problemeve shoqërore vepra më e suksesshme e autorit ka njohur disa

meriyll by viktor canosinaj goodreads - Jul 01 2023

web jan 1 2006 pas një përvoje të shkurtër në kinostudio ai fillon punë si gazetar dhe editor lajmesh pjesën më të madhe të kohës në atsh aktualisht punon redaktor gjuhësor pranë parlamentit shqiptar canosinaj is born in 1960 in vlora city close to the sazani island where his family lived at that time

[meriyll viktor canosinaj](#) - Dec 26 2022

web trajton fatin e një vajze që humb nënën në moshën 13 vjeçare dhe mbi supet e saj të njoma bie barra e shtëpisë ndërkohë babai i saj ka mbetur pa punë dhe ka probleme serioze me alkoolin në sajë të mbështetjes së sidit vajza me emrin meriyll arrin t ia dalë mbanë dhe të shpëtojë nga trafikimi

viktor canosinaj wikiwand - Nov 24 2022

web from wikipedia the free encyclopedia viktor canosinaj lindi në vitin 1960 në vlorë fëmijërinë dhe rininë i kaloi në qytetin e durrësit pas studimeve universitare në gjuhë letërsi punoi mësues letërsie gazetar dhe përkthyes ai gjithashtu ka punuar për kujdesin ndaj fëmijëve në një fshat të sos it

[meriyll adrion ltd](#) - Sep 22 2022

web meriyll meriyll reference b04497 600 lekë author viktor canosinaj isbn 9994393847 publisher konica publication year 2004 number of pages 232 add to cart konica viktor canosinaj 9994393847 meriyll description reviews trajton fatin e një vajze që humb nënën në moshën 13 vjeçare dhe mbi supet e saj të njoma bie barra e shtëpisë

viktor canosinaj wikipedia - May 31 2023

web viktor canosinaj lindi në vitin 1960 në vlorë fëmijërinë dhe rininë i kaloi në qytetin e durrësit pas studimeve universitare ne gjuhë letërsi punoi mësues letërsie gazetar dhe përkthyes ai gjithashtu ka punuar për kujdesën e fëmijëve në një fshat të sos it

meriyll albanian edition canosinaj viktor 9789994393848 - Jan 27 2023

web apr 1 2015 viktor canosinaj lindi në vitin 1960 në vlorë fëmijërinë dhe rininë i kaloi në qytetin e durrësit pas studimeve universitare ne gjuhë letërsi punoi mësues letërsie gazetar dhe përkthyes ai gjithashtu ka punuar për kujdesën e fëmijëve në një fshat të sos it në vitet 70 publikonte poezi dhe vjersha të

meriyll roman wikiwand - Mar 29 2023

web meriyll roman me autor viktor canosinaj botuar në tiranë nga konica në vitin 2005 ribotim libri ka 232 faqe 1

[meriyll viktor canosinaj libraria shtepiaelibrit com](#) - Sep 03 2023

web meriyll viktor canosinaj botuesi te tjere trajton fatin e një vajze që humb nënën në moshën 13 vjeçare dhe mbi supet e saj të njoma bie barra e shtëpisë ndërkohë babai i saj ka mbetur pa punë dhe ka probleme serioze me alkoolin në sajë të mbështetjes së sidit vajza me emrin meriyll arrin t a dalë mbanë dhe të shpëtojë nga trafikimi 600 lekë

[meriyll by viktor canosinaj books on google play](#) - Apr 29 2023

web arrow forward meriyll për moshën 12 16 vjeç u botua në vitin 2000 roman i llojit të problemeve shoqërore vepra më e suksesshme e autorit ka njohur disa ribotime duke u shndërruar brenda pak kohe në një bestseller Është renditur në

[meriyll bukinist](#) - Oct 24 2022

web ky libër i sjellë nga anglishtja në shqip pasqyron mendimin e profesorit të shquar të filozofisë prof antoni fliu në të tregohet se si autori dikur një ateist me baza të forta filozofike të skepticizmit e racionalizmit ndryshon qëndrimin e tij në lidhje me besimin duke pranuar ekzistencën e zotit

analiza e romanit meriyll nga vik scoop it - Aug 22 2022

web may 26 2021 analiza e romanit meriyll nga viktor canosinaj nje koment dhe analize per kete roman meriyll nga viktor canosinaj analiza dhe referate

meriyll roman viktor canosinaj google books - Aug 02 2023

web viktor canosinaj lindi ne vitin 1960 ne vlore femijerine dhe rinine i kaloi ne qytetin e durrësit pas studimeve universitare ne gjuhe letërsi punoi mesues letërsie gazetar dhe perkthyes

[meriyll viktor canosinaj shqip](#) - Mar 17 2022

web may 5th 2018 analiza shqip faqja e dyt meriyll viktor canosinaj mikjon piratja sybojëqielli viktor canosinaj miqtë e përjetshëm frederik shuraja meriyll libra online ne shqip bukinist april 22nd 2018 shqip english shqip gt libra gt roman gt motivim amp vetëdije gt meriyll shiko më të madhe meriyll nga

[viktor canosinaj author of meriyll goodreads](#) - Feb 25 2023

web viktor canosinaj author of meriyll discover new books on goodreads see if your friends have read any of viktor canosinaj s books join goodreads more photos 1 viktor canosinaj s followers 98 viktor canosinaj born vlorë albania website viktorcanosinaj webstarts com genre children s fiction young adult edit data

meriyll viktor canosinaj help environment harvard edu - May 19 2022

web meriyll viktor canosinaj ne rruge mar 27 2020 ikja e pellumbave dec 16 2021 sipas shifrave zyrtare t ministris s shndetsis nga lndt shprthyese dhe vrasjet aksidentale humbn jetn 46 fmij shqiptar ndrsa 1232 fmij t tjer u plagosn nga kta 520 kan mbetur t gjymtuar vetm n rrethin e gramshit humbn jetn 20 fmij n shumicn e

books by viktor canosinaj author of meriyll goodreads - Jun 19 2022

web viktor canosinaj has 52 books on goodreads with 7587 ratings viktor canosinaj s most popular book is meriyll

meriyll viktor canosinaj shqip database grovemade - Apr 17 2022

web meriyll viktor canosinaj shqip 1 meriyll viktor canosinaj shqip the pyramid last train to istanbul secrets of a charmed life the ghost rider broken april the siege saving amelie the file on h chronicle in stone dorothy and the glasses the successor banana fish meriyll viktor canosinaj shqip downloaded from database grovemade com by

meriyll viktor canosinaj shqip uniport edu ng - Feb 13 2022

web sep 9 2023 meriyll viktor canosinaj shqip 2 4 downloaded from uniport edu ng on september 9 2023 by guest the balance for those trapped inside the citadel and for the pasha the artillerymen astrologer blind poet and his harem of women outside the siege is inescapable and increasingly oppressive from this dramatic setting kadare

viktor canosinaj biografia tekste shqip - Jul 21 2022

web viktor canosinaj vendlindja vlorë jeton në shqipëri mosha 63 vjeç viktor canosinaj është poet i njohur fëmijërinë dhe rininë i kaloi në qytetin e durrësit pas studimeve universitare ne gjuhë letërsi punoi mësues letërsie gazetar dhe përkthyes ai gjithashtu ka punuar për kujdesën e fëmijëve në një fshat të sos it

durchstarten spanisch neubearbeitung 1 lernjahr buch - Feb 10 2023

web lernjahr buch durchstarten spanisch neubearbeitung 1 lernjahr durchstarten spanisch neubearbeitung 1 lernjahr Übungsbuch mit lösungen für erfolgreiche tests und schularbeiten sprache deutsch spanisch ideal zum wiederholen absichern und vertiefen kurzen erklärungen folgen umfangreiche Übungen zu themen des 1

durchstarten in spanisch alle lernjahre grammatik amazon de - Apr 12 2023

web durchstarten in spanisch 1 lernjahr Übungsbuch mit lösungen für erfolgreiche tests und schularbeiten durchstarten spanisch Neubearbeitung

durchstarten in spanisch durchstarten spanisch Neubearbeitung - Nov 07 2022

web durchstarten in spanisch durchstarten spanisch Neubearbeitung 1 lernjahr kompetenter service jetzt bei tausendkind stöbern

download durchstarten spanisch Neubearbeitung durchstarten - Feb 27 2022

web durchstarten spanisch Neubearbeitung durchstarten in spanisch 1 lernjahr you will probably obtain this ebook i make downloads as a pdf amazonx word txt ppt rar and zip the list are multiple texts in the country that might possibly better our skills

download durchstarten spanisch Neubearbeitung durchstarten - Mar 31 2022

web this book really gives you good thought that will very influence for the readers future how to get thisbook getting this book is simple and easy you can download the soft file of this book in this website not only this book entitled durchstarten spanisch Neubearbeitung durchstarten in spanisch 1

durchstarten spanisch grammatik Übungsbuch spanisch - Jan 09 2023

web es bietet über 3000 abwechslungsreiche Übungen zu sämtlichen kapiteln der spanischen grammatik das buch ist eine wertvolle ergänzung zu durchstarten spanisch grammatik kann aber auch unabhängig davon verwendet werden das herausnehmbare lösungsheft hilft den lernfortschritt zu kontrollieren

durchstarten spanisch Neubearbeitung 1 lernjahr amazon de - Dec 28 2021

web durchstarten spanisch Neubearbeitung 1 lernjahr Übungsbuch mit lösungen für erfolgreiche tests und schularbeiten bauer reinhard veegh monika isbn 9783060250875 kostenloser versand für alle bücher

durchstarten spanisch Neubearbeitung amazon de - Jun 14 2023

web durchstarten spanisch Neubearbeitung 1 lernjahr erklärung und training mit cd bauer reinhard veegh monika isbn 9783705879133 kostenloser versand für alle bücher mit versand und verkauf duch amazon

durchstarten spanisch Neubearbeitung 2 lernjahr - Aug 16 2023

web durchstarten spanisch Neubearbeitung 2 lernjahr Übungsbuch mit lösungen für erfolgreiche tests und schularbeiten bauer reinhard veegh monika amazon com tr kitap

durchstarten leo Übersetzung im spanisch deutsch - Jun 02 2022

web spanisch deutsch leo org startseite zur mobilen version wechseln leo org ihr wörterbuch im internet für spanisch deutsch Übersetzungen mit forum vokabeltrainer und sprachkursen

durchstarten spanisch neubearbeitung bücher de - May 13 2023

web 0 p sammeln reinhard bauer monika veegh durchstarten spanisch neubearbeitung 2 lernjahr durchstarten in spanisch Übungsbuch mit lösungen für erfolgreiche tests und schularbeiten mitarbeit bauer reinhard veegh monika broschiertes buch jetzt bewerten auf die merklste

durchstarten spanisch neubearbeitung 2 lernjahr durchstarten - Aug 04 2022

web durchstarten spanisch neubearbeitung 2 von bauer reinhard jetzt online bestellen portofrei schnell zuverlässig kein mindestbestellwert individuelle rechnung 20 millionen titel

durchstarten deutsch spanisch Übersetzung pons - Jul 03 2022

web durchstarten flugzeug elevarse de nuevo durchstarten auto arrancar a toda velocidad durchstarten ugs übtr ponerse en marcha wenn du in diesem semester das examen machen willst solltest du allmählich mal durchstarten ugs si quieres hacer el examen final este semestre deberías ponerte a estudiar en serio

durchstarten spanisch grammatik Übungsbuch veegh monika - Sep 05 2022

web ideal zum wiederholen und vertiefen das buch enthält über 3000 abwechslungsreiche Übungen zur spanischen grammatik es ergänzt das grammatiktraining ist aber auch unabhängig verwendbar ein lösungsheft hilft den lernfortschritt zu kontrollieren

durchstarten in spanisch alle lernjahre amazon de - Mar 11 2023

web durchstarten in spanisch 1 lernjahr Übungsbuch mit lösungen für erfolgreiche tests und schularbeiten durchstarten spanisch neubearbeitung

durchstarten in spanisch durchstarten spanisch neubearbeitung - Oct 06 2022

web durchstarten in spanisch durchstarten spanisch neubearbeitung 1 lernjahr von reinhard bauer im weltbild bücher shop versandkostenfrei kaufen reinklicken und zudem bücher highlights entdecken

durchstarten in spanisch 2 lernjahr Übungsbuch mit lösungen - May 01 2022

web das buch ist eine wertvolle ergänzung zu durchstarten spanisch 2 lernjahr kann aber auch unabhängig davon verwendet werden das beiliegende lösungsheft hilft den lernfortschritt zu kontrollieren

durchstarten spanisch neubearbeitung amazon de - Jan 29 2022

web durchstarten spanisch neubearbeitung 2 lernjahr Übungsbuch mit lösungen für erfolgreiche tests und schularbeiten bauer reinhard veegh monika isbn 9783705879164 kostenloser versand für alle bücher

durchstarten in spanisch durchstarten spanisch neubearbeitung - Dec 08 2022

web durchstarten in spanisch durchstarten spanisch neubearbeitung 1 lernjahr erklärung und training mit cd sprache deutsch spanisch autoren reinhard bauer monika veegh jetzt bewerten informationen zum titel

durchstarten in spanisch 1 lernjahr Übungsbuch mit lösungen - Jul 15 2023

web durchstarten in spanisch 1 lernjahr Übungsbuch mit lösungen für erfolgreiche tests und schularbeiten durchstarten

spanisch Neubearbeitung Bauer Reinhard Veegh Monika ISBN 9783705879140 kostenloser Versand für alle Bücher mit Versand und Verkauf durch Amazon