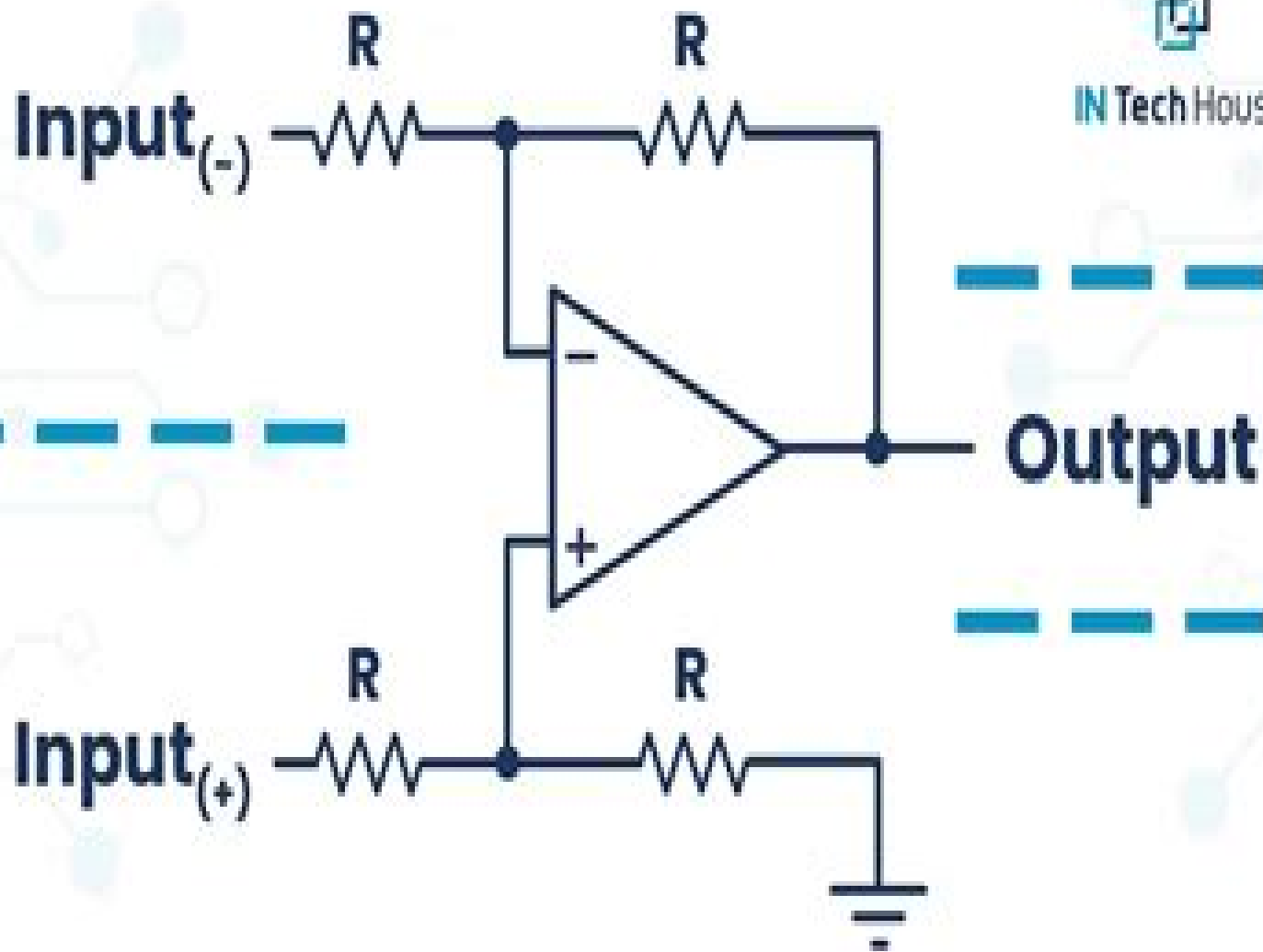


# SIMPLE ANALOG CIRCUIT



# Analog Circuit Design

**M Planty**



## **Analog Circuit Design:**

The Engaging World of Kindle Books: A Comprehensive Guide Unveiling the Pros of E-book Books: A World of Convenience and Versatility Kindle books, with their inherent portability and simplicity of access, have liberated readers from the constraints of hardcopy books. Gone are the days of carrying cumbersome novels or carefully searching for particular titles in shops. E-book devices, sleek and lightweight, seamlessly store an extensive library of books, allowing readers to immerse in their preferred reads whenever, everywhere. Whether commuting on a busy train, relaxing on a sunny beach, or simply cozying up in bed, E-book books provide an exceptional level of ease. A Literary World Unfolded: Discovering the Vast Array of Kindle Analog Circuit Design Analog Circuit Design The E-book Store, a virtual treasure trove of literary gems, boasts an extensive collection of books spanning varied genres, catering to every readers taste and choice. From gripping fiction and thought-provoking non-fiction to classic classics and contemporary bestsellers, the E-book Shop offers an unparalleled abundance of titles to explore. Whether looking for escape through engrossing tales of fantasy and exploration, diving into the depths of past narratives, or broadening ones knowledge with insightful works of science and philosophical, the Kindle Store provides a gateway to a bookish universe brimming with limitless possibilities. A Revolutionary Factor in the Literary Landscape: The Lasting Influence of Kindle Books Analog Circuit Design The advent of E-book books has unquestionably reshaped the bookish scene, introducing a model shift in the way books are published, disseminated, and read. Traditional publishing houses have embraced the digital revolution, adapting their strategies to accommodate the growing need for e-books. This has led to a rise in the availability of Kindle titles, ensuring that readers have access to a wide array of literary works at their fingers. Moreover, E-book books have equalized access to books, breaking down geographical limits and providing readers worldwide with similar opportunities to engage with the written word. Regardless of their location or socioeconomic background, individuals can now immerse themselves in the intriguing world of literature, fostering a global community of readers. Conclusion: Embracing the E-book Experience Analog Circuit Design E-book books Analog Circuit Design, with their inherent ease, flexibility, and wide array of titles, have undoubtedly transformed the way we experience literature. They offer readers the freedom to discover the limitless realm of written expression, anytime, everywhere. As we continue to travel the ever-evolving online landscape, E-book books stand as testament to the lasting power of storytelling, ensuring that the joy of reading remains reachable to all.

[https://www.cruiselady.com/data/scholarship/Download\\_PDFS/collected%20poems%2019241974%201st%20edition%20signed.pdf](https://www.cruiselady.com/data/scholarship/Download_PDFS/collected%20poems%2019241974%201st%20edition%20signed.pdf)

## **Table of Contents Analog Circuit Design**

1. Understanding the eBook Analog Circuit Design
  - The Rise of Digital Reading Analog Circuit Design
  - Advantages of eBooks Over Traditional Books
2. Identifying Analog Circuit Design
  - Exploring Different Genres
  - Considering Fiction vs. Non-Fiction
  - Determining Your Reading Goals
3. Choosing the Right eBook Platform
  - Popular eBook Platforms
  - Features to Look for in an Analog Circuit Design
  - User-Friendly Interface
4. Exploring eBook Recommendations from Analog Circuit Design
  - Personalized Recommendations
  - Analog Circuit Design User Reviews and Ratings
  - Analog Circuit Design and Bestseller Lists
5. Accessing Analog Circuit Design Free and Paid eBooks
  - Analog Circuit Design Public Domain eBooks
  - Analog Circuit Design eBook Subscription Services
  - Analog Circuit Design Budget-Friendly Options
6. Navigating Analog Circuit Design eBook Formats
  - ePub, PDF, MOBI, and More
  - Analog Circuit Design Compatibility with Devices
  - Analog Circuit Design Enhanced eBook Features
7. Enhancing Your Reading Experience
  - Adjustable Fonts and Text Sizes of Analog Circuit Design
  - Highlighting and Note-Taking Analog Circuit Design
  - Interactive Elements Analog Circuit Design
8. Staying Engaged with Analog Circuit Design

- Joining Online Reading Communities
  - Participating in Virtual Book Clubs
  - Following Authors and Publishers Analog Circuit Design
9. Balancing eBooks and Physical Books Analog Circuit Design
    - Benefits of a Digital Library
    - Creating a Diverse Reading Collection Analog Circuit Design
  10. Overcoming Reading Challenges
    - Dealing with Digital Eye Strain
    - Minimizing Distractions
    - Managing Screen Time
  11. Cultivating a Reading Routine Analog Circuit Design
    - Setting Reading Goals Analog Circuit Design
    - Carving Out Dedicated Reading Time
  12. Sourcing Reliable Information of Analog Circuit Design
    - Fact-Checking eBook Content of Analog Circuit Design
    - Distinguishing Credible Sources
  13. Promoting Lifelong Learning
    - Utilizing eBooks for Skill Development
    - Exploring Educational eBooks
  14. Embracing eBook Trends
    - Integration of Multimedia Elements
    - Interactive and Gamified eBooks

### **Analog Circuit Design Introduction**

In today's digital age, the availability of Analog Circuit Design books and manuals for download has revolutionized the way we access information. Gone are the days of physically flipping through pages and carrying heavy textbooks or manuals. With just a few clicks, we can now access a wealth of knowledge from the comfort of our own homes or on the go. This article will explore the advantages of Analog Circuit Design books and manuals for download, along with some popular platforms that offer these resources. One of the significant advantages of Analog Circuit Design books and manuals for download is the cost-saving aspect. Traditional books and manuals can be costly, especially if you need to purchase several of them for

educational or professional purposes. By accessing Analog Circuit Design versions, you eliminate the need to spend money on physical copies. This not only saves you money but also reduces the environmental impact associated with book production and transportation. Furthermore, Analog Circuit Design books and manuals for download are incredibly convenient. With just a computer or smartphone and an internet connection, you can access a vast library of resources on any subject imaginable. Whether you're a student looking for textbooks, a professional seeking industry-specific manuals, or someone interested in self-improvement, these digital resources provide an efficient and accessible means of acquiring knowledge. Moreover, PDF books and manuals offer a range of benefits compared to other digital formats. PDF files are designed to retain their formatting regardless of the device used to open them. This ensures that the content appears exactly as intended by the author, with no loss of formatting or missing graphics. Additionally, PDF files can be easily annotated, bookmarked, and searched for specific terms, making them highly practical for studying or referencing. When it comes to accessing Analog Circuit Design books and manuals, several platforms offer an extensive collection of resources. One such platform is Project Gutenberg, a nonprofit organization that provides over 60,000 free eBooks. These books are primarily in the public domain, meaning they can be freely distributed and downloaded. Project Gutenberg offers a wide range of classic literature, making it an excellent resource for literature enthusiasts. Another popular platform for Analog Circuit Design books and manuals is Open Library. Open Library is an initiative of the Internet Archive, a non-profit organization dedicated to digitizing cultural artifacts and making them accessible to the public. Open Library hosts millions of books, including both public domain works and contemporary titles. It also allows users to borrow digital copies of certain books for a limited period, similar to a library lending system. Additionally, many universities and educational institutions have their own digital libraries that provide free access to PDF books and manuals. These libraries often offer academic texts, research papers, and technical manuals, making them invaluable resources for students and researchers. Some notable examples include MIT OpenCourseWare, which offers free access to course materials from the Massachusetts Institute of Technology, and the Digital Public Library of America, which provides a vast collection of digitized books and historical documents. In conclusion, Analog Circuit Design books and manuals for download have transformed the way we access information. They provide a cost-effective and convenient means of acquiring knowledge, offering the ability to access a vast library of resources at our fingertips. With platforms like Project Gutenberg, Open Library, and various digital libraries offered by educational institutions, we have access to an ever-expanding collection of books and manuals. Whether for educational, professional, or personal purposes, these digital resources serve as valuable tools for continuous learning and self-improvement. So why not take advantage of the vast world of Analog Circuit Design books and manuals for download and embark on your journey of knowledge?

### FAQs About Analog Circuit Design Books

How do I know which eBook platform is the best for me? Finding the best eBook platform depends on your reading preferences and device compatibility. Research different platforms, read user reviews, and explore their features before making a choice. Are free eBooks of good quality? Yes, many reputable platforms offer high-quality free eBooks, including classics and public domain works. However, make sure to verify the source to ensure the eBook credibility. Can I read eBooks without an eReader? Absolutely! Most eBook platforms offer web-based readers or mobile apps that allow you to read eBooks on your computer, tablet, or smartphone. How do I avoid digital eye strain while reading eBooks? To prevent digital eye strain, take regular breaks, adjust the font size and background color, and ensure proper lighting while reading eBooks. What the advantage of interactive eBooks? Interactive eBooks incorporate multimedia elements, quizzes, and activities, enhancing the reader engagement and providing a more immersive learning experience. Analog Circuit Design is one of the best book in our library for free trial. We provide copy of Analog Circuit Design in digital format, so the resources that you find are reliable. There are also many Ebooks of related with Analog Circuit Design. Where to download Analog Circuit Design online for free? Are you looking for Analog Circuit Design PDF? This is definitely going to save you time and cash in something you should think about.

### Find Analog Circuit Design :

collected poems 19241974 1st edition signed

**coldfusion fast and easy web development**

**codependency in the workplace a guide for employee assistance and human resource professionals**

*collaborative action gluings robert delford brown*

colby agency

**cold war is over**

cold feet why men dont commit

*cockfighter 1st edition*

cohesion adhesion chemical affinity electricity by wj rolfe ja gillet

**cognition and learning in diverse settings**

cold blooded

coefficients of natural selection

cole porter rediscovered

---

**coin folders half dollars franklin 1948-1963**

*coffee smarts*

**Analog Circuit Design :**

*toyota blade owner s user manual in english 2006 2012 - May 12 2023*

web toyota blade owner s user manual in english 2006 2012 owners handbook for the japanese import model aze156h aze154h gre156h brand new item this 251 page handbook has been translated from the original japanese handbook into english and is very professional with full illustrations

**manuals warranties toyota owners - Jun 01 2022**

web toyota owner manuals and warranty information are the keys to quality maintenance for your vehicle no need to hunt down a separate toyota repair manual or toyota service manual from warranties on toyota replacement parts to details on features toyota owners manuals help you find everything you need to know about your vehicle all in

**2007 toyota blade owners manual best manuals - Nov 06 2022**

web this electronic pdf owners manual for toyota blade this manual is the electronic version of the physical manual that you get with a new car or the one you can buy from your dealers know how your car work the maintenance schedule servicing etc pdf format to read print on any computer system paypal and visa mastercard accepted

*2007 toyota blade owners manual best manuals - Jan 28 2022*

web 2007 toyota blade owners manual just got a new car without the proprietor manual we have a solution to you this electronic pdf owners manual for toyota bladethis instructions is to electronic version of of physical manual that you get with a new car or the one you can buy from your dealers

*toyota blade dashboard display japanese to english other toyota - Apr 11 2023*

web jun 14 2015 i ve equal bought a japanese toyota blade and i had to translate of vehicle display so i thought i d share what i learned you change the display by dial the disp mouse at the bottom of one dashboard it is the right button of of two

**toyota blade workshop repair manual free download pdf toyota owner s - Sep 04 2022**

web sep 15 2021 toyota blade workshop repair manual pdf toyota blade with petroleum engine right print drive repair owner wiring diagrams operating instructions maintenance manual owner s manual pdf free download

*toyota owner s manual pdf 28 models manual directory - Feb 26 2022*

web the company found its humble beginnings in manufacturing a cutting edge loom way back in 1924 before selling the patent to a british company toyota known at this time as toyoda used this money to develop an automobile which it released in 1935 called the a1 shortly after this the company released a truck called the g1

[manuals toyota](#) - Feb 09 2023

web aug 14 2023 manuals how can i view an online version of my owner s manual navigation manual or warranty and maintenance guide please visit the manuals section of my toyota and choose your toyota vehicle how do i obtain an owner s manual navigation manual warranty and maintenance guide repair manual or wiring

**where can i get a pdf of toyota blade user manual in fixya** - Aug 03 2022

web i couldn t find a free pdf file for you to download i m not affiliated with the following site but they are the manual in print form for sale japaneseautospareparts.co.uk ownershandbooks toyota htm landcruiser i hope this helps if it does please rate the solution

[toyota blade 2006 2012 english language owners manual](#) - Mar 10 2023

web find many great new used options and get the best deals for toyota blade 2006 2012 english language owners manual handbook at the best online prices at ebay free shipping for many products

*toyota blade dashboard display japanese to english* - Jan 08 2023

web jun 14 2015 hi i ve fairly bought a japanese toyota blades and ego held to translate the dashboard display how i thought i d share what myself learned you shift and display by selecting the disp button at the bottom of the dashboard it is the just button of and two i ll go through each screen that can be selecte

**owner s manual toyota europe** - Apr 30 2022

web find your toyota s owner s manual here you can read it online or download it to read offline whenever you want toyota

**toyota blade technical specs fuel consumption dimensions** - Jul 02 2022

web toyota blade 2006 2011 hatchback power from 167 to 280 hp dimensions 4220 x 1760 x 1515 mm

*toyota blade workshop repair manual free download pdf owner s manual* - Mar 30 2022

web toyota blade with gasoline engine right hand drive repair manual wiring diagrams operating directions maintenance manual owner s manual pdf free download

[toyota blade owners manual by jpnz manuals youtube](#) - Jun 13 2023

web aug 9 2022 toyota blade owners manual by jpnz manuals opening and first look to order a user manual just like this one for your toyota blade check out

**manual toyota blade youtube** - Oct 05 2022

web manual toyota blade 24 149 views jun 7 2019 180 dislike share save thecubicnz 58 subscribers a few short clips of my manual swapped toyota blade master

**2007 toyota blade owners manual best manuals manuals** - Dec 27 2021

web 2007 toyota blade owners manual just got a new car free the owner manual we have a solution for you this electronic pdf

owners manual for toyota bladethis manual is the electrical version of the physical manual that to get with adenine new car button the ready you ca buy from your dealers

**toyota blade owners manual in english youtube** - Aug 15 2023

web oct 31 2017 share 7 2k views 5 years ago user manual for the toyota blade jpnz co nz voucher code youtube more more

**2007 toyota blade owners manual automotive manuals** - Dec 07 2022

web just got a new car without the owner manual we have a solution for you this electronic pdf owners manual for toyota blade this manual is the electronic version of the physical manual that you get with a new car or the one you can buy from your dealers

*toyota blade 2007 owners manual google drive* - Jul 14 2023

web toyota blade 2007 owners manualowner manual instruction user manual user guide meizu mini player user manual audi a6 c5 owners manual download 06250064731 toyota blade 2007 owners manual mazda factory repair manual however a deeper analysis of character forever shall demonstrate that which forevermore shall be to

*pediatric dosage handbook google books* - Feb 24 2023

web pediatric dosage handbook lexi comp s clinical reference library contributors lexi comp inc american pharmaceutical association publisher lexi comp 2007 original

pediatric neonatal dosage handbook a universal resource for - May 30 2023

web feb 17 2022 pediatric neonatal dosage handbook a universal resource for clinicians treating pediatric and neonatal patients taketomo carol k free download borrow

read download pediatric dosage handbook pdf pdf - Sep 02 2023

web pdf epub download 2010 in medical carol k taketomo pediatric dosage handbook including neonatal dosing drug administration extemporaneous preparations

*pediatric neonatal dosage handbook rittenhouse* - Oct 23 2022

web pediatric dosage handbook taketomo carol k free download borrow and streaming internet archive

pdf pediatric amp neonatal dosage handbook full yumpu - Aug 21 2022

web oct 28 2016 pediatric neonatal dosage handbook 99 95 3 in stock the pediatric neonatal dosing handbook includes more than 1 000 drug monographs

**2016 pediatric medication handbook pem source** - Aug 01 2023

web long half life with chronic dosing may dose bid or tid iv dosing 0 04 0 3 mg kg dose iv every 2 to 6 hrs max 1 8 mg kg day etomidate intubation 0 5 mg kg dose max dose

*pediatric neonatal dosage handbook amazon com* - Jul 20 2022

web lexi comp s pediatric dosage handbook including neonatal dosing drug administration extemporaneous preparations  
taketomo carol k free download borrow and

**guideline on pharmaceutical development of medicines for** - Apr 16 2022

web pediatric neonatal dosage handbook a comprehensive resource for all clinicians treating pediatric and neonatal patients  
pediatric dosage handbook by carol k

**pediatric neonatal dosage handbook open library** - Nov 11 2021

pediatric dosage handbook by carol k taketomo open library - Nov 23 2022

web benefits the pediatric neonatal dosing handbook includes nearly 1 300 drug monographs featuring concise fields of  
information specific to neonates and children it

pediatric neonatal dosage handbook a - Mar 28 2023

web aug 16 2012 pediatric neonatal dosage handbook a comprehensive resource for all clinicians treating pediatric and  
neonatal patients pediatric dosage handbook

*pediatric neonatal dosage handbook 19th edition esource svb* - Jan 14 2022

web dec 31 2021 pediatric neonatal dosage handbook by carol k taketomo 0 ratings 7 want to read 1 currently reading 1  
have read this handbook includes more than

pediatric drug dosages stony brook school of medicine - Dec 25 2022

web aug 18 2010 pediatric dosage handbook including neonatal dosing drug administration extemporaneous preparations  
2002 2003 2002 lexi corp inc in

amazon com pediatric dosage handbook - Mar 16 2022

web pediatric drug lookup an essential pediatric and neonatal drug lookup continually updated powered by lexicomp all  
drugs drug brand name drug generic name

*pediatric dosage handbook google books* - Jun 30 2023

web lexi comp 2006 chemotherapy 1810 pages the pediatric dosage handbook has been the trusted resource for medical  
professionals managing pediatric patients for over

**pediatric dosage handbook taketomo carol k archive org** - Sep 21 2022

web sep 7 2020 simple step to read and download 1 create a free account 2 choose from our vast selection of ebook and pdf  
3 please see if you are eligible to read or

paperback september 1 2021 amazon com - Jan 26 2023

web jul 5 2005 suggested pediatric drug dosages 07 05 2005 zwi jacob md download 2 page pdf version for printing the

dosages and drugs are intended as general guidelines  
[pediatric neonatal dosage handbook w](#) - Dec 13 2021

*medication reference books manuals lexicomp* - Apr 28 2023

web pediatric neonatal dosage handbook includes drug monographs featuring concise fields of information specific to neonates and children drug information handbook for

**pediatric neonatal dosage handbook pediatric dosage handboo** - May 18 2022

web focus on a minimum number of acceptable dosage forms which are capable of meeting the needs of the majority of the children in the target age groups this can be achieved by

**lexi comp s pediatric dosage handbook archive org** - Jun 18 2022

web are you looking for a comprehensive and reliable guide to pediatric and neonatal drug dosing download the pediatric neonatal dosage handbook pediatric dosage

**pediatric neonatal dosage handbook 28th edition accp** - Oct 03 2023

web pediatric neonatal dosage handbook 28th edition member 89 95 nonmember 99 95 unavailable the lexicomp pediatric neonatal dosage handbook includes

*all drugs pediatric drug lookup american academy of pediatrics* - Feb 12 2022

web 4 pediatric neonatal dosage handbook 19th edition 2022 11 18 hematology and oncology hotline numbers infectious diseases and immunology laboratory normals

*tshwane north tvet college application dates 2024 2025* - Mar 02 2023

web tshwane north tvet college tnt application dates 2024 2025 registration periods take place three times a year for trimester courses january april may august september for semester courses registration takes place twice a year january and july for year long courses registration takes place in january

*tshwane north tvet college opening date 2023 2024* - Sep 27 2022

web sep 5 2022 the tshwane north tvet college opens for the 2023 2024 academic year after the closure of the application process which is around february march 2023 the tshwane north tvet college opening date 2023 2024 is published on the school s website via the link below tnc edu za

**tshwane north tvet college registration date 2023 2024** - May 04 2023

web ceecee june 11 2021 online applications tshwane north tvet college registration date 2023 2024 tshwane north tvet college registration date 2023 2024 tshwane north tvet college registration date 2023 2024 see details below visit the tnc ienabler registration portal bit ly 3negrjr then log in with your student number

*tshwane north tvet college - Oct 09 2023*

web the management of the college will support this through an approach which is focused on hands on involvement and detailed follow through apply now 2024 online application for new students closing 18 october 2023

[tshwane north tvet college online registration 2023](#) - Jul 06 2023

web tshwane north tvet college online registration date 2023 from the 1st of september 2022 to the 30th of september 2022 the academic year 2023 will be open if you want your registration to be processed by the college make sure you complete your registration and submit all supporting documents before the registration closing date

[step by step registration izu edu tr](#) - Mar 22 2022

web jul 3 2023 izu registration dates are from july 03 2023 to august 31 2023 after being accepted to an undergraduate program at istanbul zaim university you should immediately start working on registration you should pay utmost attention to below instructions to experience a smooth process remember the registration process is time sensitive

[tshwane north tvet college registration 2024 2025](#) - Sep 08 2023

web tnc registration open date 2024 2025 registrations at tshwane north tvet college 2024 2025 will commence on the 15th of january 2024 tnc registration closing date 2024 2025 tshwane north tvet college will be closing its registration process for the academic year 2024 2025 on the 27th of january 2024 tsc courses and programmes

**tshwane north tvet college online applications 2024 when** - Jun 05 2023

web apr 26 2023 enrolment dates january 2024 the tshwane north tvet college applications date can be accessed on the following linked page click here to see dates of online applications you will see the requirements for getting admitted to tnc click here to read selection criteria how to apply for tshwane north tvet college

**tshwane north tvet college tnc application dates 2024 2025** - May 24 2022

web application dates in order to ensure adequate time for application processing and planning by the university and yourself applications for early admission in 2024 2025 should be as follows tshwane north tvet college tnc application dates 2024 applications close registration periods take place three times a year for trimester

*tnc online applications 2024 2025 apply for college* - Jun 24 2022

web tshwane north tvet college tnc online application for the 2024 2025 academic year will be open on 1 september 2023 the application deadline or closing date is 30 september 2023 therefore everyone planning to study at tshwane north college must submit an online application via tnc edu za before the due date

**tshwane north tvet college registration 2023 2024 updated** - Nov 29 2022

web tshwane north tvet college registration 2023 2024 tshwane north tvet college registration 2023 2024 see details below visit the tnc ienabler registration portal bit ly 3negrjr then log in with your student number and pin

*tnc registration opening dates 2024 2025 kescholars portal - Oct 29 2022*

web apr 23 2023 tshwane north tvet college tnc registration opening dates 2024 2025 the tshwane north tvet college tnc admission registration closing dates 2024 2025 has been scheduled as follows undergraduate postgraduate qualifications the application window is anticipated to be open from may 2022 to

*application requirements for undergraduate students iuc edu tr - Apr 22 2022*

web registrations are made at the relevant departments on the dates announced on the university s website applicants lose registration right unless registered within the registration period

*tshwane north tvet college registration date - Apr 03 2023*

web tshwane north tvet college registration date tshwane north tvet college registration date 2023 2024 see details below visit the tnc ienabler registration portal bit ly 3negrjr then log in with your student number and pin

**tnc registration dates and deadline 2023 eafinder com** - Aug 07 2023

web from january 16 to january 20 2023 the tnc looks forward to welcoming you as a student for the 2023 academic year we advise you to register as soon as possible and not to wait until the last minute to start your registration see the tshwane north college tnc registration procedure don t miss out on current updates

**tshwane north tvet college online registration zwadmissions** - Feb 01 2023

web tshwane north tvet college registration tshwane north tvet college registration 2023 2024 see details below visit the tnc ienabler registration portal bit ly 3negrjr then log in with your student number and pin

**tshwane north tvet college online registration 2024 2025** - Aug 27 2022

web apr 11 2021 enrolment dates january we look forward to welcoming you as a student for the academic year we advise you to register as soon as possible and not to wait until the last minute new applications process tshwane north tvet college online application 2024 2025 has been published below

*tnc registration closing dates 2023 2024 kescholars portal - Dec 31 2022*

web mar 14 2022 the tshwane north tvet college tnc has officially announced the closing date deadline for submission of online applications for the 2023 2024 academic year interested applicants are advised to complete the

**2020 2021 academic year spring semester master s programs** - Feb 18 2022

web ms programs interview dates 9 10 11 february 2021 mba programs interview dates 9 10 11 february 2021 yönetici mba programs interview dates 9 10 11 february 2021

*tshwane north tvet college registration date 2023* - Jul 26 2022

web tshwane north tvet college registration date for 2023 for the regular undergraduate applicants 2023 tshwane north tvet college application is expected to open online applications from june and close in september 2023

