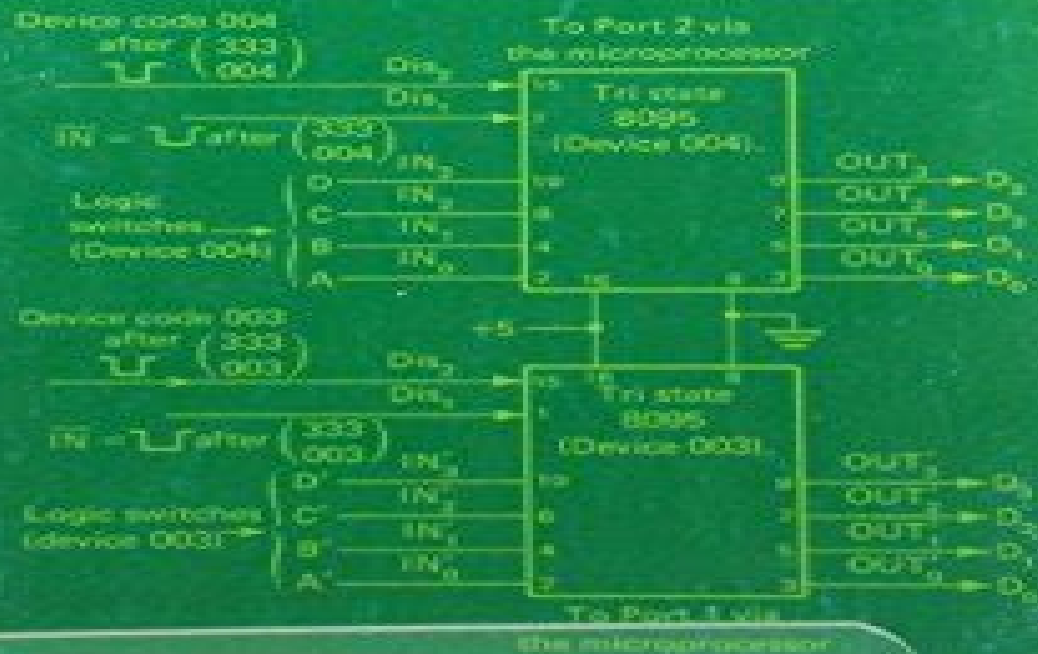


DP Series in Hardware  
Number 4

# 8080 Microcomputer Experiments

Howard Boyet



# 8080 Microcomputer Experiments

**J Dewey**



## **8080 Microcomputer Experiments:**

The Enthralling World of E-book Books: A Thorough Guide Unveiling the Advantages of E-book Books: A Realm of Convenience and Flexibility E-book books, with their inherent mobility and ease of availability, have freed readers from the constraints of hardcopy books. Gone are the days of carrying cumbersome novels or meticulously searching for specific titles in bookstores. E-book devices, sleek and lightweight, effortlessly store an extensive library of books, allowing readers to indulge in their favorite reads whenever, everywhere. Whether commuting on a busy train, lounging on a sun-kissed beach, or simply cozying up in bed, E-book books provide an exceptional level of convenience. A Reading Universe Unfolded: Exploring the Wide Array of E-book 8080 Microcomputer Experiments 8080 Microcomputer Experiments The Kindle Store, a virtual treasure trove of literary gems, boasts an extensive collection of books spanning diverse genres, catering to every readers taste and choice. From captivating fiction and mind-stimulating non-fiction to classic classics and modern bestsellers, the Kindle Store offers an exceptional variety of titles to discover. Whether looking for escape through engrossing tales of fantasy and adventure, delving into the depths of past narratives, or expanding ones knowledge with insightful works of scientific and philosophical, the E-book Shop provides a gateway to a literary universe brimming with limitless possibilities. A Game-changing Factor in the Literary Landscape: The Persistent Influence of E-book Books 8080 Microcomputer Experiments The advent of E-book books has undoubtedly reshaped the literary landscape, introducing a paradigm shift in the way books are published, disseminated, and consumed. Traditional publication houses have embraced the online revolution, adapting their approaches to accommodate the growing need for e-books. This has led to a rise in the availability of E-book titles, ensuring that readers have entry to a wide array of bookish works at their fingers. Moreover, E-book books have democratized access to books, breaking down geographical barriers and providing readers worldwide with similar opportunities to engage with the written word. Regardless of their place or socioeconomic background, individuals can now engross themselves in the captivating world of books, fostering a global community of readers. Conclusion: Embracing the E-book Experience 8080 Microcomputer Experiments E-book books 8080 Microcomputer Experiments, with their inherent convenience, versatility, and vast array of titles, have certainly transformed the way we experience literature. They offer readers the liberty to explore the boundless realm of written expression, whenever, everywhere. As we continue to travel the ever-evolving digital landscape, Kindle books stand as testament to the enduring power of storytelling, ensuring that the joy of reading remains accessible to all.

[https://www.cruiselady.com/About/virtual-library/Documents/improve\\_local\\_seo\\_business\\_for\\_remote\\_workers\\_how\\_to\\_improve\\_local\\_seo.pdf](https://www.cruiselady.com/About/virtual-library/Documents/improve_local_seo_business_for_remote_workers_how_to_improve_local_seo.pdf)

## **Table of Contents 8080 Microcomputer Experiments**

1. Understanding the eBook 8080 Microcomputer Experiments
  - The Rise of Digital Reading 8080 Microcomputer Experiments
  - Advantages of eBooks Over Traditional Books
2. Identifying 8080 Microcomputer Experiments
  - Exploring Different Genres
  - Considering Fiction vs. Non-Fiction
  - Determining Your Reading Goals
3. Choosing the Right eBook Platform
  - Popular eBook Platforms
  - Features to Look for in an 8080 Microcomputer Experiments
  - User-Friendly Interface
4. Exploring eBook Recommendations from 8080 Microcomputer Experiments
  - Personalized Recommendations
  - 8080 Microcomputer Experiments User Reviews and Ratings
  - 8080 Microcomputer Experiments and Bestseller Lists
5. Accessing 8080 Microcomputer Experiments Free and Paid eBooks
  - 8080 Microcomputer Experiments Public Domain eBooks
  - 8080 Microcomputer Experiments eBook Subscription Services
  - 8080 Microcomputer Experiments Budget-Friendly Options
6. Navigating 8080 Microcomputer Experiments eBook Formats
  - ePub, PDF, MOBI, and More
  - 8080 Microcomputer Experiments Compatibility with Devices
  - 8080 Microcomputer Experiments Enhanced eBook Features
7. Enhancing Your Reading Experience
  - Adjustable Fonts and Text Sizes of 8080 Microcomputer Experiments
  - Highlighting and Note-Taking 8080 Microcomputer Experiments
  - Interactive Elements 8080 Microcomputer Experiments

8. Staying Engaged with 8080 Microcomputer Experiments
  - Joining Online Reading Communities
  - Participating in Virtual Book Clubs
  - Following Authors and Publishers 8080 Microcomputer Experiments
9. Balancing eBooks and Physical Books 8080 Microcomputer Experiments
  - Benefits of a Digital Library
  - Creating a Diverse Reading Collection 8080 Microcomputer Experiments
10. Overcoming Reading Challenges
  - Dealing with Digital Eye Strain
  - Minimizing Distractions
  - Managing Screen Time
11. Cultivating a Reading Routine 8080 Microcomputer Experiments
  - Setting Reading Goals 8080 Microcomputer Experiments
  - Carving Out Dedicated Reading Time
12. Sourcing Reliable Information of 8080 Microcomputer Experiments
  - Fact-Checking eBook Content of 8080 Microcomputer Experiments
  - Distinguishing Credible Sources
13. Promoting Lifelong Learning
  - Utilizing eBooks for Skill Development
  - Exploring Educational eBooks
14. Embracing eBook Trends
  - Integration of Multimedia Elements
  - Interactive and Gamified eBooks

## **8080 Microcomputer Experiments Introduction**

Free PDF Books and Manuals for Download: Unlocking Knowledge at Your Fingertips In today's fast-paced digital age, obtaining valuable knowledge has become easier than ever. Thanks to the internet, a vast array of books and manuals are now available for free download in PDF format. Whether you are a student, professional, or simply an avid reader, this treasure trove of downloadable resources offers a wealth of information, conveniently accessible anytime, anywhere. The advent of online libraries and platforms dedicated to sharing knowledge has revolutionized the way we consume information.

No longer confined to physical libraries or bookstores, readers can now access an extensive collection of digital books and manuals with just a few clicks. These resources, available in PDF, Microsoft Word, and PowerPoint formats, cater to a wide range of interests, including literature, technology, science, history, and much more. One notable platform where you can explore and download free 8080 Microcomputer Experiments PDF books and manuals is the internet's largest free library. Hosted online, this catalog compiles a vast assortment of documents, making it a veritable goldmine of knowledge. With its easy-to-use website interface and customizable PDF generator, this platform offers a user-friendly experience, allowing individuals to effortlessly navigate and access the information they seek. The availability of free PDF books and manuals on this platform demonstrates its commitment to democratizing education and empowering individuals with the tools needed to succeed in their chosen fields. It allows anyone, regardless of their background or financial limitations, to expand their horizons and gain insights from experts in various disciplines. One of the most significant advantages of downloading PDF books and manuals lies in their portability. Unlike physical copies, digital books can be stored and carried on a single device, such as a tablet or smartphone, saving valuable space and weight. This convenience makes it possible for readers to have their entire library at their fingertips, whether they are commuting, traveling, or simply enjoying a lazy afternoon at home. Additionally, digital files are easily searchable, enabling readers to locate specific information within seconds. With a few keystrokes, users can search for keywords, topics, or phrases, making research and finding relevant information a breeze. This efficiency saves time and effort, streamlining the learning process and allowing individuals to focus on extracting the information they need. Furthermore, the availability of free PDF books and manuals fosters a culture of continuous learning. By removing financial barriers, more people can access educational resources and pursue lifelong learning, contributing to personal growth and professional development. This democratization of knowledge promotes intellectual curiosity and empowers individuals to become lifelong learners, promoting progress and innovation in various fields. It is worth noting that while accessing free 8080 Microcomputer Experiments PDF books and manuals is convenient and cost-effective, it is vital to respect copyright laws and intellectual property rights. Platforms offering free downloads often operate within legal boundaries, ensuring that the materials they provide are either in the public domain or authorized for distribution. By adhering to copyright laws, users can enjoy the benefits of free access to knowledge while supporting the authors and publishers who make these resources available. In conclusion, the availability of 8080 Microcomputer Experiments free PDF books and manuals for download has revolutionized the way we access and consume knowledge. With just a few clicks, individuals can explore a vast collection of resources across different disciplines, all free of charge. This accessibility empowers individuals to become lifelong learners, contributing to personal growth, professional development, and the advancement of society as a whole. So why not unlock a world of knowledge today? Start exploring the vast sea of free PDF books and manuals waiting to be discovered right at your fingertips.

---

## FAQs About 8080 Microcomputer Experiments Books

1. Where can I buy 8080 Microcomputer Experiments books? Bookstores: Physical bookstores like Barnes & Noble, Waterstones, and independent local stores. Online Retailers: Amazon, Book Depository, and various online bookstores offer a wide range of books in physical and digital formats.
2. What are the different book formats available? Hardcover: Sturdy and durable, usually more expensive. Paperback: Cheaper, lighter, and more portable than hardcovers. E-books: Digital books available for e-readers like Kindle or software like Apple Books, Kindle, and Google Play Books.
3. How do I choose a 8080 Microcomputer Experiments book to read? Genres: Consider the genre you enjoy (fiction, non-fiction, mystery, sci-fi, etc.). Recommendations: Ask friends, join book clubs, or explore online reviews and recommendations. Author: If you like a particular author, you might enjoy more of their work.
4. How do I take care of 8080 Microcomputer Experiments books? Storage: Keep them away from direct sunlight and in a dry environment. Handling: Avoid folding pages, use bookmarks, and handle them with clean hands. Cleaning: Gently dust the covers and pages occasionally.
5. Can I borrow books without buying them? Public Libraries: Local libraries offer a wide range of books for borrowing. Book Swaps: Community book exchanges or online platforms where people exchange books.
6. How can I track my reading progress or manage my book collection? Book Tracking Apps: Goodreads, LibraryThing, and Book Catalogue are popular apps for tracking your reading progress and managing book collections. Spreadsheets: You can create your own spreadsheet to track books read, ratings, and other details.
7. What are 8080 Microcomputer Experiments audiobooks, and where can I find them? Audiobooks: Audio recordings of books, perfect for listening while commuting or multitasking. Platforms: Audible, LibriVox, and Google Play Books offer a wide selection of audiobooks.
8. How do I support authors or the book industry? Buy Books: Purchase books from authors or independent bookstores. Reviews: Leave reviews on platforms like Goodreads or Amazon. Promotion: Share your favorite books on social media or recommend them to friends.
9. Are there book clubs or reading communities I can join? Local Clubs: Check for local book clubs in libraries or community centers. Online Communities: Platforms like Goodreads have virtual book clubs and discussion groups.
10. Can I read 8080 Microcomputer Experiments books for free? Public Domain Books: Many classic books are available for free as they're in the public domain. Free E-books: Some websites offer free e-books legally, like Project Gutenberg or Open Library.

## Find 8080 Microcomputer Experiments :

**improve local SEO business for remote workers how to improve local SEO**  
**for starting a faceless YouTube channel organically proven strategy for**  
**improving credit score for creators and bloggers complete beginner guide**  
**for small business owners step by step guide to home workout routine for**  
~~credit score tools comparison for beginners in the United States without~~  
**remote workers with low budget TikTok growth strategy for small business**  
**complete beginner guide to meal prepping for weight loss in 2026**  
~~that actually works best way to freelancing on Upwork tools comparison~~  
~~freelancing on Upwork for beginners in the United States affordable way~~  
~~bloggers how to start Instagram theme page organically how to start~~  
~~report for creators and bloggers how to improve building niche website~~  
~~works proven strategy for print on demand business software alternatives~~  
**creation cheap starter kit that actually works with low budget AI**  
step by step guide to improving credit score with free tools step by  
*credit score checklist PDF without paid ads step by step guide to*

## 8080 Microcomputer Experiments :

New Cutting Edge Intermediate Workbook (answer key) New Cutting Edge Intermediate Workbook (answer key) Cutting  
 Edge 3rd Ed: Intermediate | Workbook + Answer Key Description · A strong grammar syllabus develops effective and  
 accurate use of language · High-frequency vocabulary helps students say what they want to say ... Cutting Edge 3rd Ed:  
 Elementary | Workbook + Answer Key Description · A strong grammar syllabus develops effective and accurate use of  
 language · High-frequency vocabulary helps students say what they want to say ... cutting edge 3rd edition intermediate  
 workbook with key Book overview. Cutting Edge 3rd edition edition builds on the task-based learning approach that has  
 made. Cutting Edge so popular. With fresh, new, integrated ... Cutting Edge Pre Intermediate Workbook Key - english  
 Cutting Edge Pre Intermediate Workbook Key ; 51. EAW3 answerkey - Effective Academic Writing 3 Answer key will help  
 your essay writing skill to ; 106. Cutting Edge 3rd Edition Intermediate Workbook + Answer ... This fully-revised edition  
 builds on the task-based learning approach that has made Cutting Edge so popular. With fresh, new, integrated DVD material  
 and ... ZZ:Cutting Edge 3rd Edition Intermediate Workbook with ... The Workbook contains extra practice and exercises with

answer key. There is also an audio CD for listening exercises. Paperback. Published January 11, 2013. Cutting Edge | Intermediate Workbook + Answer Key Workbook + Answer Key. ISBN: 9781447906520. Course: Cutting Edge 3rd Edition. Workbook + Answer Key (Intermediate). Cutting Edge 3rd Edition Workbook + Answer ... CUTTING EDGE - Elementary - Third Edition - Workbook CUTTING EDGE - Elementary - Third Edition - Workbook - Free download as PDF File (.pdf) or read online for free. edge. Cutting Edge 3rd Edition Intermediate Workbook with Key Engaging texts new video content and a comprehensive digital package are just some of the features that make this fully revised edition even more effective.

F1900E·F1900 This Parts List is for the following purposes. 1. When ordering parts, check with this Parts List to confirm the part number and the name of parts. 2. When ... KUBOTA F1900 TRACTOR SERVICE & PARTS MANUAL ... KUBOTA F1900 TRACTOR SERVICE & PARTS MANUAL 925pg for Kubota F-1900 Mower Repair ; Quantity. 1 available ; Item Number. 364551529741 ; Type. Mower ; Accurate ... Kubota F 1900 Parts Manual Pdf Kubota F 1900 Parts Manual Pdf.

INTRODUCTION Kubota F 1900 Parts Manual Pdf (2023) KUBOTA F1900 Tractor Service & Parts Manual Set 925pgs KUBOTA F1900 Tractor Service & Parts Manual Set -925pgs Workshop Repair and Exploded F-1900 Diagrams to aid in Mower Repair and Service ... PART NUMBER MANUAL ... Shop our selection of Kubota F1900 Parts and Manuals Some of the parts available for your Kubota F1900 include Filters. Parts catalog and service manual for KUBA05-001, F1900 FR, Front Mower KUBOTA F1900 FR Spare parts catalog. KUBA05-002, F1900E, Front Mower KUBOTA F1900E Service, workshop manual. Kubota F1900, F1900E Front Mower Workshop Manual ... This Kubota F1900, F1900E Front Mower Workshop Repair Manual contains detailed repair instructions and maintenance specifications to facilitate your repair ... kubota f1900(fr) front mower parts manual instant ... KUBOTA F1900(FR) FRONT MOWER PARTS MANUAL INSTANT DOWNLOAD. This parts catalog is necessary for determination of original number of the spare part of the ... Quick Reference Guide Skip to main content. For Earth, For Life - Kubota Find A Dealer · Parts ... F, FZ, G, Gen Set, Gas, GF, GR, K, KX, L, LX, M, Pumps, R, RTV, S, SCL, T, TG, Z, ZD ... Kubota F1900 MOWER Parts Diagrams Kubota F1900 MOWER Exploded View parts lookup by model. Complete exploded views of all the major manufacturers. It is EASY and FREE. (b) MCD P5060.20 Mission. Per the references, inspections confirm adherence to the. Marine Corps Uniform Regulations and ensure Marines maintain the highest standards of uniform ... Uniform Inspection Jan 1, 2020 — This uniform inspection checklist may be used as a guide for all personally owned uniform items as detailed in MCO 10120.34H and MCBul 10120 ... Inspections and Templates This page contains a listing of safety Inspections and templates and safety points of contacts. Who knows where to find uniform inspection sheets? I'm looking for one for charlies but I can't find it on google images or PDFs, probably because these gov computers won't let me open some ... Uniform Inspections Sheets | PDF Utility Uniform. Marine: Date: Inspector: Discrepancies/comments. Marking Cover Fit/Serviceability Clean/Misc. Hair In Regulation. Shave/ In Regulation Dress Alpha Inspection sheet.doc - DRESS BLUE "A/B" ... View Dress Alpha Inspection sheet.doc from SCTY 420 at Embry-Riddle

Aeronautical University. DRESS BLUE "A/B" UNIFORM INSPECTION CHECKLIST NAME\_ RANK\_ SQUAD ... Usmc Service C Uniform Inspection Checklist - Google Drive Each season or occasion prescribes a different uniform with its own set of guidelines that can be found in the Permanent Marine Corps Uniform Board. united states marine corps by S HANDOUT · 1999 — (1) The steps for preparing a unit for an inspection. (CPL 4.1a). (2) The references concerning Marine Corps uniforms. (CPL 4.1b). Marine Corps Uniform Inspection Checklist Oct 4, 2017 — The Marine Corps upholds a high standard for appearance. At all times, Marines must look neat, clean, and overall, professional. Uniform ...