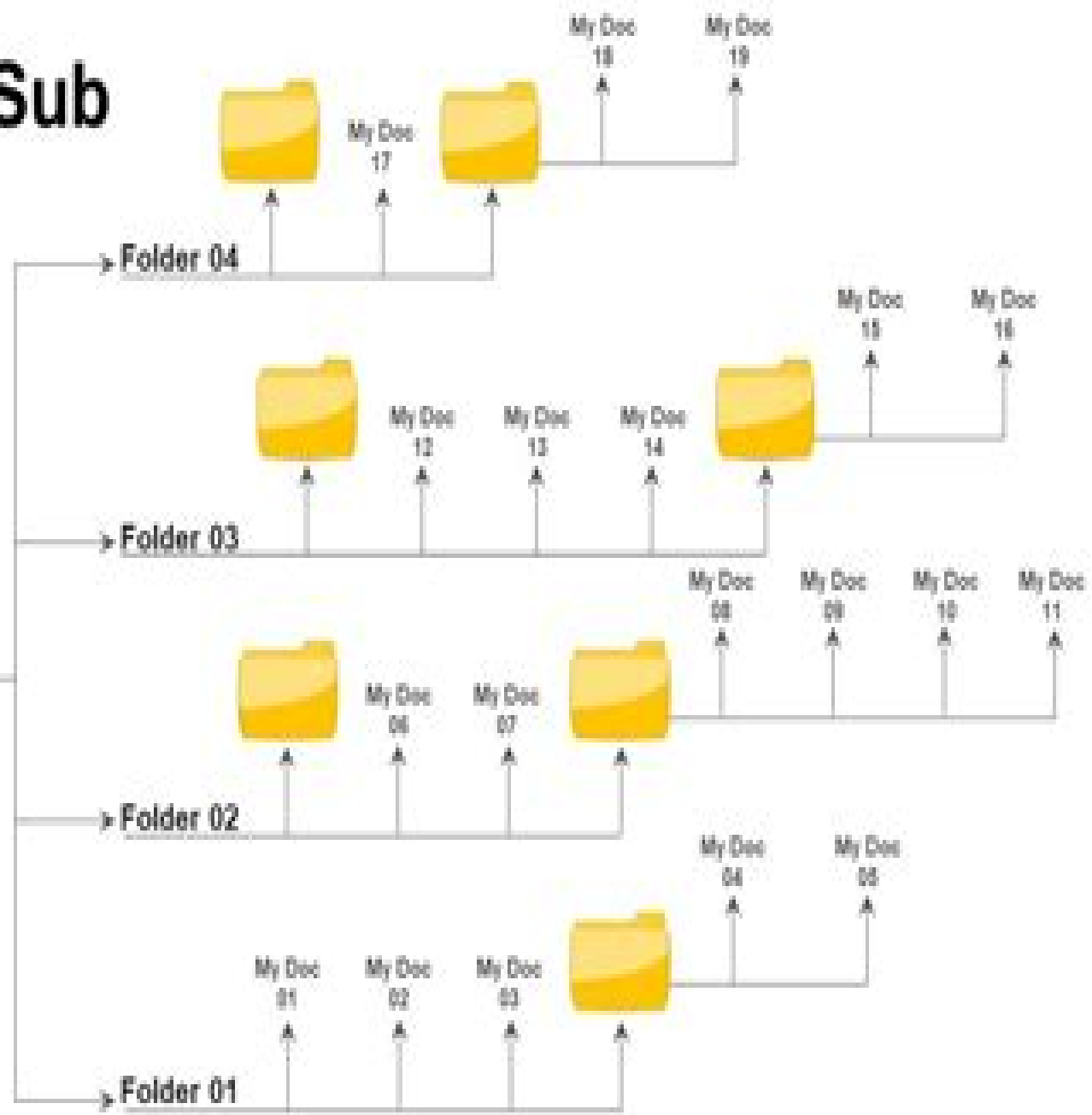


# File Structure Showing Data Sub Folders



This slide is 100% editable. Adapt it to your needs and capture your audience's attention.

# Data Management And File Structures

**BM King**



## **Data Management And File Structures:**

Thank you unconditionally much for downloading **Data Management And File Structures**. Most likely you have knowledge that, people have seen numerous times for their favorite books gone this Data Management And File Structures, but stop up in harmful downloads.

Rather than enjoying a good ebook similar to a mug of coffee in the afternoon, then again they juggled behind some harmful virus inside their computer. **Data Management And File Structures** is open in our digital library an online access to it is set as public thus you can download it instantly. Our digital library saves in combined countries, allowing you to acquire the most less latency times to download any of our books subsequent to this one. Merely said, the Data Management And File Structures is universally compatible considering any devices to read.

[https://www.cruiselady.com/files/scholarship/index.jsp/Billie\\_Holiday\\_Her\\_Life\\_And\\_Times.pdf](https://www.cruiselady.com/files/scholarship/index.jsp/Billie_Holiday_Her_Life_And_Times.pdf)

## **Table of Contents Data Management And File Structures**

1. Understanding the eBook Data Management And File Structures
  - The Rise of Digital Reading Data Management And File Structures
  - Advantages of eBooks Over Traditional Books
2. Identifying Data Management And File Structures
  - Exploring Different Genres
  - Considering Fiction vs. Non-Fiction
  - Determining Your Reading Goals
3. Choosing the Right eBook Platform
  - Popular eBook Platforms
  - Features to Look for in a Data Management And File Structures
  - User-Friendly Interface
4. Exploring eBook Recommendations from Data Management And File Structures
  - Personalized Recommendations
  - Data Management And File Structures User Reviews and Ratings

- Data Management And File Structures and Bestseller Lists
- 5. Accessing Data Management And File Structures Free and Paid eBooks
  - Data Management And File Structures Public Domain eBooks
  - Data Management And File Structures eBook Subscription Services
  - Data Management And File Structures Budget-Friendly Options
- 6. Navigating Data Management And File Structures eBook Formats
  - ePub, PDF, MOBI, and More
  - Data Management And File Structures Compatibility with Devices
  - Data Management And File Structures Enhanced eBook Features
- 7. Enhancing Your Reading Experience
  - Adjustable Fonts and Text Sizes of Data Management And File Structures
  - Highlighting and Note-Taking Data Management And File Structures
  - Interactive Elements Data Management And File Structures
- 8. Staying Engaged with Data Management And File Structures
  - Joining Online Reading Communities
  - Participating in Virtual Book Clubs
  - Following Authors and Publishers Data Management And File Structures
- 9. Balancing eBooks and Physical Books Data Management And File Structures
  - Benefits of a Digital Library
  - Creating a Diverse Reading Collection Data Management And File Structures
- 10. Overcoming Reading Challenges
  - Dealing with Digital Eye Strain
  - Minimizing Distractions
  - Managing Screen Time
- 11. Cultivating a Reading Routine Data Management And File Structures
  - Setting Reading Goals Data Management And File Structures
  - Carving Out Dedicated Reading Time
- 12. Sourcing Reliable Information of Data Management And File Structures
  - Fact-Checking eBook Content of Data Management And File Structures
  - Distinguishing Credible Sources

13. Promoting Lifelong Learning
  - Utilizing eBooks for Skill Development
  - Exploring Educational eBooks
14. Embracing eBook Trends
  - Integration of Multimedia Elements
  - Interactive and Gamified eBooks

### **Data Management And File Structures Introduction**

In the digital age, access to information has become easier than ever before. The ability to download Data Management And File Structures has revolutionized the way we consume written content. Whether you are a student looking for course material, an avid reader searching for your next favorite book, or a professional seeking research papers, the option to download Data Management And File Structures has opened up a world of possibilities. Downloading Data Management And File Structures provides numerous advantages over physical copies of books and documents. Firstly, it is incredibly convenient. Gone are the days of carrying around heavy textbooks or bulky folders filled with papers. With the click of a button, you can gain immediate access to valuable resources on any device. This convenience allows for efficient studying, researching, and reading on the go. Moreover, the cost-effective nature of downloading Data Management And File Structures has democratized knowledge. Traditional books and academic journals can be expensive, making it difficult for individuals with limited financial resources to access information. By offering free PDF downloads, publishers and authors are enabling a wider audience to benefit from their work. This inclusivity promotes equal opportunities for learning and personal growth. There are numerous websites and platforms where individuals can download Data Management And File Structures. These websites range from academic databases offering research papers and journals to online libraries with an expansive collection of books from various genres. Many authors and publishers also upload their work to specific websites, granting readers access to their content without any charge. These platforms not only provide access to existing literature but also serve as an excellent platform for undiscovered authors to share their work with the world. However, it is essential to be cautious while downloading Data Management And File Structures. Some websites may offer pirated or illegally obtained copies of copyrighted material. Engaging in such activities not only violates copyright laws but also undermines the efforts of authors, publishers, and researchers. To ensure ethical downloading, it is advisable to utilize reputable websites that prioritize the legal distribution of content. When downloading Data Management And File Structures, users should also consider the potential security risks associated with online platforms. Malicious actors may exploit vulnerabilities in unprotected websites to distribute malware or steal personal information. To protect themselves, individuals should ensure

their devices have reliable antivirus software installed and validate the legitimacy of the websites they are downloading from. In conclusion, the ability to download Data Management And File Structures has transformed the way we access information. With the convenience, cost-effectiveness, and accessibility it offers, free PDF downloads have become a popular choice for students, researchers, and book lovers worldwide. However, it is crucial to engage in ethical downloading practices and prioritize personal security when utilizing online platforms. By doing so, individuals can make the most of the vast array of free PDF resources available and embark on a journey of continuous learning and intellectual growth.

### **FAQs About Data Management And File Structures Books**

How do I know which eBook platform is the best for me? Finding the best eBook platform depends on your reading preferences and device compatibility. Research different platforms, read user reviews, and explore their features before making a choice. Are free eBooks of good quality? Yes, many reputable platforms offer high-quality free eBooks, including classics and public domain works. However, make sure to verify the source to ensure the eBook credibility. Can I read eBooks without an eReader? Absolutely! Most eBook platforms offer webbased readers or mobile apps that allow you to read eBooks on your computer, tablet, or smartphone. How do I avoid digital eye strain while reading eBooks? To prevent digital eye strain, take regular breaks, adjust the font size and background color, and ensure proper lighting while reading eBooks. What the advantage of interactive eBooks? Interactive eBooks incorporate multimedia elements, quizzes, and activities, enhancing the reader engagement and providing a more immersive learning experience. Data Management And File Structures is one of the best book in our library for free trial. We provide copy of Data Management And File Structures in digital format, so the resources that you find are reliable. There are also many Ebooks of related with Data Management And File Structures. Where to download Data Management And File Structures online for free? Are you looking for Data Management And File Structures PDF? This is definitely going to save you time and cash in something you should think about. If you trying to find then search around for online. Without a doubt there are numerous these available and many of them have the freedom. However without doubt you receive whatever you purchase. An alternate way to get ideas is always to check another Data Management And File Structures. This method for see exactly what may be included and adopt these ideas to your book. This site will almost certainly help you save time and effort, money and stress. If you are looking for free books then you really should consider finding to assist you try this. Several of Data Management And File Structures are for sale to free while some are payable. If you arent sure if the books you would like to download works with for usage along with your computer, it is possible to download free trials. The free guides make it easy for someone to free access online library for download books to your device. You can get free download on free trial for lots of books categories. Our library is the

biggest of these that have literally hundreds of thousands of different products categories represented. You will also see that there are specific sites catered to different product types or categories, brands or niches related with Data Management And File Structures. So depending on what exactly you are searching, you will be able to choose e books to suit your own need. Need to access completely for Campbell Biology Seventh Edition book? Access Ebook without any digging. And by having access to our ebook online or by storing it on your computer, you have convenient answers with Data Management And File Structures To get started finding Data Management And File Structures, you are right to find our website which has a comprehensive collection of books online. Our library is the biggest of these that have literally hundreds of thousands of different products represented. You will also see that there are specific sites catered to different categories or niches related with Data Management And File Structures So depending on what exactly you are searching, you will be able to choose ebook to suit your own need. Thank you for reading Data Management And File Structures. Maybe you have knowledge that, people have search numerous times for their favorite readings like this Data Management And File Structures, but end up in harmful downloads. Rather than reading a good book with a cup of coffee in the afternoon, instead they juggled with some harmful bugs inside their laptop. Data Management And File Structures is available in our book collection an online access to it is set as public so you can download it instantly. Our digital library spans in multiple locations, allowing you to get the most less latency time to download any of our books like this one. Merely said, Data Management And File Structures is universally compatible with any devices to read.

### **Find Data Management And File Structures :**

[billie holiday her life and times](#)

**billy is a big boy are you a big boy too**

[billy casper golf basics volume two vhs tape 1988 casper billy](#)

**bikini beach**

~~big deal the battle for control of americas leading corporations~~

*bigtime piano christmas level 4 intermediate*

[bikiniforbidden paradise](#)

*bill gates helping people use computers*

[big o orgasms how to have them give them and keep them coming](#)

[big scary wolf](#)

~~bilberry a medical dictionary bibliography and annotated research guide to internet references~~

[big play nfl punt pass and kick library](#)

big-jim-turner

big mamas scholastic skills through literature

**biochemical systematics and evolution**

### Data Management And File Structures :

pioneer girl growing up on the prairie growing up andrea warren - Jul 24 2022

web jan 1 2000 pioneer girl growing up on the prairie growing up andrea warren on amazon com free shipping on qualifying offers pioneer girl growing up on the prairie growing up skip to main content us delivering to lebanon 66952 sign in to update your location all

*pioneer girl a true story of growing up on the prairie* - Mar 20 2022

web sep 1 2009 pioneer girl is the true story of grace mccance snyder in 1885 when grace was three she and her family became homesteaders on the windswept prairie of central nebraska they settled into a small sod house and hauled their water in barrels together they endured violent storms drought blizzards and prairie fires

**andrea warren born october 30 1946 american author prabook** - Feb 16 2022

web her honors include the boston globe horn book award for orphan train rider one boy s true story which was also selected as an ala notable book andrea also won the midland authors award for pioneer girl a true story of growing up on the prairie andrea jean warren has also been listed as a notable writer by marquis who s who

**pioneer girl a true story of growing up on the prairie andrea warren** - Aug 05 2023

web pioneer girl a true story of growing up on the prairie university of nebraska press new edition 2009 overview in the little nebraska town where i grew up everything centered around farmers and farming

*pioneer girl growing up on the prairie andrea warren* - Apr 01 2023

web grace s personal story is skillfully woven into the history of america s great westward migration to create a vivid portrait of childhood on the prairie

*a true story of growing up on the prairie by andrea warren* - Sep 25 2022

web pioneer girl a true story of growing up on the prairie by andrea warren sharing the heartbreaks and joys of pioneer life recipient of the midland authors award

pioneer girl a true story of growing up on the prairie warren - Jul 04 2023

web pioneer girl a true story of growing up on the prairie item preview remove circle share or embed this item share to twitter share to facebook share to reddit pioneer girl a true story of growing up on the prairie by warren andrea publication date 2009 topics

**pioneer girl true story by warren andrea abebooks** - Jan 30 2023

web pioneer girl a true story of growing up on the prairie by warren andrea and a great selection of related books art and collectibles available now at abebooks com

[pioneer girl a true story of growing up on the prairie](#) - Jun 03 2023

web sep 1 2009 bibtex endnote refman pioneer girl is the true story of grace mccance snyder in 1885 when grace was three she and her family became homesteaders on the windswept prairie of central nebraska they settled into a small sod house and hauled their water in barrels

**pioneer girl growing up on the prairie book by andrea warren thriftbooks** - May 22 2022

web buy a cheap copy of pioneer girl growing up on the prairie book by andrea warren pioneer girl is the true story of grace mccance snyder in 1885 when grace was three she and her family became homesteaders on the windswept prairie of central

**pioneer girl a true story of growing up on the prairie alibris** - Dec 29 2022

web pioneer girl is the true story of grace mccance snyder in 1885 when grace was three she and her family became homesteaders on the windswept prairie of central nebraska they settled into a small sod house and hauled their water in barrels

**pioneer girl a true story of growing up on the prairie bookshop** - Oct 27 2022

web pioneer girl is the true story of grace mccance snyder in 1885 when grace was three she and her family became homesteaders on the windswept prairie of central nebraska they settled into a small sod house and hauled their water in barrels

*pioneer girl growing up on the prairie warren andrea* - Feb 28 2023

web jan 1 1998 the exciting true story of grace mccance and her family who settled on the lonely windswept prairie of central nebraska in a one room house shows their struggle to survive crop destroying pests deadly winter blizzards and summertime droughts

**a true story of growing up on the prairie by andrea warren** - Apr 20 2022

web looking for a true story of growing up on the prairie by andrea warren read a true story of growing up on the prairie by andrea warren from here check all flipbooks from s a true story of growing up on the prairie by andrea warren looks good

[pioneer girl a true story of growing up on the prairie by andrea](#) - May 02 2023

web sep 1 2009 pioneer girl is the true story of grace mccance snyder in 1885 when grace was three she and her family became homesteaders on the windswept prairie of central nebraska they settled into a small sod house and hauled their water in barrels together they endured violent storms drought

**pioneer girl growing up on the prairie by andrea warren alibris** - Jun 22 2022

web buy pioneer girl growing up on the prairie by andrea warren online at alibris we have new and used copies available in 4 editions starting at 0 99 shop now pioneer girl a true story of growing up on the prairie by andrea warren starting at 1 45 orphan train rider one boy s true story by andrea warren starting at 1 27

**pioneer girl a true story of growing up on the prairie goodreads** - Sep 06 2023

web sep 1 1998 141 ratings24 reviews pioneer girl is the true story of grace mccance snyder in 1885 when grace was three she and her family became homesteaders on the windswept prairie of central nebraska they settled into a small sod house and hauled their water in barrels

**pioneer girl a true story of growing up on the prairie** - Oct 07 2023

web sep 1 2009 pioneer girl is the true story of grace mccance snyder in 1885 when grace was three she and her family became homesteaders on the windswept prairie of central nebraska they settled into a small sod house and hauled their water in barrels

a true story of growing up on the prairie by andrea warren - Aug 25 2022

web apr 30 2015 a true story of growing up on the prairie by andrea warren was published by on 2015 04 30 find more similar flip pdfs like a true story of growing up on the prairie by andrea warren download a true story of growing up on the prairie by andrea warren pdf for free

**andrea warren nebraska authors** - Nov 27 2022

web her 1998 book pioneer girl a true story of growing up on the prairie based on the life of grace snyder of north platte was a 2017 nebraska 150 books award winner the author has her own website

**10 most demanded radiologic technology jobs 2023** - Mar 04 2022

web sep 11 2023 radiologic technologists often called radiographers or x ray techs are the skilled individuals responsible for operating imaging equipment radiologic technology is a dynamic and vital field within healthcare that offers a wide array of career opportunities also do check out top 10 highest paying careers in 2023 why radiologic technology jobs

singapore society of radiographers courses in radiography - Feb 15 2023

web 2020 singapore society of radiographers ang mo kio central post office p o box 765 singapore 915609 uen s58ss0022f

**radiology careers 2023 guide to career paths options salary** - Jun 19 2023

web nov 9 2023 by imed bouchrika phd chief data scientist head of content share the study of radiology is already a complex field with its use of over 20 000 terms associated with disorders and imaging observations and the need to understand more than 50 000 causal relationships arazi 2020

**the radiologic technologist career path rad tech careers** - Aug 09 2022

web nov 10 2023 show me the schools listings updated 11 10 2023 rad tech career paths what exactly does a radiologic

technician do rad tech sometimes called x ray tech is a very versatile profession that can encompass many different sophisticated imaging technologies but focus primarily on performing the tasks involved in producing x ray

**welcome to srs singapore radiological society** - May 06 2022

web the singapore radiological society srs was founded in 1977 it is a not for profit non governmental society of radiologists nuclear medicine physicians and radiation oncologists in singapore the srs has various subsections which represent subspecialties such as interventional radiology neuroradiology and radiation oncology we are

is radiology technician a good career 15 pros and 5 cons - Sep 10 2022

web feb 3 2023 here are 15 reasons becoming a radiology technician can be a rewarding and lucrative career choice 1 minimal schooling requirements many people can become radiology technicians within a year or two of starting their education and training because there are minimal schooling requirements

*become a radiologic technologist guide to career salary* - Nov 12 2022

web mar 21 2023 as of june 2021 all applicants for arrt certification in radiography nuclear medicine technology radiation therapy magnetic resonance imaging or sonography must have graduated from a school that is accredited by a body recognized by the arrt a complete list of those accrediting agencies is available from arrt

**how to become a radiologic technologist forbes advisor** - Jul 20 2023

web nov 15 2023 if you re curious about how to become a radiologic technologist this article offers a detailed rundown we ll review education options explore certifications and specializations and lay out

**49 radiologic technologist jobs in singapore linkedin** - Sep 22 2023

web today s top 49 radiologic technologist jobs in singapore leverage your professional network and get hired new radiologic technologist jobs added daily

64 radiologic technologist jobs in singapore november 2023 - Aug 21 2023

web 60 radiologic technologist jobs in singapore most relevant changi general hospital 3 4 nuclear medicine technologist changi village 42k 49k glassdoor est perform nuclear medicine imaging procedures as

**13 jobs in radiology with salaries and responsibilities** - May 18 2023

web oct 26 2022 jobs in radiology here are 13 jobs for those who want to specialize in radiology click on the salary links for the most up to date salary information from indeed 1 ct scan technologist national average salary 25 306 per year primary duties ct scan technologists create computerized tomographic images of various areas of a

**radiologic technologist explore health care careers mayo** - Mar 16 2023

web radiologic technologists can specialize in many different areas including bone densitometry cardiac interventional radiography computed tomography ct magnetic resonance imaging mri mammography vascular interventional radiography

nuclear medicine sonography work environment

[careers in radiologic technology asrt](#) - Dec 13 2022

web radiologic technologists are medical professionals who perform diagnostic imaging interventional surgeries and radiation therapy treatments learn more about the many specialties responsibilities and careers available to r t s

**radiologic technologist duties salary how to become one** - Apr 17 2023

web sep 6 2023 radiologic technologists use specialized equipment such as x ray and magnetic resonance imaging mri machines to take diagnostic images of patients in effect radiologic technologists pair their knowledge of specialized technology with expert interpersonal skills to provide patients with potentially life saving care

*consider these 6 radiology careers forbes advisor* - Jul 08 2022

web nov 6 2023 radiology manager average annual salary 88 154 minimum required education bachelor s degree in radiologic technology or a related field job overview radiology managers oversee radiology

**radiologic technologist career rankings salary reviews and** - Jan 14 2023

web the bureau of labor statistics projects 6 3 employment growth for radiologic technologists between 2021 and 2031 in that period an estimated 14 100 jobs should open up

[72 radiologic technologist jobs employment november 17](#) - Oct 23 2023

web 72 radiologic technologist jobs available on indeed com apply to x ray technician nuclear medicine technologist sales representative and more

**7 high paying radiology jobs with salaries and duties** - Oct 11 2022

web aug 9 2023 radiology jobs are careers that specialize in diagnostic imagining these careers usually involve equipment such as x rays ultrasounds magnetic resonance imaging mri or computed tomography ct technology professionals in the radiology field use these tools to create images of a patient s organs

[radiology careers radiologist education job descriptions](#) - Apr 05 2022

web some radiology career options include radiologist radiologic technologist radiology nurse radiologist assistant what is a radiologic technologist a radiologic technologist is a healthcare professional who uses sophisticated equipment and computers to take images of patients bodies to help radiologists diagnose diseases and conditions

*what does a radiologic technologist do an inside look at the job* - Jun 07 2022

web nov 15 2021 tuition aid admissions degrees health sciences blog radiologic technology what does a radiologic technologist do an inside look at the job by will erstad on 11 15 2021

[extremely interesting speech topics that are meant](#) - Nov 15 2022

web oct 23 2023 activity 1 speech fluency the purpose of this exercise is for students to practice speaking clearly and

fluently to begin the activity pair students together and  
**talks to watch with kids ted talks** - Dec 04 2021

**how to help your child write a speech without doing it for them** - Feb 06 2022

sex education what is rshe and can parents access curriculum - Oct 02 2021

17 ted talks for kids to inspire little minds to do big - Nov 03 2021

*fun speech topics for kids of all ages write out loud com* - Oct 14 2022

web feb 10 2023 to make a good speech for school choose a theme or topic to focus your speech on so it s easier to write when you re writing your speech stick with simple

**who is mike johnson what to know about the gop** - Jun 29 2021

100 persuasive speech topics for kids lovetoknow - Aug 24 2023

web apr 10 2019 get students started with motivational speech topics for kids that are uplifting and less controversial beginning writers can select simple kids speech topics

*simple speech topics for kids lovetoknow* - Jan 17 2023

web speech topics for kids miscellaneous english speech topics tips to prepare and present a good speech explore multiple english speech topics and go through

130 awesome speech topics for kids my speech class - Sep 25 2023

130 awesome speech topics for kids kids always do best when they are interested every child has different interests therein lies the challenge selecting awesome speech topics for kids skip to content my speech class public speaking tips speech topics menu menu topic persuasive informative see more

**how to make a good speech for school wikihow** - Apr 08 2022

web oct 10 2023 schools for children of military members achieve results rarely seen in public education by sarah mervosh sarah mervosh reported from fort moore ga an

**who runs the best u s schools it may be the defense** - Jul 31 2021

*31 speech topics for year 5 twinkl blog twinkl* - May 21 2023

web using storybooks to teach your child language skills for elementary school children 101 conversation topics for kids  
balancing screen time helping children express

*speech topics in english for students and children* - Aug 12 2022

web aug 15 2022 delivering the speech 4 tips for parents 1 encourage your child to focus on communicating their idea to their audience if they focus on sharing their ideas rather

*public speaking for kids 30 topic ideas for 30 days* - Jun 22 2023

web august 29 2023 develop exceptional public speaking skills using our speech topics for year 5 set to help children develop a range of skills including self confidence

**speech topics for kids** - Apr 20 2023

web fun speech topics for kids of all ages fun speech topics a light hearted list of 60 giggle chortle and smile ideas for humorous speeches suitable for kids of all ages probably

**impromptu speech activities for elementary students thoughtco** - May 09 2022

web oct 23 2023 timothy courtney says the abuse started when he was in year 3 at beaumaris primary school he tells a state inquiry he hopes sharing his story will help

**speech topics for kids byju s** - Jul 11 2022

web jul 27 2022 using rhetoric to your to grab your audience s attention another effective opening a child can use to open their speech is to pose a rhetorical question to their

*101 incredible speech topics for kids speaking schools* - Jul 23 2023

web 16 february 2023 are you looking for some incredible speech topics for kids well you ve come to the right place in this blog post we ll give you 101 amazing ideas for speech

*speech topics for children 8 themed lists* - Mar 19 2023

web sep 19 2018 kids motivational speech topics by gabrielle applebury lmft published september 19 2018 blend images andersen ross brand x pictures via getty images

how to start a speech for kids ssa blog speaking schools - Jan 05 2022

*101 conversation topics for kids myhealth alberta ca* - Feb 18 2023

web 2 list of 100 speech topics for students and children 2 1 list of persuasive speech topics 2 2 list of persuasive speech topics on environment 2 3 speech topics

**kids motivational speech topics lovetoknow** - Sep 13 2022

web feb 16 2023 list of 100 effective speech topics for students children we as a team undergo thorough research about the

various kinds of speech topics for your sake of

**public speaking tips for kids planning with kids** - Dec 16 2022

web public speaking topics for kids here are a few topics that your child can choose from for practicing the art of public speaking topics for kindergarteners who am i me and my

**inquiry into child sex abuse at victorian state primary schools** - Sep 01 2021

*teaching public speaking to kids public speaking topics for* - Jun 10 2022

web oct 24 2023 it is mandatory for rshe to be taught in all schools we expect all schools to teach the full rshe curriculum to secondary age pupils and relationships and health

100 english speech topics for students and children - Mar 07 2022

web 1 day ago 0 32 louisiana republican rep mike johnson a deputy whip and constitutional lawyer known for his fiery exchanges on the house judiciary committee is the fourth