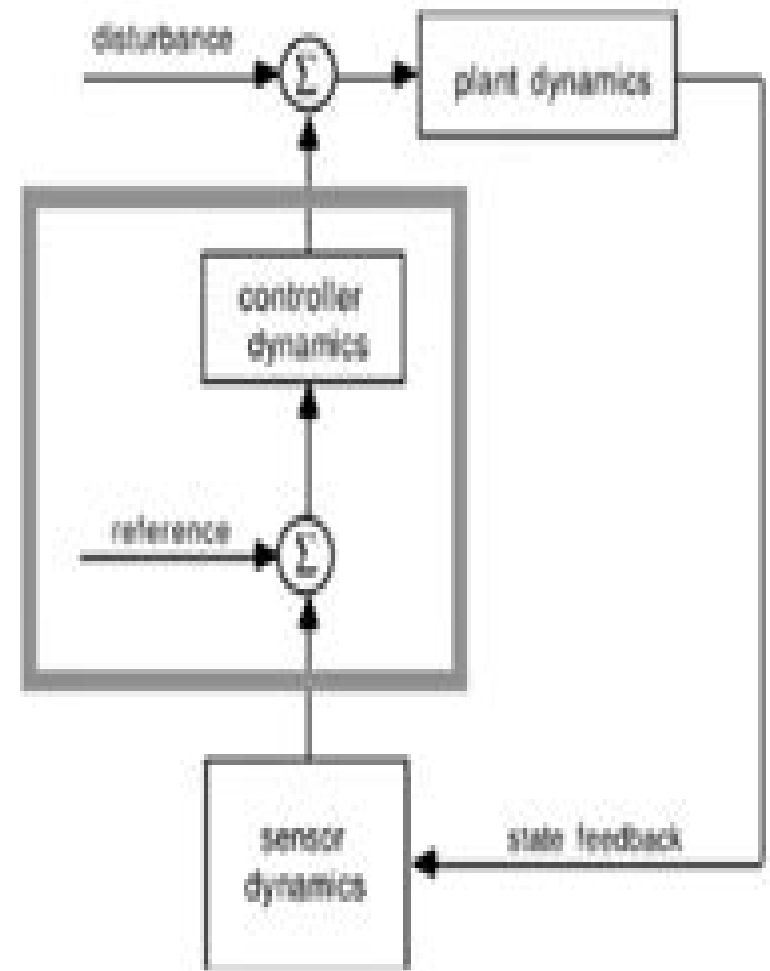
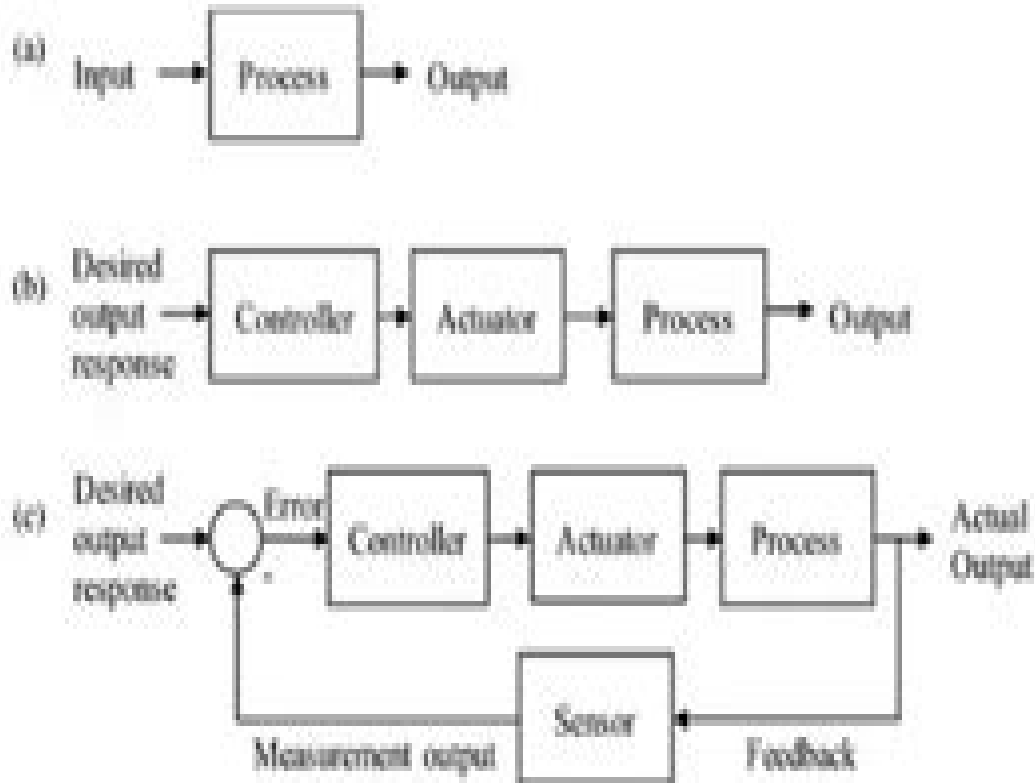


What is Control Engineering?



Electrical 4 U

Control Systems Engineering And Design

C Cleary



Control Systems Engineering And Design:

Embracing the Beat of Expression: An Emotional Symphony within **Control Systems Engineering And Design**

In a world used by screens and the ceaseless chatter of instantaneous transmission, the melodic elegance and mental symphony developed by the published term usually diminish in to the backdrop, eclipsed by the relentless sound and disturbances that permeate our lives. But, set within the pages of **Control Systems Engineering And Design** an enchanting fictional treasure filled with raw feelings, lies an immersive symphony waiting to be embraced. Crafted by an outstanding composer of language, this charming masterpiece conducts readers on a psychological trip, well unraveling the hidden tunes and profound influence resonating within each carefully constructed phrase. Within the depths of this poignant examination, we can explore the book is key harmonies, analyze their enthralling writing fashion, and submit ourselves to the profound resonance that echoes in the depths of readers souls.

<https://www.cruiselady.com/files/publication/HomePages/cromwells%20captains.pdf>

Table of Contents Control Systems Engineering And Design

1. Understanding the eBook Control Systems Engineering And Design
 - The Rise of Digital Reading Control Systems Engineering And Design
 - Advantages of eBooks Over Traditional Books
2. Identifying Control Systems Engineering And Design
 - Exploring Different Genres
 - Considering Fiction vs. Non-Fiction
 - Determining Your Reading Goals
3. Choosing the Right eBook Platform
 - Popular eBook Platforms
 - Features to Look for in an Control Systems Engineering And Design
 - User-Friendly Interface
4. Exploring eBook Recommendations from Control Systems Engineering And Design
 - Personalized Recommendations

- Control Systems Engineering And Design User Reviews and Ratings
- Control Systems Engineering And Design and Bestseller Lists
- 5. Accessing Control Systems Engineering And Design Free and Paid eBooks
 - Control Systems Engineering And Design Public Domain eBooks
 - Control Systems Engineering And Design eBook Subscription Services
 - Control Systems Engineering And Design Budget-Friendly Options
- 6. Navigating Control Systems Engineering And Design eBook Formats
 - ePub, PDF, MOBI, and More
 - Control Systems Engineering And Design Compatibility with Devices
 - Control Systems Engineering And Design Enhanced eBook Features
- 7. Enhancing Your Reading Experience
 - Adjustable Fonts and Text Sizes of Control Systems Engineering And Design
 - Highlighting and Note-Taking Control Systems Engineering And Design
 - Interactive Elements Control Systems Engineering And Design
- 8. Staying Engaged with Control Systems Engineering And Design
 - Joining Online Reading Communities
 - Participating in Virtual Book Clubs
 - Following Authors and Publishers Control Systems Engineering And Design
- 9. Balancing eBooks and Physical Books Control Systems Engineering And Design
 - Benefits of a Digital Library
 - Creating a Diverse Reading Collection Control Systems Engineering And Design
- 10. Overcoming Reading Challenges
 - Dealing with Digital Eye Strain
 - Minimizing Distractions
 - Managing Screen Time
- 11. Cultivating a Reading Routine Control Systems Engineering And Design
 - Setting Reading Goals Control Systems Engineering And Design
 - Carving Out Dedicated Reading Time
- 12. Sourcing Reliable Information of Control Systems Engineering And Design
 - Fact-Checking eBook Content of Control Systems Engineering And Design

- Distinguishing Credible Sources
- 13. Promoting Lifelong Learning
 - Utilizing eBooks for Skill Development
 - Exploring Educational eBooks
- 14. Embracing eBook Trends
 - Integration of Multimedia Elements
 - Interactive and Gamified eBooks

Control Systems Engineering And Design Introduction

In this digital age, the convenience of accessing information at our fingertips has become a necessity. Whether its research papers, eBooks, or user manuals, PDF files have become the preferred format for sharing and reading documents. However, the cost associated with purchasing PDF files can sometimes be a barrier for many individuals and organizations. Thankfully, there are numerous websites and platforms that allow users to download free PDF files legally. In this article, we will explore some of the best platforms to download free PDFs. One of the most popular platforms to download free PDF files is Project Gutenberg. This online library offers over 60,000 free eBooks that are in the public domain. From classic literature to historical documents, Project Gutenberg provides a wide range of PDF files that can be downloaded and enjoyed on various devices. The website is user-friendly and allows users to search for specific titles or browse through different categories. Another reliable platform for downloading Control Systems Engineering And Design free PDF files is Open Library. With its vast collection of over 1 million eBooks, Open Library has something for every reader. The website offers a seamless experience by providing options to borrow or download PDF files. Users simply need to create a free account to access this treasure trove of knowledge. Open Library also allows users to contribute by uploading and sharing their own PDF files, making it a collaborative platform for book enthusiasts. For those interested in academic resources, there are websites dedicated to providing free PDFs of research papers and scientific articles. One such website is Academia.edu, which allows researchers and scholars to share their work with a global audience. Users can download PDF files of research papers, theses, and dissertations covering a wide range of subjects. Academia.edu also provides a platform for discussions and networking within the academic community. When it comes to downloading Control Systems Engineering And Design free PDF files of magazines, brochures, and catalogs, Issuu is a popular choice. This digital publishing platform hosts a vast collection of publications from around the world. Users can search for specific titles or explore various categories and genres. Issuu offers a seamless reading experience with its user-friendly interface and allows users to download PDF files for offline reading. Apart from dedicated platforms, search engines also play a crucial role in finding free PDF files. Google, for

instance, has an advanced search feature that allows users to filter results by file type. By specifying the file type as "PDF," users can find websites that offer free PDF downloads on a specific topic. While downloading Control Systems Engineering And Design free PDF files is convenient, its important to note that copyright laws must be respected. Always ensure that the PDF files you download are legally available for free. Many authors and publishers voluntarily provide free PDF versions of their work, but its essential to be cautious and verify the authenticity of the source before downloading Control Systems Engineering And Design. In conclusion, the internet offers numerous platforms and websites that allow users to download free PDF files legally. Whether its classic literature, research papers, or magazines, there is something for everyone. The platforms mentioned in this article, such as Project Gutenberg, Open Library, Academia.edu, and Issuu, provide access to a vast collection of PDF files. However, users should always be cautious and verify the legality of the source before downloading Control Systems Engineering And Design any PDF files. With these platforms, the world of PDF downloads is just a click away.

FAQs About Control Systems Engineering And Design Books

1. Where can I buy Control Systems Engineering And Design books? Bookstores: Physical bookstores like Barnes & Noble, Waterstones, and independent local stores. Online Retailers: Amazon, Book Depository, and various online bookstores offer a wide range of books in physical and digital formats.
2. What are the different book formats available? Hardcover: Sturdy and durable, usually more expensive. Paperback: Cheaper, lighter, and more portable than hardcovers. E-books: Digital books available for e-readers like Kindle or software like Apple Books, Kindle, and Google Play Books.
3. How do I choose a Control Systems Engineering And Design book to read? Genres: Consider the genre you enjoy (fiction, non-fiction, mystery, sci-fi, etc.). Recommendations: Ask friends, join book clubs, or explore online reviews and recommendations. Author: If you like a particular author, you might enjoy more of their work.
4. How do I take care of Control Systems Engineering And Design books? Storage: Keep them away from direct sunlight and in a dry environment. Handling: Avoid folding pages, use bookmarks, and handle them with clean hands. Cleaning: Gently dust the covers and pages occasionally.
5. Can I borrow books without buying them? Public Libraries: Local libraries offer a wide range of books for borrowing. Book Swaps: Community book exchanges or online platforms where people exchange books.
6. How can I track my reading progress or manage my book collection? Book Tracking Apps: Goodreads, LibraryThing,

and Book Catalogue are popular apps for tracking your reading progress and managing book collections. Spreadsheets: You can create your own spreadsheet to track books read, ratings, and other details.

7. What are Control Systems Engineering And Design audiobooks, and where can I find them? Audiobooks: Audio recordings of books, perfect for listening while commuting or multitasking. Platforms: Audible, LibriVox, and Google Play Books offer a wide selection of audiobooks.
8. How do I support authors or the book industry? Buy Books: Purchase books from authors or independent bookstores. Reviews: Leave reviews on platforms like Goodreads or Amazon. Promotion: Share your favorite books on social media or recommend them to friends.
9. Are there book clubs or reading communities I can join? Local Clubs: Check for local book clubs in libraries or community centers. Online Communities: Platforms like Goodreads have virtual book clubs and discussion groups.
10. Can I read Control Systems Engineering And Design books for free? Public Domain Books: Many classic books are available for free as they're in the public domain. Free E-books: Some websites offer free e-books legally, like Project Gutenberg or Open Library.

Find Control Systems Engineering And Design :

eromwells-captains

critique of pure reason 2vol

critical miscellaneous essays new edition

critical theory and practice of the pleiade

~~cross-national research social-psychological methods and problems~~

critical ibues in restorative justice

critical survey of poetry

crocodiles and alligators young discovery library

cross-cultural rehabilitation

crisis of industrial society

crisp toasts

critical essays on james merrill

crisis in the making the political economy of new york state since 1945

croce the king and the allies

croch stitch for special occasions

Control Systems Engineering And Design :

roger hickman reel music pgs cyberlab sutd edu sg - Oct 21 2022

roger hickman reel music pgs american publishers circular and literary gazette jun 14 2021 billboard jun 26 2022 in its 114th year billboard remains the world s premier weekly music publication and a diverse digital events brand content and data licensing platform billboard publishes the most trusted charts and offers unrivaled

roger hickman reel music pgs help environment harvard edu - Mar 14 2022

roger hickman reel music pgs thank you for reading roger hickman reel music pgs maybe you have knowledge that people have search numerous times for their favorite novels like this roger hickman reel music pgs but end up in harmful downloads rather than enjoying a good book with a cup of coffee in the afternoon instead they cope with

reel music roger hickman w w norton company - Aug 31 2023

the 1 film music text now with more attention to international films reel music exploring 100 years of film music roger hickman 9780393937664

reel music exploring 100 years of film music hickman roger - Oct 01 2023

reel music exploring 100 years of film music by hickman roger publication date 2006 topics motion picture music history and criticism publisher new york w w norton

roger hickman reel music pgs pdf uniport edu - Sep 19 2022

mar 8 2023 roger hickman reel music pgs 1 12 downloaded from uniport edu ng on march 8 2023 by guest roger hickman reel music pgs as recognized adventure as competently as experience nearly lesson amusement as without difficulty as treaty can be gotten by just checking out a ebook roger hickman reel music pgs then it is not directly done you could

roger hickman reel music pgs pdf blueskywildlife - Nov 21 2022

reel music roger hickman 2006 reel music provides a thorough introduction to the basic terms and concepts students need to explore the significance of music in combination with film and dramatic performance covering both popular and symphonic film scores from the late nineteenth century to 2004 reel music avoids overwhelming students with

reel music exploring 100 years of film music second edition roger - Jun 28 2023

reel music exploring 100 years of film music second edition author roger hickman edition 2 publisher w w norton 2017 isbn 0393622908 9780393622904 length 656 pages export citation bibtex endnote refman

reel music exploring 100 years of film music by roger hickman goodreads - Feb 22 2023

jun 10 2005 roger hickman 3 62 77 ratings5 reviews reel music provides an in depth chronological overview of music s role

in film from the birth of the medium to the present ideal for nonmajors the text introduces the basic elements of music and narrative film to help beginners appreciate the combined artistic effects of the two forms

roger hickman reel music pgs webdisk gestudy byu edu - Jan 24 2023

feb 27 2023 roger hickman reel music pgs can be taken as competently as picked to act hearing the movies james buhler 2015 04 01 hearing the movies second edition combines a historical and chronological approach to the study of film music and sound with an emphasis on building listening skills through engaging accessible analyses and exercises the

roger hickman reel music pgs ai classmonitor com - Jul 18 2022

2 roger hickman reel music pgs 2022 09 03 essential cell biology rowman littlefield publishers in this book roger hickman focuses on the confluence of traditions trends and innovations that shaped one of film s greatest scores calculations in chemistry w w norton

roger hickman reel music pgs mail lafamigliawv com - Feb 10 2022

4 roger hickman reel music pgs 2023 03 09 powerful lyrics and put your songs in the spotlight where they belong film music a history rosettabooks llc lavish musical soundtracks contributed a special grandeur to the new widescreen stereophonic sound movie experience of postwar biblical epics such as samson and delilah ben hur and quo vadis in

roger hickman reel music pgs pdf old botswanalaws - May 16 2022

allow roger hickman reel music pgs and numerous book collections from fictions to scientific research in any way accompanied by them is this roger hickman reel music pgs that can be your partner roger hickman reel music pgs downloaded from old botswanalaws com by guest jayce oneill music in the nineteenth century w w

reel music exploring 100 years of film music google books - May 28 2023

roger hickman w w norton 2006 music 526 pages reel music provides a thorough introduction to the basic terms and concepts students need to explore the significance of music in combination with film and dramatic performance

reel music exploring 100 years of film music roger hickman - Apr 26 2023

reel music exploring 100 years of film music roger hickman google books reel music revised for a new generation of movie lovers tells the story of film music through iconic scenes the second edition features more in depth exploration of international films from classics like seven samurai to more recent works like run lola run as

roger hickman reel music pgs mirror mercatornet com - Jun 16 2022

feb 27 2023 like this one merely said the roger hickman reel music pgs is universally compatible in the same way as any devices to read the diary of orville hickman browning orville hickman browning 1927 memoirs of extraordinary popular delusions and the madness of crowds charles mackay 1852

roger hickman reel music pgs edms ncdmb gov ng - Apr 14 2022

roger hickman reel music pgs reel music exploring 100 years of film music book 2006 roger hickman reel music meitalzanohareli april 6th 2018 roger hickman reel music reel music exploring 100 years of film music by roger hickman reel music has 45 ratings and 2 reviews franz said pretty good book about film music in *reel music exploring 100 years of film music hickman roger* - Mar 26 2023

april 28 2017 the 1 film music text now with more attention to international films reel music revised for a new generation of movie lovers tells the story of film music through iconic scenes

reel music exploring 100 years of film music hickman roger - Dec 23 2022

april 28 2017 reel music exploring 100 years of film music paperback april 28 2017 by roger hickman author 4 6 174 ratings see all formats and editions reel music revised for a new generation of movie lovers tells the story of film music through iconic scenes the second edition features more in depth exploration of international films from

roger hickman reel music pgs copy helpdesk bricksave - Aug 19 2022

roger hickman reel music pgs film music a very short introduction a history of film music complete guide to film scoring music in the medieval west social psychology scoring the screen the norton anthology of theory and criticism writing better lyrics all you need to know about the music business seventh edition born to run

pdf reel music exploring 100 years of film music download - Jul 30 2023

feb 2 2023 if you are still wondering how to get free pdf of book reel music exploring 100 years of film music by roger hickman click on below buttons to start download reel music exploring 100 years of film music by roger hickman pdf without registration

miso tempeh natto other tasty ferments a step by - Oct 23 2023

web jun 25 2019 best selling fermentation authors kirsten and christopher shockey explore a whole new realm of probiotic superfoods with miso tempeh natto other tasty

miso tempeh natto other tasty ferments a step by step - Apr 05 2022

web jun 27 2019 miso tempeh natto other tasty ferments a step by step guide to fermenting grains and beans kirsten k shockey and christopher shockey miso

behind the scenes of miso tempeh natto and other tasty - Aug 09 2022

web feb 2 2020 this video is a conversation about the making of the book miso tempeh natto and other tasty ferments it is an invitation to meet us as fermentation

miso tempeh natto other tasty ferments a step by step - Feb 03 2022

web buy miso tempeh natto other tasty ferments a step by step guide to fermenting grains and beans illustrated by shockey k kirsten isbn 9781612129884 from

[miso tempeh natto other tasty ferments a step by step](#) - Jan 14 2023

web their ferments feature creative combinations such as ancient grains tempeh hazelnut cocoa nib tempeh millet koji sea island red pea miso and heirloom cranberry bean

miso tempeh natto and other tasty ferments booktopia - Sep 10 2022

web aug 1 2019 booktopia has miso tempeh natto and other tasty ferments step by step guide to fermenting grains and beans for umami and health by kirsten k

miso tempeh natto and other tasty ferments a step by step - Mar 16 2023

web isbn13 9781612129884 isbn10 1612129889 all product details synopses reviews publisher comments bestselling fermentation authors kirsten and christopher shockey

miso tempeh natto other tasty ferments by kirsten k - Nov 12 2022

web chapter 4 getting started spontaneous ferments chapter 5 natto and its alkaline cousins chapter 6 tempeh and other indonesian ferments chapter 7 koji chapter

miso tempeh natto other tasty ferments by shockey - Feb 15 2023

web jun 25 2019 2019 foreword indies winner best selling fermentation authors kirsten and christopher shockey explore a whole new realm of probiotic superfoods with miso

miso tempeh natto other tasty ferments a - Oct 11 2022

web best selling fermentation authors kirsten and christopher shockey explore a whole new realm of probiotic superfoods with miso tempeh natto other tasty ferments this

miso tempeh natto other tasty ferments a step by step - Mar 04 2022

web jun 25 2019 christopher shockey is a coauthor of fiery ferments best selling fermented vegetables and forthcoming miso tempeh natto and other tasty

miso tempeh natto other tasty ferments a step by step - Jul 08 2022

web miso tempeh natto other tasty ferments a step by step guide to fermenting grains and beans by shockey k kirsten at abebooks co uk isbn 10 1612129889

miso tempeh natto other tasty ferments a step by - Apr 17 2023

web 6 rows jun 25 2019 2019 foreword indies winner best selling fermentation authors kirsten and christopher shockey

miso tempeh natto other tasty ferments a step by step - Sep 22 2023

web miso tempeh natto other tasty ferments a step by step guide to fermenting grains and beans shockey kirsten k shockey christopher zilber david

miso tempeh natto other tasty ferments google books - Jul 20 2023

web 8 rows jun 25 2019 best selling fermentation authors kirsten and christopher shockey explore a whole new realm of **miso tempeh natto other tasty ferments a step by** - Jun 19 2023

web jun 25 2019 paperback 22 49 27 used from 16 49 23 new from 18 49 best selling fermentation authors kirsten and christopher shockey explore a whole new realm of

miso tempeh natto other tasty ferments a step by step - Dec 13 2022

web paperback price 29 95 add to cart overview 2020 iacp cookbook award finalist 2019 foreword indies winner best selling fermentation authors kirsten and christopher

miso tempeh natto other tasty ferments a step by step - Jun 07 2022

web miso tempeh natto other tasty ferments a step by step guide to fermenting grains and beans by kirsten k shockey and christopher shockey 408 pages 8x10

miso tempeh natto other tasty ferments livebrary com - May 06 2022

web details best selling fermentation authors kirsten and christopher shockey explore a whole new realm of probiotic superfoods with miso tempeh natto other tasty ferments

miso tempeh natto other tasty ferments storey - May 18 2023

web best selling fermentation authors kirsten and christopher shockey explore a whole new realm of probiotic superfoods with miso tempeh natto other tasty ferments this

miso tempeh natto other tasty ferments a step by s - Aug 21 2023

web jun 25 2019 miso tempeh natto other tasty ferments a step by step guide to fermenting grains and beans kirsten k shockey christopher shockey 4 42 85

pour une écologie de l attention by yves citton - Nov 25 2021

web l cologie pour les nuls cdurable info lessentiel du pour une cologie de l ducation standandard boekhandel yves citton pour une cologie de lattention yves citton pour une cologie populaire 2 cathos ecolos pdf trajectoire et potentiel de l agro cologie

pour une écologie de l attention by yves citton - Oct 25 2021

web de littérature à l université de grenoble et co directeur de la revue multitudes il a notamment publié renverser l insoutenable seuil 2012 et dirigé un ouvrage collectif intitulé l Économie de l attention

pour une a c cologie de l attention copy uniport edu - Dec 27 2021

web apr 9 2023 ouvrage etablit une sequence de reference pour l holocene recent du pays dogon mali entre 2500 et 500 av j c dans un contexte de recherches pluridisciplinaires ce travail a ete realise avec l objectif d elaborer un

synonyme une attention particulière dictionnaire synonymes - Oct 05 2022

web faire attention v faire gaffe marcher sur des noix marcher sur des œufs mettre des gants prendre garde prendre ses

précautions ne plus surveiller avec attention v avoir le dos tourné retenir l attention v attirer l attention attirer le regard attirer l œil

[pour une écologie de l attention by yves citton](#) - Mar 10 2023

web pour une écologie de l attention by yves citton pour une écologie de l attention by yves citton greta thunberg lassemble pour une cologie de raison lcologie est elle ni de gauche ni de droite le pour une cologie de l ducation standaard boekhandel le 1

à l attention de ou à l intention de projet voltaire - Nov 06 2022

web feb 5 2017 bonjour auriane c est à l attention de qui convient ici car vous pouvez remplacer par faire un signe de tête à l adresse de quelqu un mais pas en l honneur de quelqu un ce serait accorder bien trop de bienveillance à un simple signe de tête

[pour une écologie de l attention semantic scholar](#) - Jul 14 2023

web pour une écologie de l attention inproceedings citton2014pouuru title pour une e cologie de l attention author yves citton year 2014 yves citton published 9 january 2014 sociology

à l attention de ou à l intention de le conjugueur - Mar 30 2022

web mar 10 2021 la règle a l attention de s utilise pour préciser le destinataire d un courrier on le met en tête de lettre on envoie donc une lettre à l attention de sa tante Évelyne pour bien choisir on peut remplacer à l attention de par à l adresse de

À l attention de ou à l intention de la langue française - Sep 04 2022

web aug 30 2023 on écrit à l attention de on écrira à l attention de au début d une lettre pour adresser cette lettre à quelqu un on la porte à son attention en effet attention vient du latin attentio signifiant l action de tendre l esprit vers quelque

pour une a c cologie de l attention pdf uniport edu - Dec 07 2022

web aug 2 2023 dans un premier temps les théories générales sur la prise de risques et les théories de la décision issues de la psychologie générale et différentielle afin de montrer comment elles expliquent nos attitudes face

pour une a c cologie de l attention 2022 ftp bonide - Feb 09 2023

web animale à lacollapsologie c est l objet de ce livre de l homme augmenté à l homme jetable de la réforme de l entreprise à la crise de la démocratie de la crise de l habiter à l éloge de la lenteur ou du silence cet essai nous invite à repenser

pour une a c cologie de l attention pdf uniport edu - Aug 03 2022

web apr 19 2023 de l agriculture sur le continent a partir d une synthese des donnees archeologiques issues de plusieurs annees de prospections et de fouilles cet ouvrage etablit une sequence de reference pour l holocene recent du pays dogon mali entre

pour une écologie de l attention yve editions seuil - Aug 15 2023

web yves citton Économie de l'attention incapacité de se concentrer armes de distraction massive googlisation des esprits d'innombrables publications dénoncent le déferlement d'images et d'informations qui de la télévision à internet en passant par les jeux vidéo

pour une a c cologie de l attention - Jan 08 2023

web we allow pour une a c cologie de l attention and numerous books collections from fictions to scientific research in any way among them is this pour une a c cologie de l attention that can be your partner scientia 1970 la revue des revues 1988

pour une a c cologie de l attention uniport edu - Feb 26 2022

web pour une a c cologie de l attention 1 11 downloaded from uniport edu ng on april 28 2023 by guest pour une a c cologie de l attention yeah reviewing a books pour une a c cologie de l attention could accumulate your close connections listings this is just

pour une a c cologie de l attention download only ci kubesail - May 12 2023

web pour une a c cologie de l attention 1 pour une a c cologie de l attention comment la terre s'est tue travaux pratiques d'écologie pour une écologie du sensible de nouveaux défis pour l'écologie politique abécédaire de l'écologie joyeuse l'écologie des autres

pour une a c cologie de l attention htaccess guide - Apr 30 2022

web mar 19 2023 il est urgent de se livrer à une étude précise de la mondialisation en cours et de ses conséquences sur l'ensemble des échelles pertinentes mais aussi de manifester une attention renouvelée aux lieux moins différents et plus proches les uns des autres

À l'attention de le conjugueur - Jun 01 2022

web voici la réponse la mention à l'attention de s'utilise en tête de lettre pour préciser un destinataire et lui signaler qu'un document lui est envoyé pour qu'il l'examine la mention à l'attention de va plus loin que seulement adresser un courrier puisqu'elle signifie

une attention particulière traduction anglaise liguee - Jan 28 2022

web de très nombreux exemples de phrases traduites contenant une attention particulière dictionnaire anglais français et moteur de recherche de traductions anglaises

pour une a c cologie de l attention pdf zuzutop com - Apr 11 2023

web pour une a c cologie de l attention when somebody should go to the book stores search start by shop shelf by shelf it is in reality problematic this is why we allow the book compilations in this website it will agreed ease you to look guide pour une a c cologie

pour une a c cologie de l attention - Jun 13 2023

web les ouvrages de cours magistral sont des cours c est à dire une exposition du droit positif à l intention des étudiants et des praticiens du droit mais leur cours se veut magistral en ce que les débats d idées la prise de position et une bibliographie **pour une a c cologie de l attention pdf** - Jul 02 2022

web après avoir conclu à l incapacité actuelle du droit international à sauvegarder les ressources planétaires en eau douce et à en assurer la juste et équitable distribution l auteure démontre la nécessité d échapper à la logique marchande et de considérer l accès à

pour une écologie de l attention by yves citton - Sep 23 2021

web lattention yves citton le ministre de l cologie ptait prendre l avion pour un l cologie slideshare 7 bonnes raisons de se mettre lcologie magazine cologie l cologie c est quoi une dfinition de l extrait l agroecologie une thique de vie by actes sud lagroecologie un