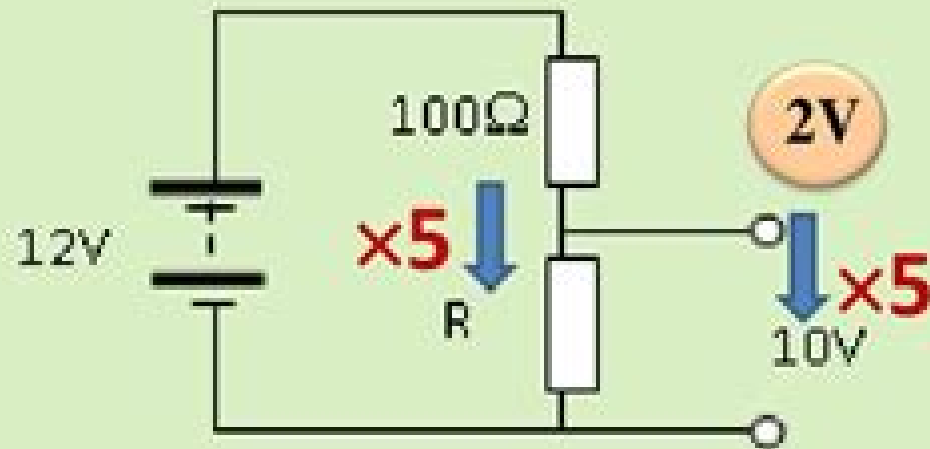


Advanced Circuit Analysis

12. What is R?



Method 1 – Every reliable formula

$$R_{out} = ? \quad V_{in} = 12V \quad V_{out} = 10V \quad R_D = 100 \Omega$$

$$R_{out} = \frac{V_{out} R_D}{V_{in} - V_{out}}$$

$$R_{out} = \frac{10 \times 100}{12 - 10}$$

$$R_{out} = 500 \Omega$$

Method 2 – Ratios on the diagram

Using the ratios on the diagram

$$R = 100 \times 2 = 500 \Omega$$

Advanced Circuit Analysis

Randall W. Jensen, Mark D. Lieberman



Advanced Circuit Analysis:

Essentials of Advanced Circuit Analysis Djafar K. Mynbaev, 2024-03-12 ESSENTIALS OF ADVANCED CIRCUIT ANALYSIS Comprehensive textbook answering questions regarding the Advanced Circuit Analysis subject including its theory experiment and role in modern and future technology Essentials of Advanced Circuit Analysis focuses on fundamentals with the balance of a systems theoretical approach and current technological issues The book aims to achieve harmony between simplicity engineering practicality and perceptivity in the material presentation Each chapter presents its material on various levels of technological and mathematical difficulty broadening the potential readership and making the book suitable for both engineering and engineering technology curricula Essentials of Advanced Circuit Analysis is an instrument that will introduce our readers to real life engineering problems why they crop up and how they are solved The text explains the need for a specific task shows the possible approaches to meeting the challenge discusses the proper method to pursue finds the solution to the problem and reviews the solution s correctness the options of its obtaining and the limitations of the methods and the results Essentials of Advanced Circuit Analysis covers sample topics such as Traditional circuit analysis s methods and techniques concentrating on the advanced circuit analysis in the time domain and frequency domain Application of differential equations for finding circuits transient responses in the time domain and classical solution integration of circuit s differential equation including the use of the convolution integral Laplace and Fourier transforms as the main modern methods of advanced circuit analysis in the frequency domain Essentials of Advanced Circuit Analysis is an ideal textbook and can be assigned for electronics signals and systems control theory and spectral analysis courses It s also valuable to industrial engineers who want to brush up on a specific advanced circuit analysis topic

Advanced Circuit Analysis and Design H Michael Thomas, 2014-04-08 This book is intended to be a follow on to a basic circuit analysis text that can be offered in an upper level term It could also be used by students as supplementary material for self study and as an additional source of information Problem solutions are provided for all the problems in the book in order to provide the student with an extensive source of worked examples The book covers advanced circuit analysis using the Laplace transform system analysis in the frequency domain using Bode plots and the design of passive and active filter circuits Visit author Facebook Page at facebook com HMichaelThomas Books

Advanced Circuit Analysis Paul E. Bennett, 1992 A student friendly introduction to the basics of electric circuit analysis this sophomore level text covers traditional material as well as such modern topics as op amps and the use of digital computers for circuit analysis The presentation is very lucid and thorough with clearer and more complete explanations of Kirchoff s laws and nodal analysis than in comparable texts Bobrow also places greater emphasis on signals and waveforms This text features evaluation of initial conditions phasor diagrams and coverage of SPICE

Advanced Electrical Circuit Analysis Mehdi Rahmani-Andebili, 2021-07-21 This study guide is designed for students taking advanced courses in electrical circuit analysis The book includes examples questions and

exercises that will help electrical engineering students to review and sharpen their knowledge of the subject and enhance their performance in the classroom Offering detailed solutions multiple methods for solving problems and clear explanations of concepts this hands on guide will improve student s problem solving skills and basic understanding of the topics covered in electric circuit analysis courses Advanced Circuit Analysis I (Laboratory Manual), 2005 *AC Electrical Circuit Analysis* Mehdi Rahmani-Andebili, 2021-01-04 This study guide is designed for students taking courses in electrical circuit analysis The textbook includes examples questions and exercises that will help electrical engineering students to review and sharpen their knowledge of the subject and enhance their performance in the classroom Offering detailed solutions multiple methods for solving problems and clear explanations of concepts this hands on guide will improve student s problem solving skills and basic understanding of the topics covered in electric circuit analysis courses Exercises cover a wide selection of basic and advanced questions and problems Categorizes and orders the problems based on difficulty level hence suitable for both knowledgeable and under prepared students Provides detailed and instructor recommended solutions and methods along with clear explanations Can be used along with the core textbooks in AC circuit analysis and advanced electrical circuit analysis Advanced Electrical Circuits Analysis Mehdi Rahmani-Andebili, 2025-11-27 This study guide is designed for both groups of instructors and students enrolled in advanced electrical circuit analysis courses The textbook includes problems with detailed solutions to help students understand the subjects in depth It features partially solved exercises that encourage practice while guiding students through the problem solving process and providing hints for the required formulas Additionally it offers exercises with final answers to motivate students to practice independently while also aiding instructors in creating tests or quizzes The material covered in the book includes the state equations of electrical circuits circuit analysis in Laplace domain network function and its applications and theorems in Laplace domain zero and nonzero natural frequencies of a circuit zeros and poles of network function of a circuit and damping status of an electrical circuit linear time invariant LTI networks and applications of Tellegen s Theorem for LTI networks impedance admittance hybrid and transmission matrices of a two port network and series parallel and cascade connections of two port networks *Practical Analysis of Advanced Electronic Circuits Through Experimentation* Lorne MacDonald, 1984 *Electronic Circuit Analysis and Design* William Hart Hayt, Gerold W. Neudeck, 1984 *Advanced Circuit Simulation Using Multisim Workbench* David Baez-Lopez, Félix E. Guerrero-Castro, Ofelia Delfina Cervantes-Villagómez, 2022-06-01 Multisim is now the de facto standard for circuit simulation It is a SPICE based circuit simulator which combines analog discrete time and mixed mode circuits In addition it is the only simulator which incorporates microcontroller simulation in the same environment It also includes a tool for printed circuit board design *Advanced Circuit Simulation Using Multisim Workbench* is a companion book to *Circuit Analysis Using Multisim* published by Morgan Claypool in 2011 This new book covers advanced analyses and the creation of models and subcircuits It also includes coverage of transmission lines the special elements which are used to connect

components in PCBs and integrated circuits Finally it includes a description of Ultiboard the tool for PCB creation from a circuit description in Multisim Both books completely cover most of the important features available for a successful circuit simulation with Multisim Table of Contents Models and Subcircuits Transmission Lines Other Types of Analyses Simulating Microcontrollers PCB Design With Ultiboard

DC Electrical Circuit Analysis Mehdi Rahmani-Andebili,2020-10-09 This study guide is designed for students taking courses in electrical circuit analysis The book includes examples questions and exercises that will help electrical engineering students to review and sharpen their knowledge of the subject and enhance their performance in the classroom Offering detailed solutions multiple methods for solving problems and clear explanations of concepts this hands on guide will improve student s problem solving skills and basic understanding of the topics covered in electric circuit analysis courses

IBM Electronic Circuit Analysis Program Randall W. Jensen,Mark D. Lieberman,1968

Computational Electronic Circuits Sotoudeh Hamedi-Hagh,2021-08-01 This textbook teaches in one coherent presentation the three distinct topics of analysis of electronic circuits mathematical numerical algorithms and coding in a software such as MATLAB By combining the capabilities of circuit simulators and mathematical software the author teaches key concepts of circuit analysis and algorithms using a modern approach The DC Transient AC Noise and behavioral analyses are implemented in MATLAB to study the complete characteristics of a variety of electronic circuits such as amplifiers rectifiers hysteresis circuits harmonic traps and passes polyphaser filters directional couplers electro static discharge and piezoelectric crystals This book teaches basic and advanced circuit analysis by incorporating algorithms and simulations that teach readers how to develop their own simulators and fully characterize and design electronic circuits Teaches students and practitioners DC AC Transient Noise and Behavioral analyses using MATLAB Shows readers how to create their own complete simulator in MATLAB by adding materials learned in all 6 chapters of the book Balances theory math and analysis Introduces many examples such as noise minimization parameter optimization power splitters harmonic traps and passes directional couplers polyphase filters and electro static discharge that are hardly referenced in other textbooks Teaches how to create the fundamental analysis functions such as linear and nonlinear equation solvers determinant calculation random number generation and Fast Fourier transformation rather than using the built in native MATLAB codes

Linear Circuit Analysis Raymond A. DeCarlo, Pen-Min Lin,1995 The combined three volumes of these texts cover traditional linear circuit analysis topics both concepts and computation including the use of available software for problem solution where necessary The text balances emphasis on concepts and calculation so students learn the basic principles and properties that govern circuits behaviour while they gain a firm understanding of how to solve computational techniques they will face in the world of professional engineers

Advanced Circuits Bowen's Publishing Division,Robert Brownell Angus,2007-01-01 This text is an extension of those principles applied to steady state dc and sine shaped ac circuit analysis It describes how circuits and systems undergoing a variety of excitations both natural and forced may be analyzed using Laplace techniques This text is an

excellent introduction to more advanced texts involving electromechanical electronic and control systems Circuit analysis is applicable to many disciplines Today circuit analysis includes more than just components and circuits it can include devices and systems whose complexity ranges from a simple amplifier to the turning of an aircraft monitoring radar and the positioning of an entire aircraft carrier

Fundamentals of Circuit Analysis with Applications to Electronics James Fisk,1987
Catalog Issue Pratt Institute. School of Science and Technology,1926 *Operational Circuit Analysis* Vannevar Bush,Norbert Wiener,1929 *Circuit Analysis of A-C Power Systems...* Edith Clarke,1950 *Electronic Circuit Analysis and Design* Donald A. Neamen,2001 This junior level electronics text provides a foundation for analyzing and designing analog and digital electronic circuits Computer analysis and design are recognized as significant factors in electronics throughout the book The use of computer tools is presented carefully alongside the important hand analysis and calculations The author Don Neamen has many years experience as an engineering educator and an engineer His experience shines through each chapter of the book rich with realistic examples and practical rules of thumb The book is divided into three parts Part 1 covers semiconductor devices and basic circuit applications Part 2 covers more advanced topics in analog electronics and Part 3 considers digital electronic circuits

Yeah, reviewing a books **Advanced Circuit Analysis** could grow your near links listings. This is just one of the solutions for you to be successful. As understood, expertise does not suggest that you have extraordinary points.

Comprehending as competently as accord even more than further will come up with the money for each success. next-door to, the publication as skillfully as keenness of this Advanced Circuit Analysis can be taken as capably as picked to act.

<https://www.cruiselady.com/book/virtual-library/HomePages/activity%20masters%20precalculus%20with%20applications%20advanced%20mathematical%20concepts.pdf>

Table of Contents Advanced Circuit Analysis

1. Understanding the eBook Advanced Circuit Analysis
 - The Rise of Digital Reading Advanced Circuit Analysis
 - Advantages of eBooks Over Traditional Books
2. Identifying Advanced Circuit Analysis
 - Exploring Different Genres
 - Considering Fiction vs. Non-Fiction
 - Determining Your Reading Goals
3. Choosing the Right eBook Platform
 - Popular eBook Platforms
 - Features to Look for in an Advanced Circuit Analysis
 - User-Friendly Interface
4. Exploring eBook Recommendations from Advanced Circuit Analysis
 - Personalized Recommendations
 - Advanced Circuit Analysis User Reviews and Ratings
 - Advanced Circuit Analysis and Bestseller Lists
5. Accessing Advanced Circuit Analysis Free and Paid eBooks
 - Advanced Circuit Analysis Public Domain eBooks

- Advanced Circuit Analysis eBook Subscription Services
- Advanced Circuit Analysis Budget-Friendly Options
- 6. Navigating Advanced Circuit Analysis eBook Formats
 - ePub, PDF, MOBI, and More
 - Advanced Circuit Analysis Compatibility with Devices
 - Advanced Circuit Analysis Enhanced eBook Features
- 7. Enhancing Your Reading Experience
 - Adjustable Fonts and Text Sizes of Advanced Circuit Analysis
 - Highlighting and Note-Taking Advanced Circuit Analysis
 - Interactive Elements Advanced Circuit Analysis
- 8. Staying Engaged with Advanced Circuit Analysis
 - Joining Online Reading Communities
 - Participating in Virtual Book Clubs
 - Following Authors and Publishers Advanced Circuit Analysis
- 9. Balancing eBooks and Physical Books Advanced Circuit Analysis
 - Benefits of a Digital Library
 - Creating a Diverse Reading Collection Advanced Circuit Analysis
- 10. Overcoming Reading Challenges
 - Dealing with Digital Eye Strain
 - Minimizing Distractions
 - Managing Screen Time
- 11. Cultivating a Reading Routine Advanced Circuit Analysis
 - Setting Reading Goals Advanced Circuit Analysis
 - Carving Out Dedicated Reading Time
- 12. Sourcing Reliable Information of Advanced Circuit Analysis
 - Fact-Checking eBook Content of Advanced Circuit Analysis
 - Distinguishing Credible Sources
- 13. Promoting Lifelong Learning
 - Utilizing eBooks for Skill Development
 - Exploring Educational eBooks

14. Embracing eBook Trends

- Integration of Multimedia Elements
- Interactive and Gamified eBooks

Advanced Circuit Analysis Introduction

Advanced Circuit Analysis Offers over 60,000 free eBooks, including many classics that are in the public domain. Open Library: Provides access to over 1 million free eBooks, including classic literature and contemporary works. Advanced Circuit Analysis Offers a vast collection of books, some of which are available for free as PDF downloads, particularly older books in the public domain. Advanced Circuit Analysis : This website hosts a vast collection of scientific articles, books, and textbooks. While it operates in a legal gray area due to copyright issues, its a popular resource for finding various publications. Internet Archive for Advanced Circuit Analysis : Has an extensive collection of digital content, including books, articles, videos, and more. It has a massive library of free downloadable books. Free-eBooks Advanced Circuit Analysis Offers a diverse range of free eBooks across various genres. Advanced Circuit Analysis Focuses mainly on educational books, textbooks, and business books. It offers free PDF downloads for educational purposes. Advanced Circuit Analysis Provides a large selection of free eBooks in different genres, which are available for download in various formats, including PDF. Finding specific Advanced Circuit Analysis, especially related to Advanced Circuit Analysis, might be challenging as theyre often artistic creations rather than practical blueprints. However, you can explore the following steps to search for or create your own Online Searches: Look for websites, forums, or blogs dedicated to Advanced Circuit Analysis, Sometimes enthusiasts share their designs or concepts in PDF format. Books and Magazines Some Advanced Circuit Analysis books or magazines might include. Look for these in online stores or libraries. Remember that while Advanced Circuit Analysis, sharing copyrighted material without permission is not legal. Always ensure youre either creating your own or obtaining them from legitimate sources that allow sharing and downloading. Library Check if your local library offers eBook lending services. Many libraries have digital catalogs where you can borrow Advanced Circuit Analysis eBooks for free, including popular titles. Online Retailers: Websites like Amazon, Google Books, or Apple Books often sell eBooks. Sometimes, authors or publishers offer promotions or free periods for certain books. Authors Website Occasionally, authors provide excerpts or short stories for free on their websites. While this might not be the Advanced Circuit Analysis full book , it can give you a taste of the authors writing style. Subscription Services Platforms like Kindle Unlimited or Scribd offer subscription-based access to a wide range of Advanced Circuit Analysis eBooks, including some popular titles.

FAQs About Advanced Circuit Analysis Books

How do I know which eBook platform is the best for me? Finding the best eBook platform depends on your reading preferences and device compatibility. Research different platforms, read user reviews, and explore their features before making a choice. Are free eBooks of good quality? Yes, many reputable platforms offer high-quality free eBooks, including classics and public domain works. However, make sure to verify the source to ensure the eBook credibility. Can I read eBooks without an eReader? Absolutely! Most eBook platforms offer webbased readers or mobile apps that allow you to read eBooks on your computer, tablet, or smartphone. How do I avoid digital eye strain while reading eBooks? To prevent digital eye strain, take regular breaks, adjust the font size and background color, and ensure proper lighting while reading eBooks. What the advantage of interactive eBooks? Interactive eBooks incorporate multimedia elements, quizzes, and activities, enhancing the reader engagement and providing a more immersive learning experience. Advanced Circuit Analysis is one of the best book in our library for free trial. We provide copy of Advanced Circuit Analysis in digital format, so the resources that you find are reliable. There are also many Ebooks of related with Advanced Circuit Analysis. Where to download Advanced Circuit Analysis online for free? Are you looking for Advanced Circuit Analysis PDF? This is definitely going to save you time and cash in something you should think about. If you trying to find then search around for online. Without a doubt there are numerous these available and many of them have the freedom. However without doubt you receive whatever you purchase. An alternate way to get ideas is always to check another Advanced Circuit Analysis. This method for see exactly what may be included and adopt these ideas to your book. This site will almost certainly help you save time and effort, money and stress. If you are looking for free books then you really should consider finding to assist you try this. Several of Advanced Circuit Analysis are for sale to free while some are payable. If you arent sure if the books you would like to download works with for usage along with your computer, it is possible to download free trials. The free guides make it easy for someone to free access online library for download books to your device. You can get free download on free trial for lots of books categories. Our library is the biggest of these that have literally hundreds of thousands of different products categories represented. You will also see that there are specific sites catered to different product types or categories, brands or niches related with Advanced Circuit Analysis. So depending on what exactly you are searching, you will be able to choose e books to suit your own need. Need to access completely for Campbell Biology Seventh Edition book? Access Ebook without any digging. And by having access to our ebook online or by storing it on your computer, you have convenient answers with Advanced Circuit Analysis To get started finding Advanced Circuit Analysis, you are right to find our website which has a comprehensive collection of books online. Our library is the biggest of these that have literally hundreds of thousands of different products represented. You will also see that there are specific sites catered to different categories or niches related with Advanced Circuit Analysis So depending on what exactly you are searching, you will be able to choose ebook to suit your

own need. Thank you for reading Advanced Circuit Analysis. Maybe you have knowledge that, people have search numerous times for their favorite readings like this Advanced Circuit Analysis, but end up in harmful downloads. Rather than reading a good book with a cup of coffee in the afternoon, instead they juggled with some harmful bugs inside their laptop. Advanced Circuit Analysis is available in our book collection an online access to it is set as public so you can download it instantly. Our digital library spans in multiple locations, allowing you to get the most less latency time to download any of our books like this one. Merely said, Advanced Circuit Analysis is universally compatible with any devices to read.

Find Advanced Circuit Analysis :

activity masters precalculus with applications advanced mathematical concepts

ada guide to dental therapeutics pb 1998 1st edit

act of darkness

activities in space appropriation or use

acls case studies in hospital macintosh version

act y2k home survival guide

actors scenebook scenes for beginning actors to create

activity phonics builds better readers gr 3

actresses as working women their social identity in victorian england

acts in first person

action alphabet a preschool language ski honey bears

activities manual workbook/lab manual/dicho y hecho beginning spanish

activate your english intermediate a short course for adults

acsms getp 5/e reference cards

act one

Advanced Circuit Analysis :

Engineering Mechanics 4th Edition Textbook Solutions Access Engineering Mechanics 4th Edition solutions now. Our solutions are written by Chegg experts so you can be assured of the highest quality! Gere And Timoshenko Mechanics Of Materials Solution ... Nov 13, 2020 — Addeddate: 2020-11-13 14:30:20 ; Identifier: gere-timoshenko-mechanics-materials-solution-manual ; Identifier-ark: ark:/13960/t2f861165 ; Ocr ... Problem Set 2.1, Solutions, Engineering Mechanics ... Stephen

P Timoshenko Solutions Books by Stephen P Timoshenko with Solutions ; Mechanics of Materials 4th Edition 0 Problems solved, James M. Gere, Stephen P. Timoshenko, Stephen Timoshenko. Where can I find solutions for problems in 'Mechanics ... Nov 30, 2020 — ... solutions manual for Structural Analysis 4th Edition ... Where can I get SOLUTIONS MANUAL: Engineering Mechanics - Statics, 7th Ed (J. L. Meriam, ... Timoshenko Solutions Manual 5th Ed Recommend Stories · Timoshenko Solutions Manual 5th Ed · Timoshenko Solutions Manual 5th Ed · Solutions Manual welty 5th · Solution Manual Chengel 5th-Ed · [... Timoshenko Solutions Manual 5th Ed | PDF Timoshenko Solutions Manual 5th Ed - Free download as Word Doc (.doc), PDF File (.pdf), Text File (.txt) or read online for free. Engineering Mechanics: statics, Instructor's Solutions Manual ... We trust you find the Supplement a useful teaching tool. Instructor's Solutions Manual to Accompany Engineering Mechanics: Dynamics 4th EDITION ANDREW PYTEL ... Engineering Mechanics, solution, Problem 3.3, Timoshenko ...

Ayurveda & Aromatherapy: The Earth... by Dr. Light Miller This book is a collection of twenty-five years of healing experience using aromatherapy and Ayurveda. The book presents both sciences in a format for Westerners ... Ayurveda and aromatherapy: The earth... by Dr. Light Miller This book is a collection of healing experience using aromatherapy and Ayurveda. The book presents both sciences in format for Westerns. Ayurveda & Aromatherapy: The Earth Essential Guide to ... Ayurveda & Aromatherapy: The Earth Essential Guide to Ancient Wisdom and Modern Healing - Softcover ; Ayurveda & Aromatherapy Format: Paperback. Miller, Bryan. Ayurveda & Aromatherapy: The Earth Essential Guide ... This book integrates the ancient healing science of Ayurveda with the modern development of Aromatherapy. The authors have long term experience in clinical ... Ayurveda & Aromatherapy: The Earth Essential Guide ... Ayurveda & Aromatherapy This book integrates the ancient healing science of Ayurveda with the modern development of Aromatherapy. The authors have long term ... Ayurveda Aromatherapy. The Earth Essential Guide to ... Dr. Light Miller & Dr. Bryan Miller ... Synopsis: This book is a collection of twenty-five years of healing experience using aromatherapy and Ayurveda. "About ... Ayurveda & Aromatherapy (The EARTH Essentials Guide ... Helps you diagnose your metabolic type and apply healing modalities. This book title, Ayurveda & Aromatherapy (The EARTH Essentials Guide to Ancient Wisdom ... Ayurveda & Aromatherapy: The Earth Essential Guide to ... Ayurveda & Aromatherapy: The Earth Essential Guide to Ancient Wisdom and Modern ; Quantity. 1 available ; Item Number. 186148998519 ; ISBN. 9780914955207. Ayurveda and aromatherapy: The earth Essential Guide to ... This book is a collection of healing experience using aromatherapy and Ayurveda. The book presents both sciences in a format for westerners, It includes a self ... Ayurveda and Aromatherapy: The Earth Essential Guide to ... This book is a collection of twenty-five years of healing experience using aromatherapy and Ayurveda. It includes a self-diagnosis questionnaire to ... Elements of Literature: Student Edition Sixth Course Our resource for Elements of Literature: Student Edition Sixth Course includes answers to chapter exercises, as well as detailed information to walk you through ... Elements of Language: Sixth Course - 1st Edition Our resource for Elements of Language: Sixth Course includes answers to chapter

exercises, as well as detailed information to walk you through the process step ... Reading free Holt reader sixth course answers (Read Only) Mar 23, 2023 — Reading free Holt reader sixth course answers. (Read Only). Page 2. holt reader sixth course answers. 2023-03-23. 2/2 holt reader sixth course. Holt Elements of Literature - Holt Reading Solutions Holt Reading Solution provides the answers. This book provides tools for diagnosing and targeting skills deficiencies as well as lesson plans for managing the ... HOLT Vocabulary Workshop Sixth Course Answer Key Free ELA resources for PreK-12. Lessons, quizzes, worksheets, and more on grammar, phonics, literature, writing, and reading. Visit elafree.com now! Language & Sentence Skills Practice Answer Key 6th ... Textbook and beyond Language & Sentence Skills Practice Answer Key 6th Course (P) [0030665035] - 2002 Holt Literature & Language Arts / Holt Handbook Sixth ... Holt Elements of Literature: The Holt Reader, Adapted ... Jan 1, 2009 — Elements of The Holt Reader, Adapted Version, Teacher's Guide and Answer Key, Third through Sixth Course, 2009 (Paperback). 152 pages ... Holt Elements of Literature: The Holt... by G. Kylene Beers Holt Elements of Literature: The Holt Reader Teacher's Guide and Answer Key, Course 3-6 ; Language. English ; Publisher. HOLT, RINEHART AND WINSTON ; Publication ... Holt Elements Of Literature Courses 3 6 Adapted Reader ... Holt Elements Of Literature Courses 3 6 Adapted Reader Answer Key Grades 9 12 ... The Holt Reader Adapted Version, Sixth Course Holt Rinehart & Winston. Holt ... Grammar, Usage, and Mechanics: Language Skills Practice 1a. Page 9. GRAMMAR. 2. ELEMENTS OF LANGUAGE. Sixth Course. Copyright © by Holt ... answers very neatly. [The adverb very modifies the adverb neatly, telling to ...